



MPG Series

PC Case

MPG GUNGNIR 300R AIRFLOW

MPG GUNGNIR 300P AIRFLOW

MPG GUNGNIR 300R AIRFLOW WHITE

MPG GUNGNIR 300P AIRFLOW LITE

User Guide

Contents

Specifications.....	4
Accessories (300R)	7
Accessories (300P)	8
Case Features (300R)	9
Case Features (300P).....	10
Side and Front View	11
I/O and Buttons.....	12
Side Panel Removal.....	13
Front Bezel Removal	14
GPU Holder Removal.....	15
Cable Cover Removal.....	16
Motherboard Installation.....	17
Horizontal Graphics Card Installation.....	18
Vertical Graphics Card Installation (1)	19
Vertical Graphics Card Installation (2)	20
SSD Installation	21
HDD Installation.....	22
PSU Installation	23
Top Panel I/O Connection	24
Control Board Connection	25
Graphics Card Limitation.....	27
GPU Holder Installation.....	28
GPU Holder Position	29
GPU Holder Adjustment	30
GPU Support Arm Removal.....	31

Fan Compatibility and Setup.....32
Radiator Compatibility and Setup.....33
General Information34

Specifications

Comparison of Key Differences

Product Name	MPG GUNGNIR 300R AIRFLOW	MPG GUNGNIR 300R AIRFLOW WHITE	MPG GUNGNIR 300P AIRFLOW	MPG GUNGNIR 300P AIRFLOW LITE
Color	Black	White	Black	Black
Fan Configuration	Front: 3 x 120mm PWM ARGB Fans Rear: 1 x 120mm PWM ARGB Fan	Front: 3 x 120mm PWM ARGB Fans Rear: 1 x 120mm PWM ARGB Fan	Front: 3 x 120mm PWM Fans (non-ARGB) Rear: 1 x 120mm PWM Fan (non-ARGB)	Front: 3 x 120mm PWM Fans (non-ARGB) Rear: 1 x 120mm PWM Fan (non-ARGB)
LED Switch Button	Yes	Yes	No	No
Horizontal GPU Bracket	Pre-installed	Pre-installed	Included in accessory box	Included in accessory box
Vertical GPU Bracket	Included in accessory box	Included in accessory box	Pre-installed	Pre-installed
PCIe4.0x16 Riser Cable	Not included	Not included	Pre-installed	Not included

Basic Information

Case Type	Mid Tower
Dimensions (DxWxH)	505 x 235 x 510mm
Supported Motherboard Sizes	EATX*, ATX, Micro-ATX, Mini-ITX * EATX up to 280 x 305mm (12"x10.9")

Cooling Fan Support

Top	3 x 120mm or 2 x 140mm
Front	3 x 120mm or 3 x 140mm
Rear	1 x 120 / 140mm

PSU Shroud	2 x 120mm
Cable Cover	1 x 80mm* / 1 x 120mm * Pre-installed with an 80 mm fan in the 300P series.
Vertical GPU Bracket	2 x 60mm** (thickness: 15mm) ** pre-installed in the 300P series.

Expansion Slots

Horizontal GPU Bracket	7 slots
Vertical GPU Bracket	4 slots & equipped with 2 x 6015 fans* * 6015 fans are optional for 300R and pre-installed for 300P.

Drive Bays

2.5" SSD	4 (up to 8)* * Only supports up to 7 when using EATX motherboard
Combo 3.5"/2.5"	2

I/O Ports and Buttons

USB Ports	2 x USB 3.2 Gen1 Type-A, 1 x USB 3.2 Gen2x2 Type-C
Audio Ports	1 x Audio jack, 1 x Micphone jack
Buttons	1 x Reset button, 1 x Power button, 1 x LED switch button (300R)

Chassis Clearances


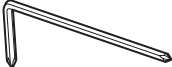







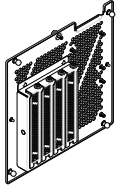
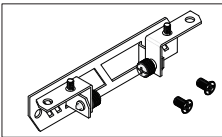
Maximum CPU Cooler Height	175mm
Maximum GPU Length	300R series: 360mm (GPU holder installed at right front) 340mm (GPU holder installed at right rear) 300P series: 338mm* (GPU holder installed at right front or right rear) * After removing the pre-installed 80mm fan, the maximum GPU length of the 300P series is the same as that of the 300R series.
Maximum GPU Width	142mm (Horizontal installed) 150mm (Vertical installed)
Maximum GPU Thickness	80mm

Radiator Support	Front: 360mm, Top: 360mm, Rear: 140mm
PSU Support	Above 220mm


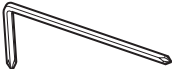








Materials

Steel Thickness	0.8mm
Tempered Glass	3mm
Front Bezel*	Perforated Metal Mesh + ABS * Removable for easy cleaning, with Ø1mm mesh holes that do not require a dust filter.
Top Bezel**	Metal ** Non-removable for airflow optimization
Dust Filter	Top: Magnetic filter Side: Magnetic filter Bottom: Plastic pull-out filter

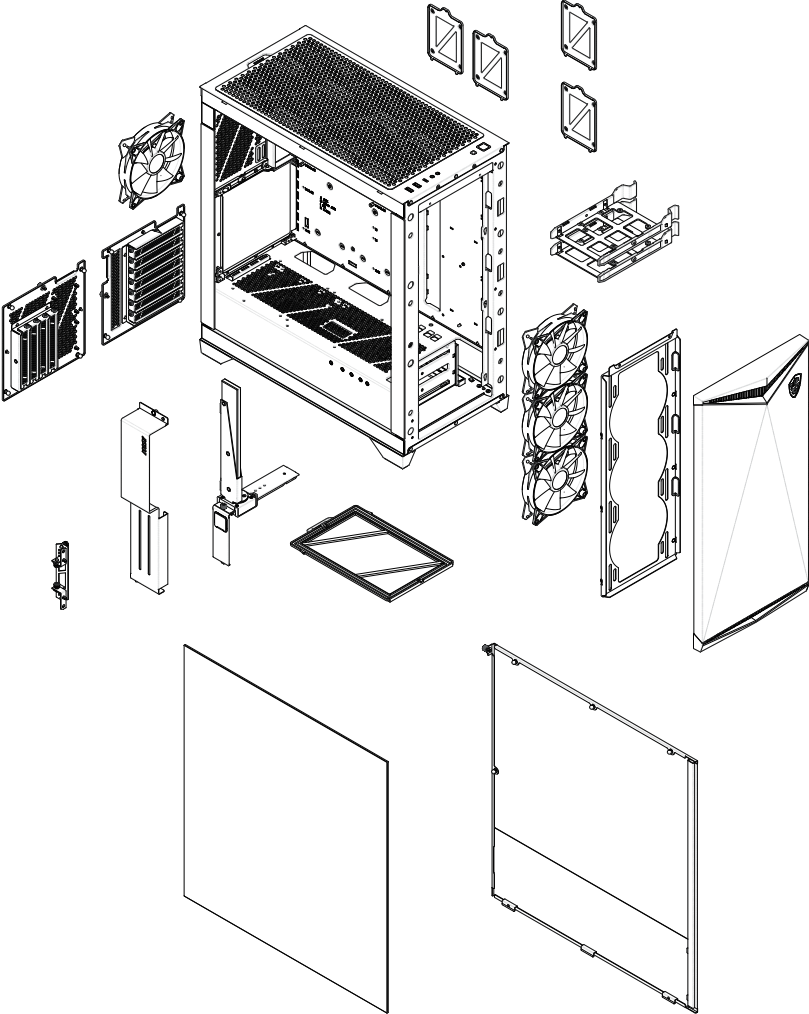
Accessories (300R)

Item	Name / Q'ty	Used for
	Cable ties x10	Cable management
	L-shaped Screwdriver x1	Securing vertical graphics card & bracket
	Screw M3 5mm x35	Motherboard / SSD / PCIe riser cable
	Screw #6-32 6mm x4	Securing PSU
	Screw #6-32 6mm x4	Securing HDD
	Screw #6-32 7.5mm x8	Securing liquid cooling radiator
	Screw #6-32 30mm x12	Securing liquid cooling radiator fan
	Stand-off #6-32 6.5mm x2	PCIe riser cable stand
	Stand-off Mounting Tool x 1	Securing motherboard / PCIe riser cable
	Vertical graphics card bracket x1	Securing vertical graphics card
	80mm/120mm fan mounting kit x1 [Bracket x1, Screw Ø5 8mm x4, Screw Ø9.5 14.5mm x2]	Securing 80mm/120mm fan

Accessories (300P)

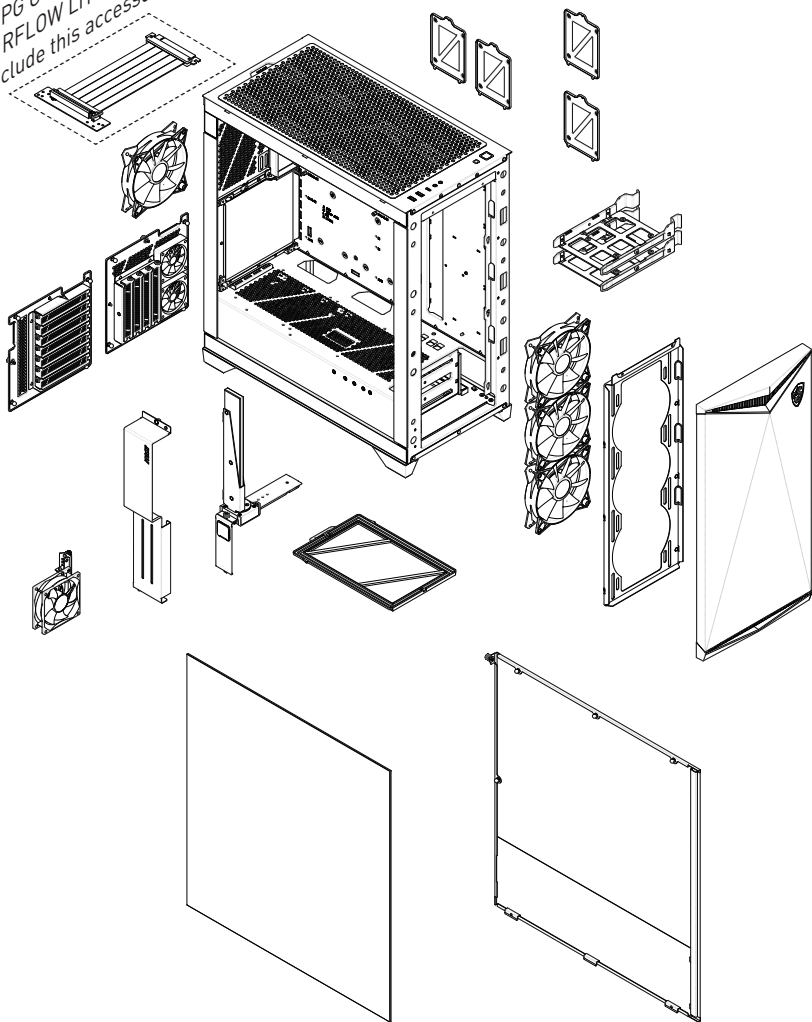
Item	Name / Q'ty	Used for
	Cable ties x10	Cable management
	L-shaped Screwdriver x1	Securing vertical graphics card & bracket
	Screw M3 5mm x35	Motherboard / SSD / PCIe riser cable
	Screw #6-32 6mm x4	Securing PSU
	Screw #6-32 6mm x4	Securing HDD
	Screw #6-32 7.5mm x8	Securing liquid cooling radiator
	Screw #6-32 30mm x12	Securing liquid cooling radiator fan
	Stand-off Mounting Tool x 1	Securing motherboard / PCIe riser cable
	Horizontal graphics card bracket x1	Securing horizontal graphics card
	Screw Ø5 8mm x2	Securing 80mm/120mm fan

Case Features (300R)

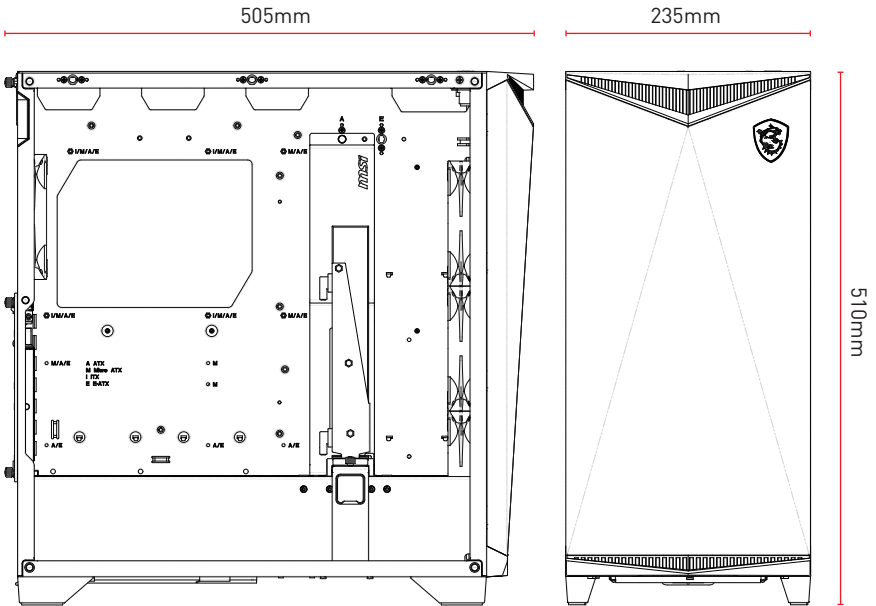


Case Features (300P)

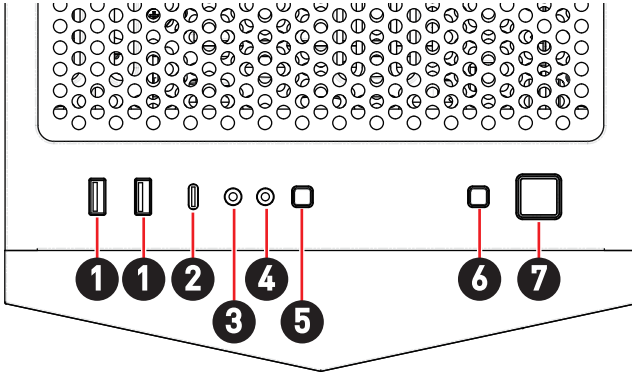
MPG GUNGNIR 300P
AIRFLOW LITE does not
include this accessory



Side and Front View

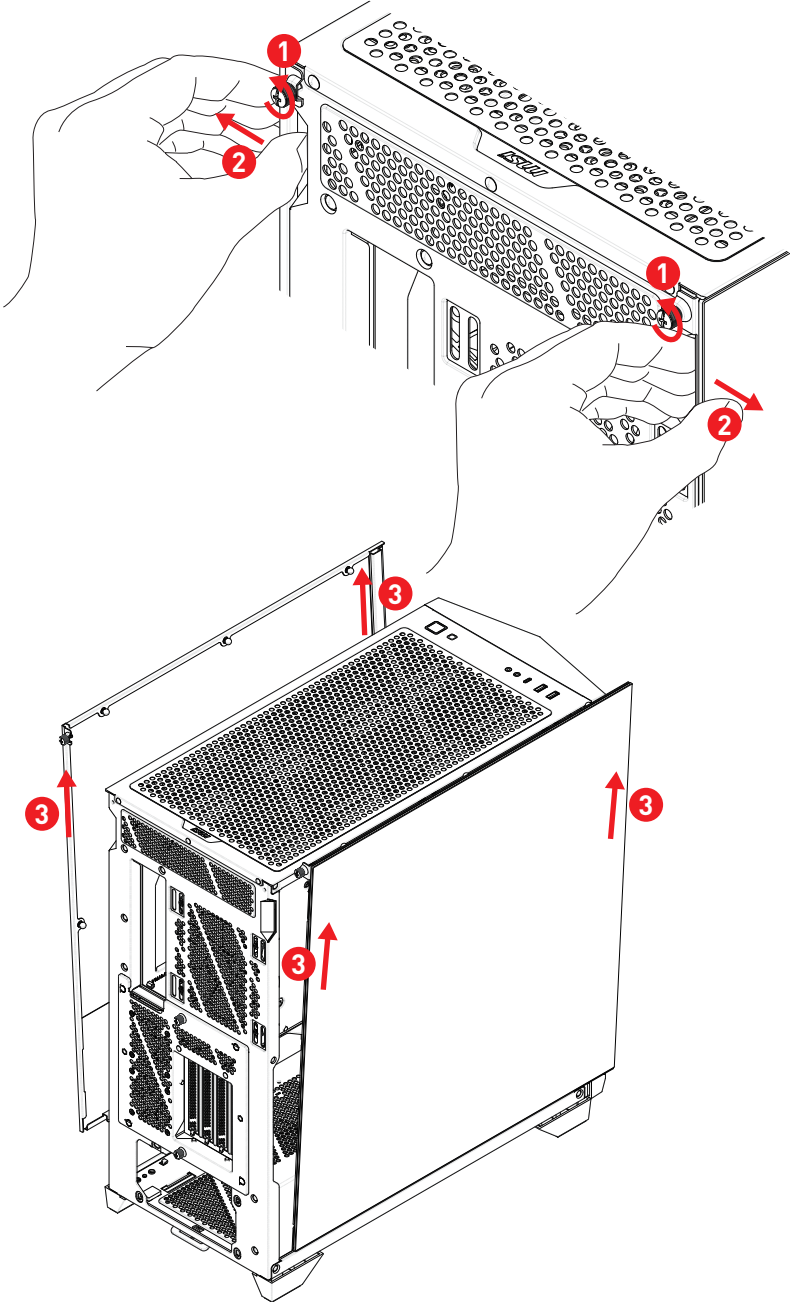


I/O and Buttons

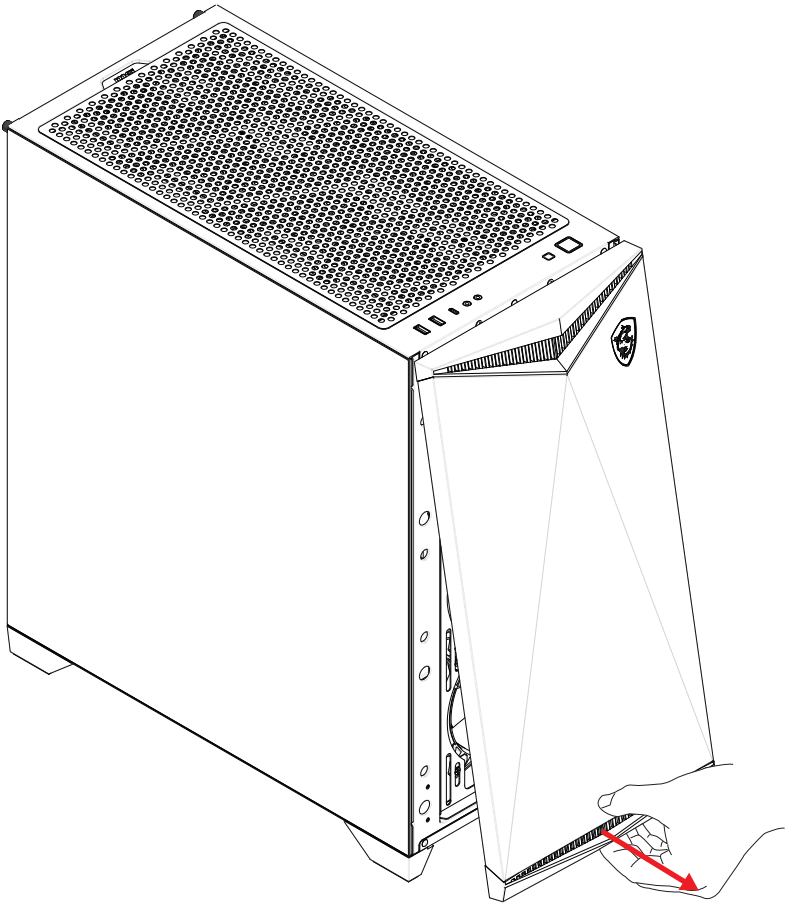


Item	Description
1	USB 3.2 Gen 1 5Gbps Type-A port
2	USB 3.2 Gen 2 10Gbps Type-C port
3	Microphone jack
4	Audio jack
5	LED switch button (only available on 300R series)
6	Reset button
7	Power button

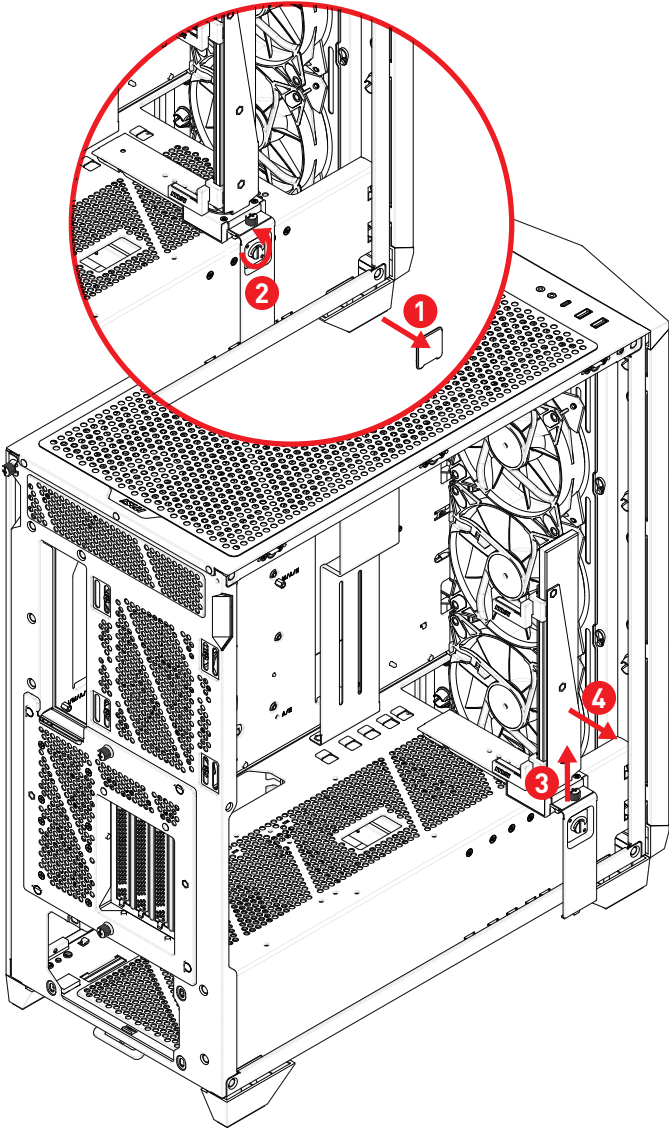
Side Panel Removal



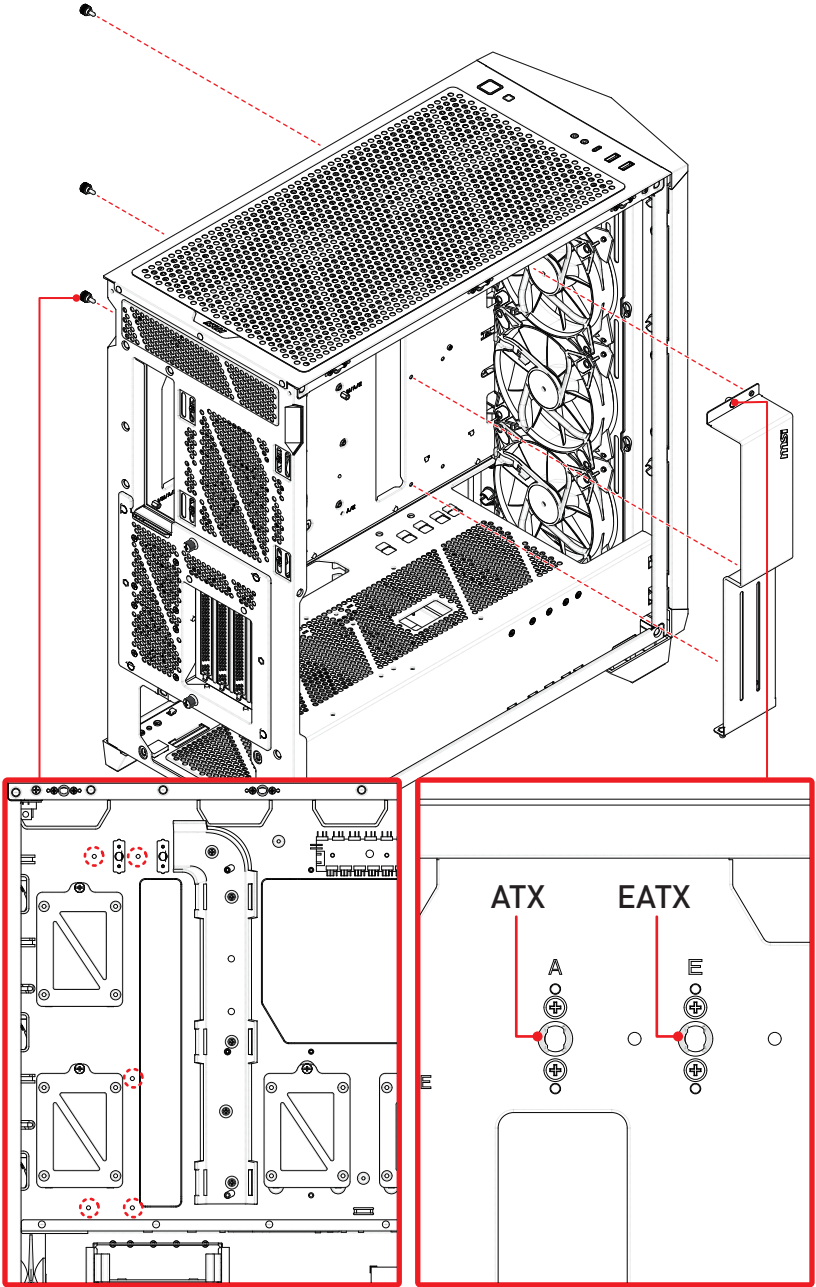
Front Bezel Removal



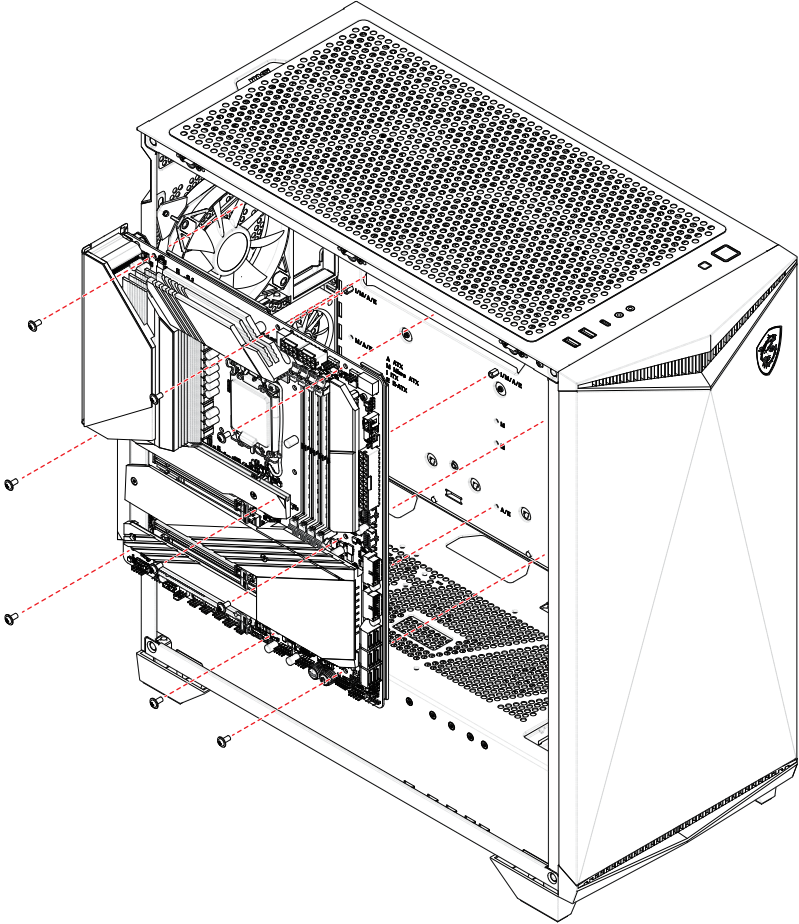
GPU Holder Removal



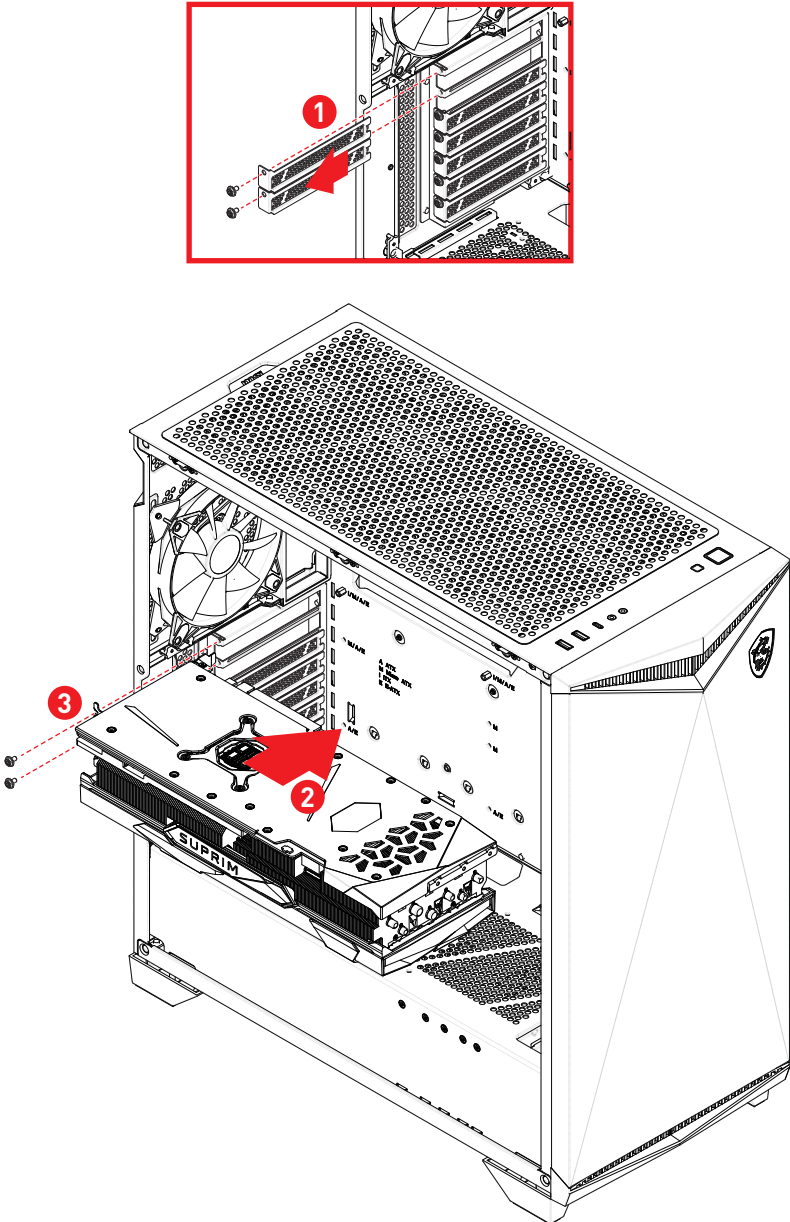
Cable Cover Removal



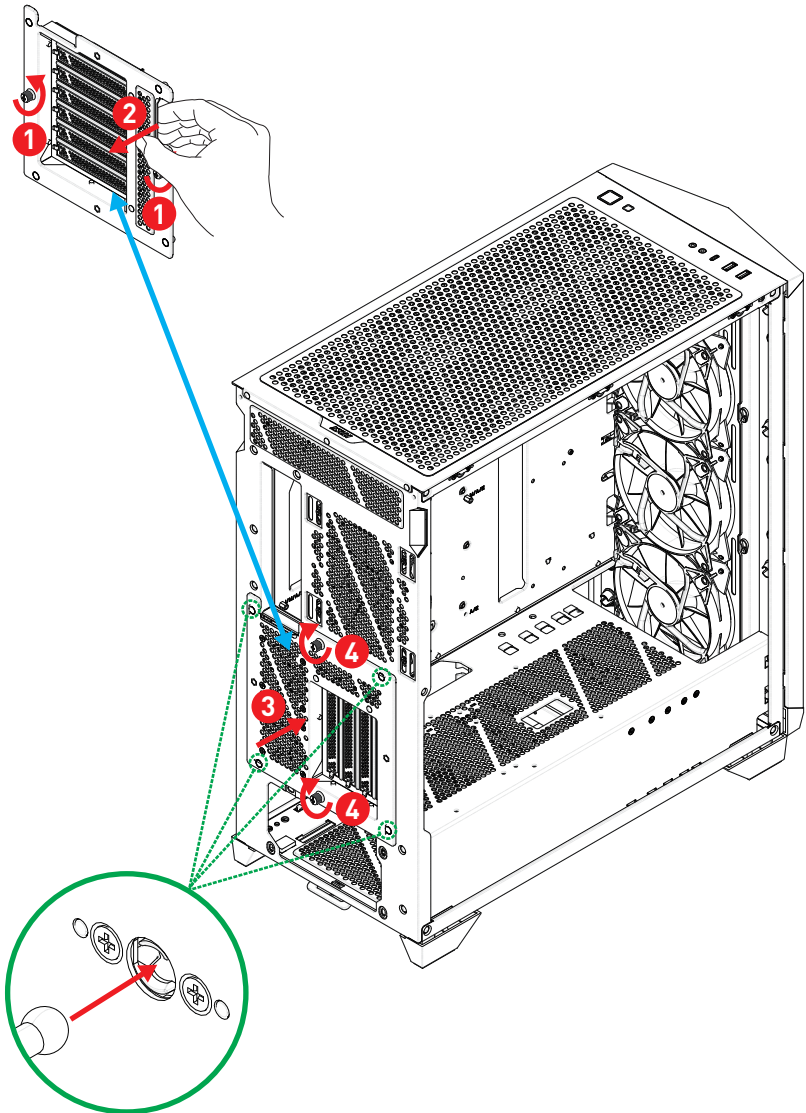
Motherboard Installation



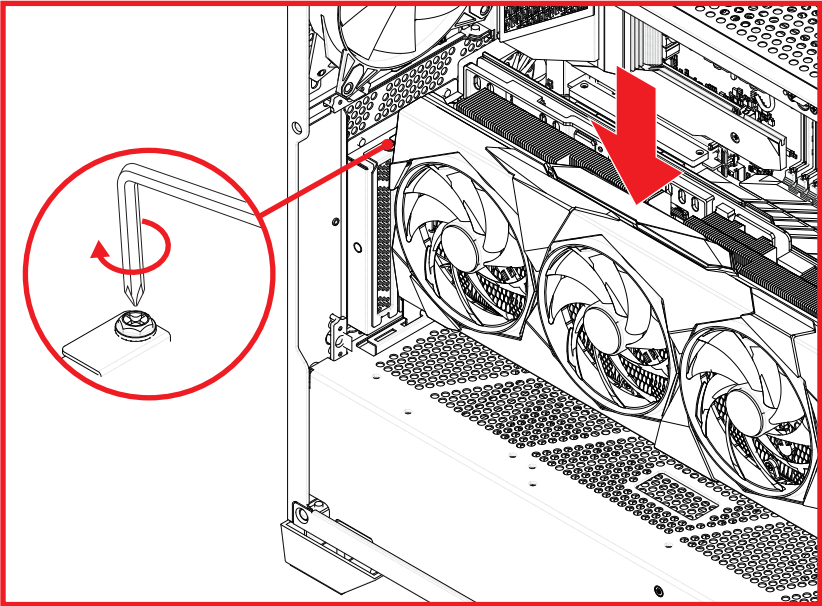
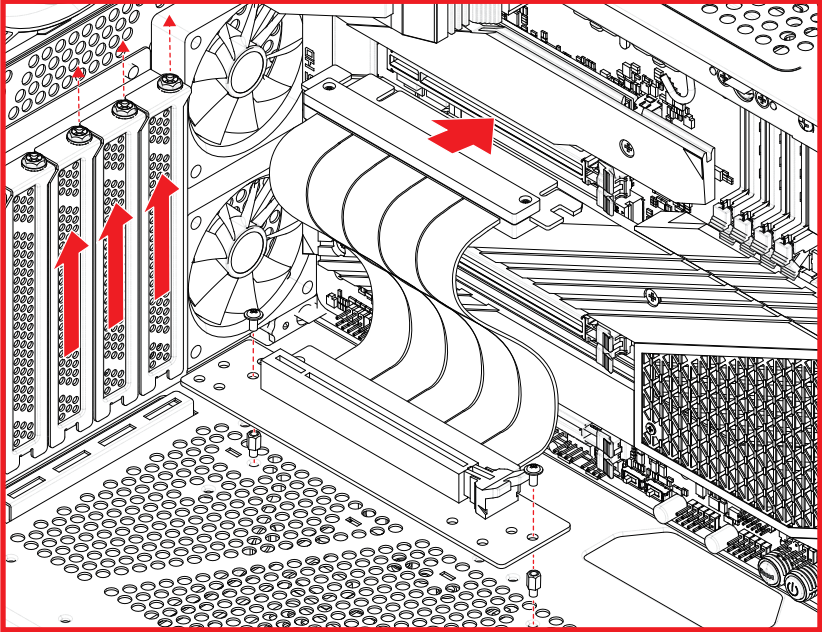
Horizontal Graphics Card Installation



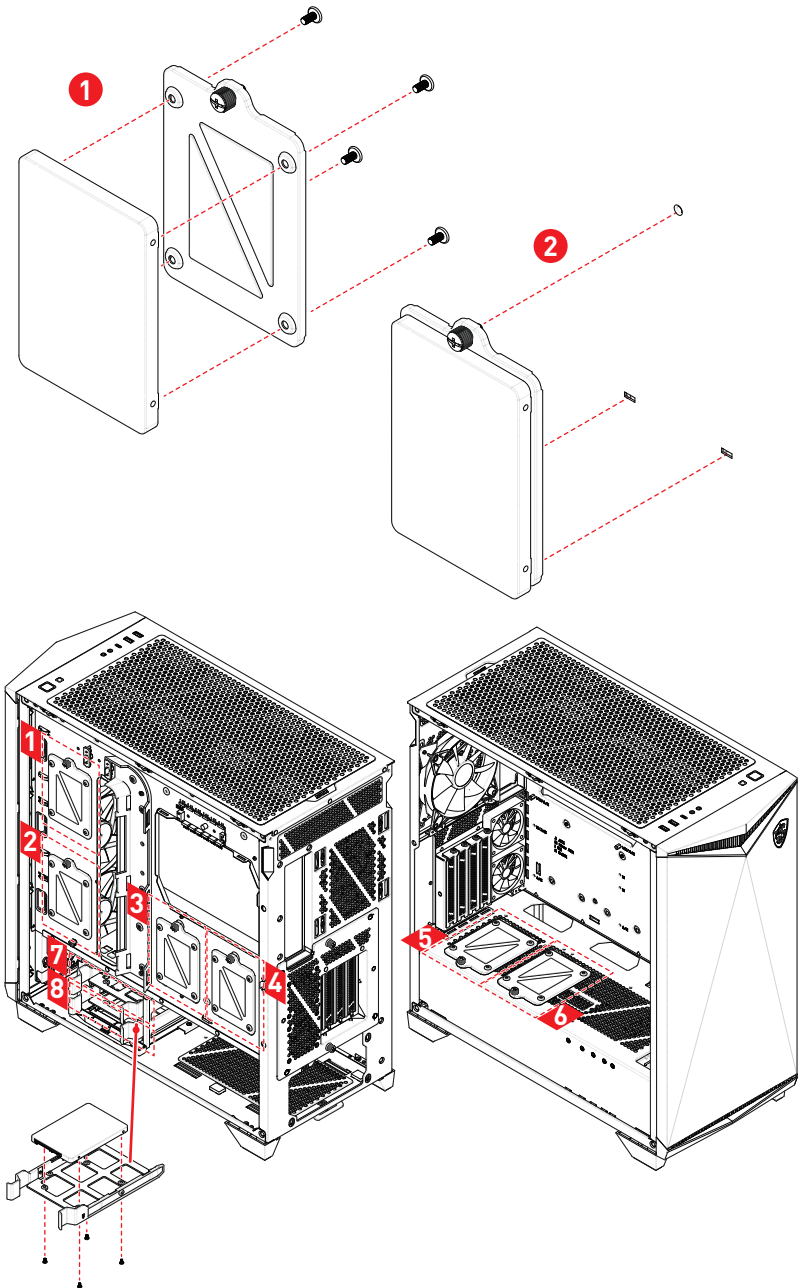
Vertical Graphics Card Installation (1)



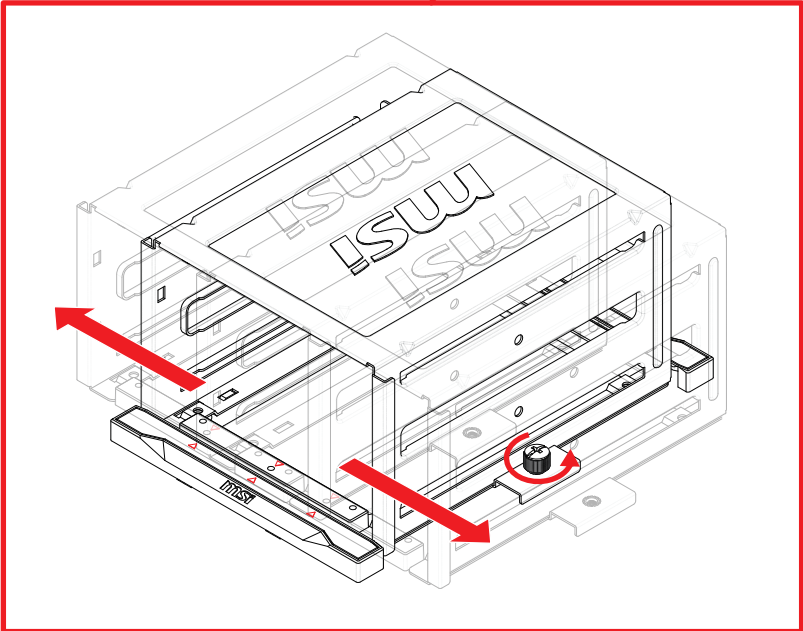
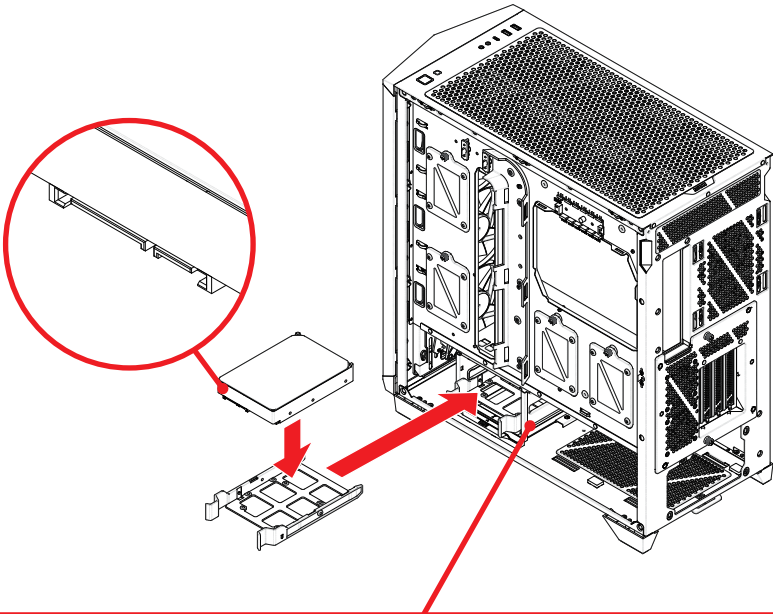
Vertical Graphics Card Installation (2)



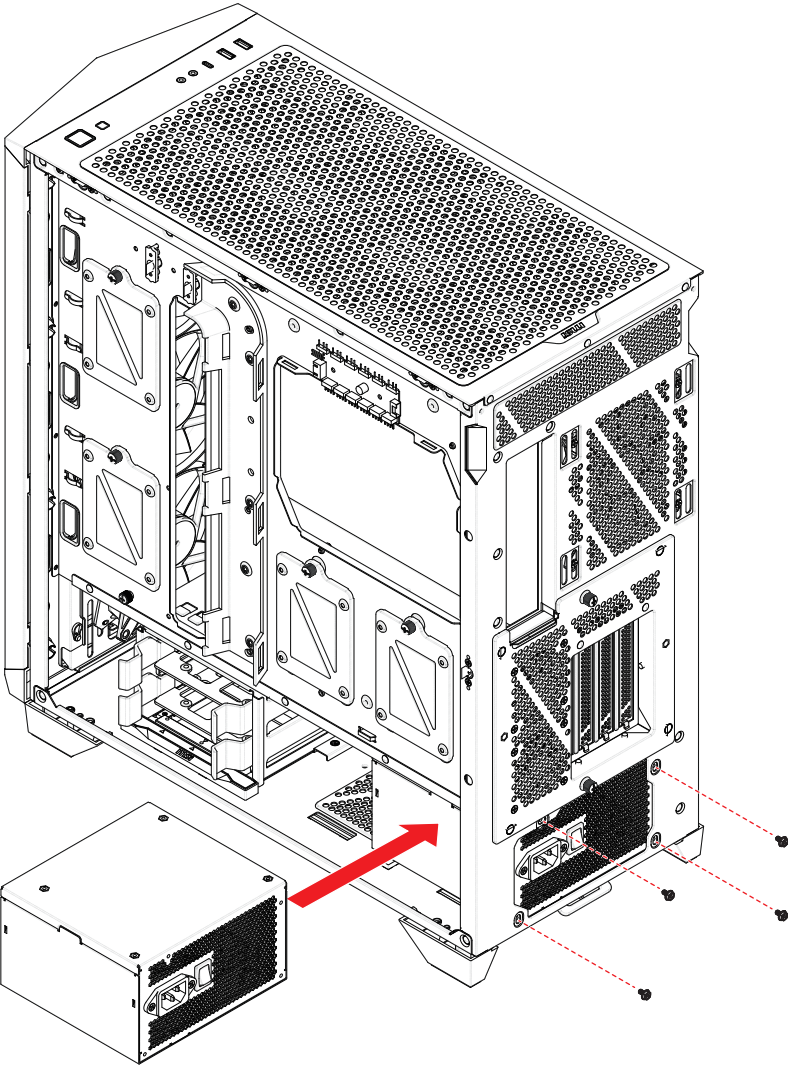
SSD Installation



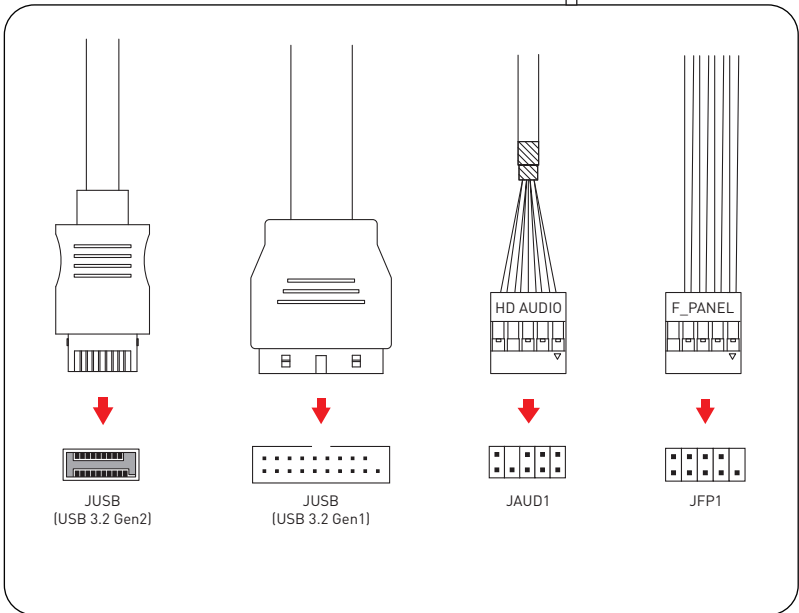
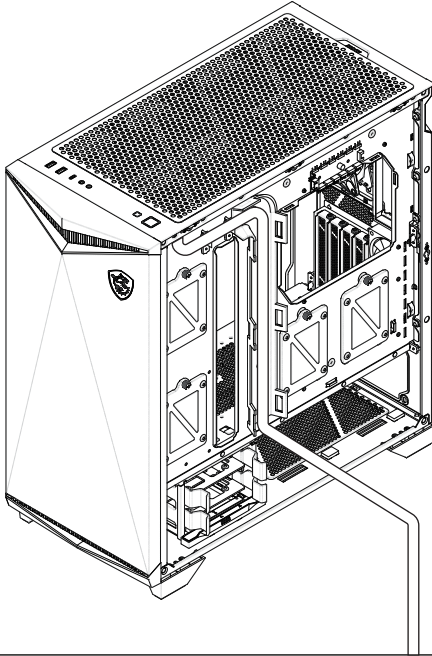
HDD Installation



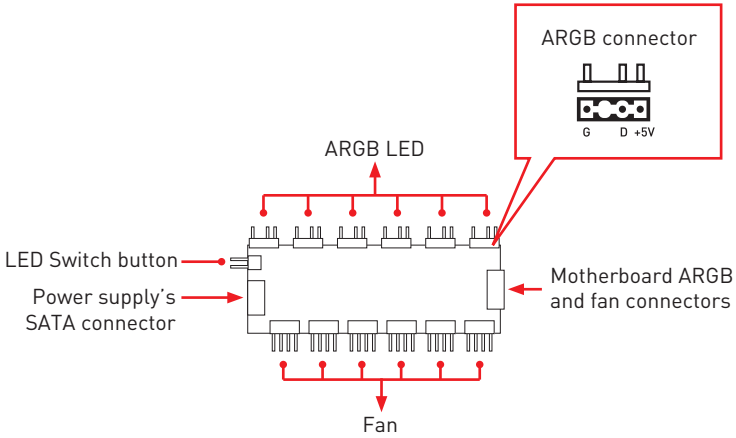
PSU Installation



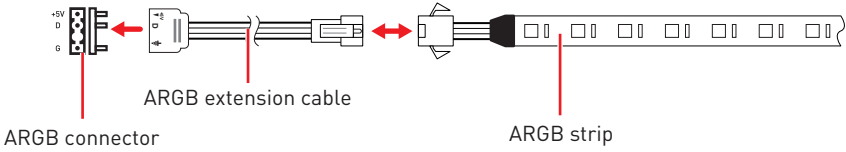
Top Panel I/O Connection



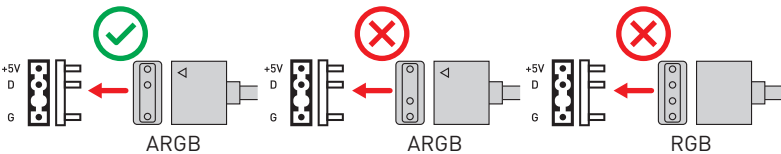
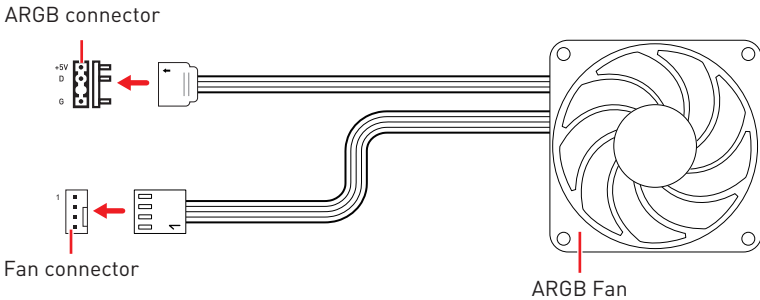
Control Board Connection



Addressable RGB LED Strip Connection



Addressable RGB LED Fan Connection



IMPORTANT

- Please always turn off the power supply and unplug the power cord from the power outlet before installing or removing the ARGB LED Strip.
- Supports a maximum of 156 LEDs. Exceeding this limit may result in overheating, abnormal colors, or malfunctions.
- Only compatible with 4-pin PWM fans.
- Please ensure all cables are securely connected before powering on.

LED Switch Button Function

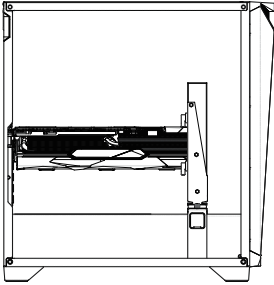
- Single press to toggle between LED effects.
- Long press for three seconds to sync with the motherboard.
- Long press for six seconds to turn off the lights. The lights will flash four times. To turn the lights back on, press the button once.

LED Effect Sequence

After pressing the LED Switch button, the LED effect sequence is as follows:

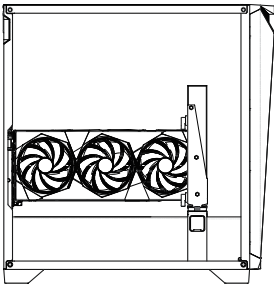
1	Solid red
2	Solid blue
3	Solid yellow
4	Solid green
5	Solid cyan
6	Solid orange
7	Solid purple
8	Solid white
9	8-color running effect (red, blue, yellow, green, cyan, orange, purple, white)
10	8-color breathing transition effect (red, blue, yellow, green, cyan, orange, purple, white)
11	8-color flowing effect (red, blue, yellow, green, cyan, orange, purple, white)
12	Green fading
13	Blue fading
14	Red fading
15	Dual-color running effect (red-blue, blue-yellow, yellow-green, green-cyan, cyan-orange, orange-purple, purple-white, white-red)
16	Rainbow color cycling (Default)

Graphics Card Limitation



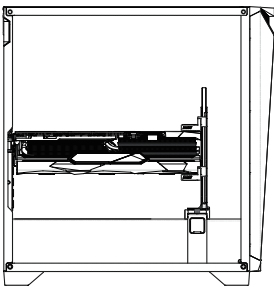
Horizontal GPU and GPU holder at right front Installation

- GPU Length:
 - Maximum up to 360mm (300R)
 - Maximum up to 338mm (300P)
- GPU Width (Horizontal): Maximum up to 142mm
- GPU Thickness: Maximum up to 80mm



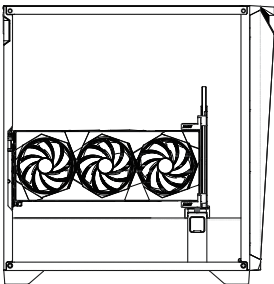
Vertical GPU and GPU holder at right front Installation

- GPU Length:
 - Maximum up to 360mm (300R)
 - Maximum up to 338mm (300P)
- GPU Width (Vertical): Maximum up to 150mm
- GPU Thickness: Maximum up to 80mm



Horizontal GPU and GPU holder at right rear Installation

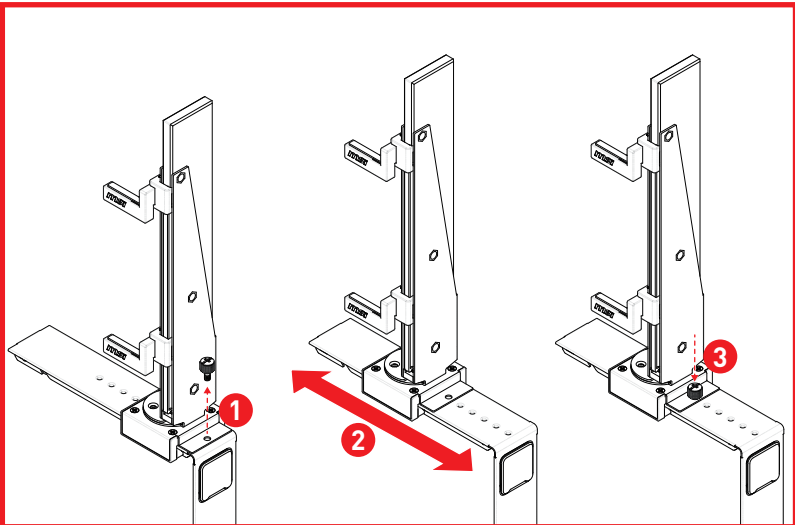
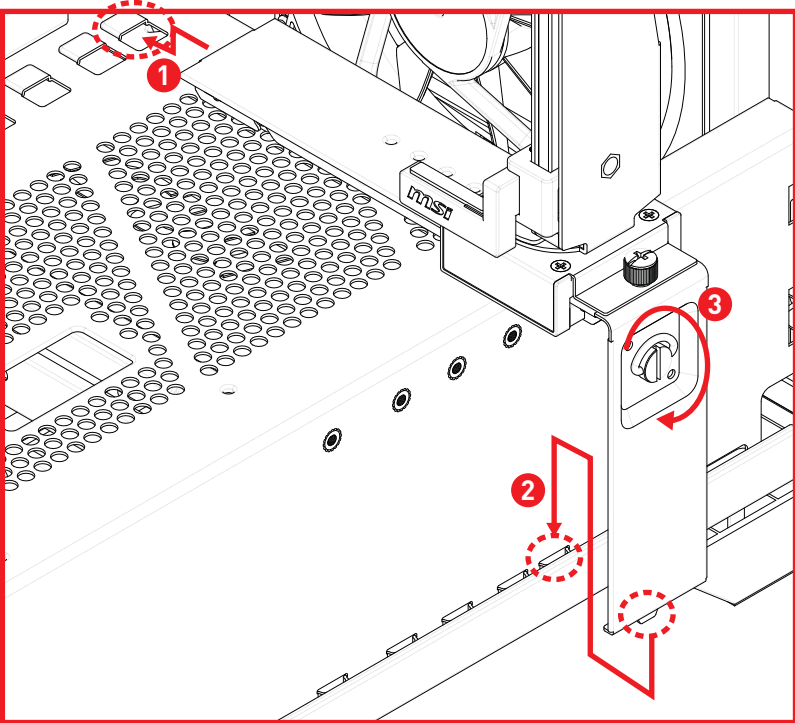
- GPU Length:
 - Maximum up to 340mm (300R)
 - Maximum up to 338mm (300P)
- GPU Width (Horizontal): Maximum up to 142mm
- GPU Thickness: Maximum up to 80mm



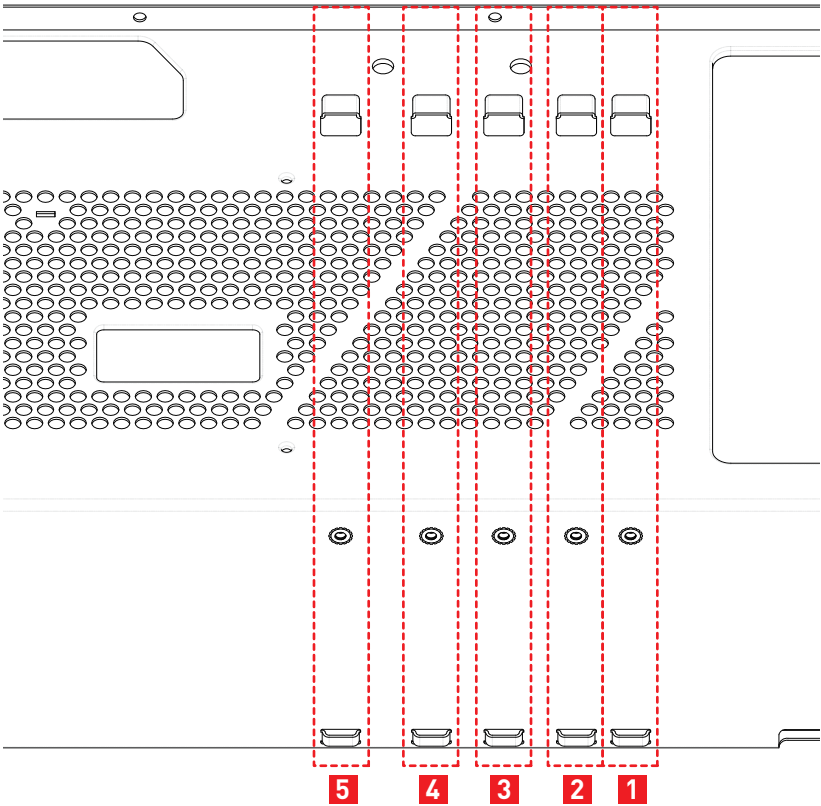
Vertical GPU and GPU holder at right rear Installation

- GPU Length:
 - Maximum up to 340mm (300R)
 - Maximum up to 338mm (300P)
- GPU Width (Vertical): Maximum up to 150mm
- GPU Thickness: Maximum up to 80mm

GPU Holder Installation

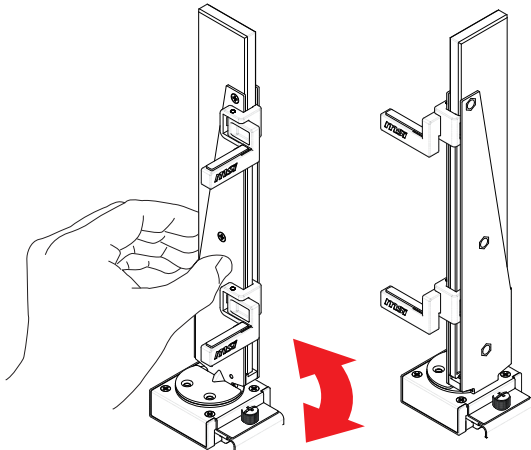
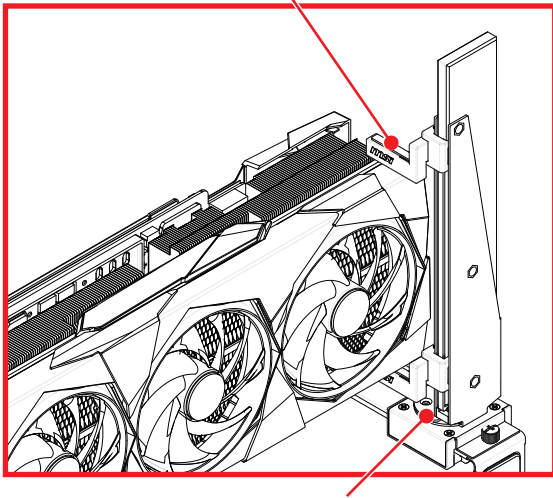
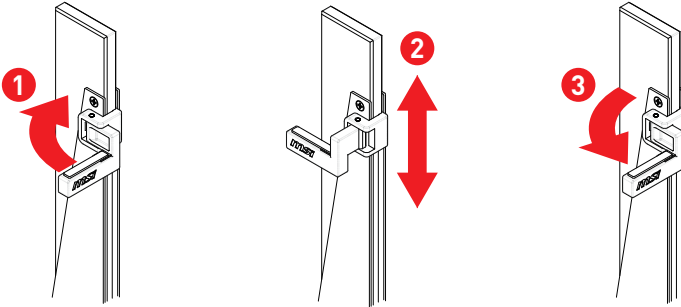


GPU Holder Position

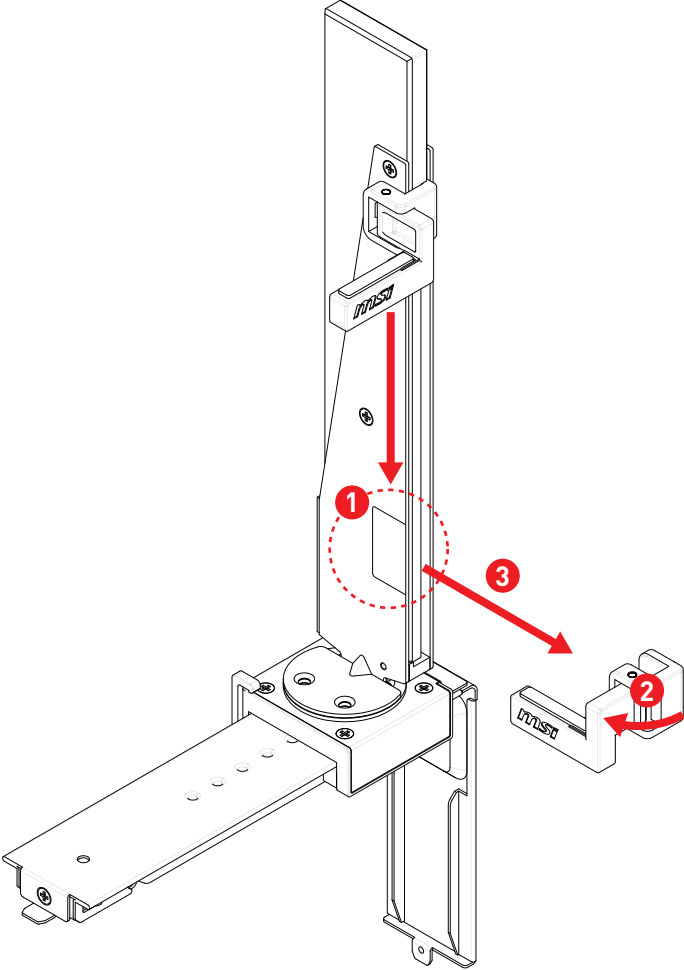


GPU Holder Position	Maximum GPU Length
Position 1	Less than 340mm
Position 2	Less than 330mm
Position 3	Less than 310mm
Position 4	Less than 290mm
Position 5	Less than 265mm

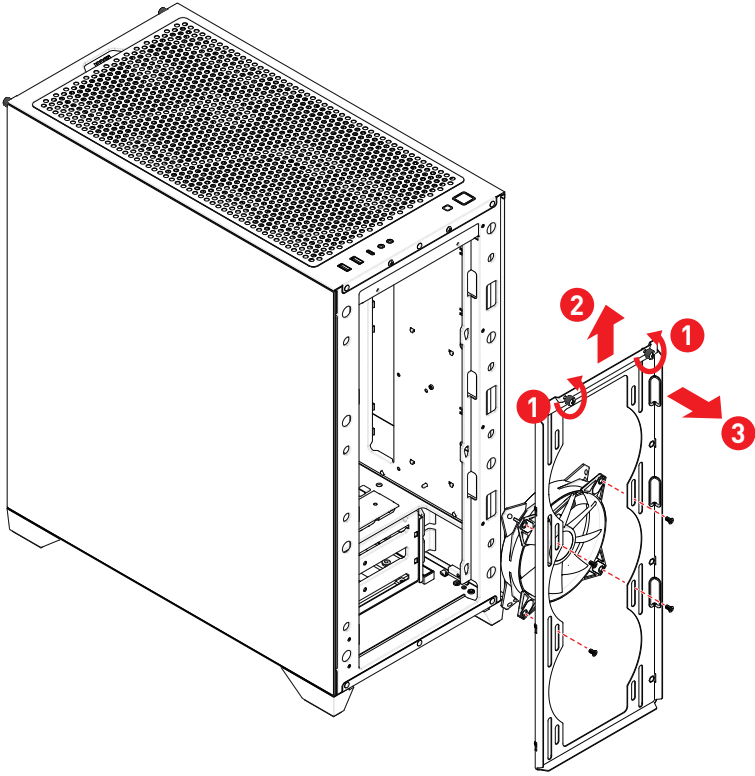
GPU Holder Adjustment



GPU Support Arm Removal

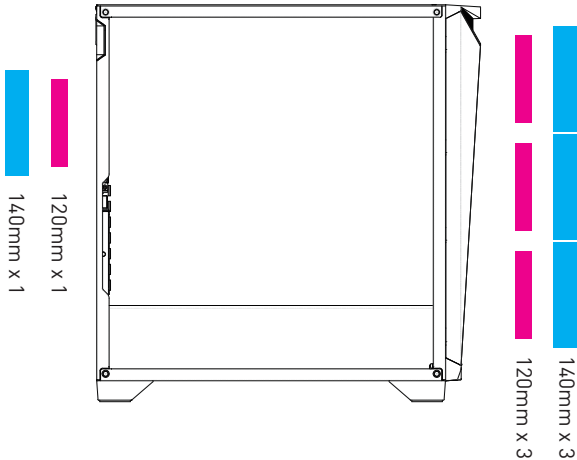


Fan Compatibility and Setup



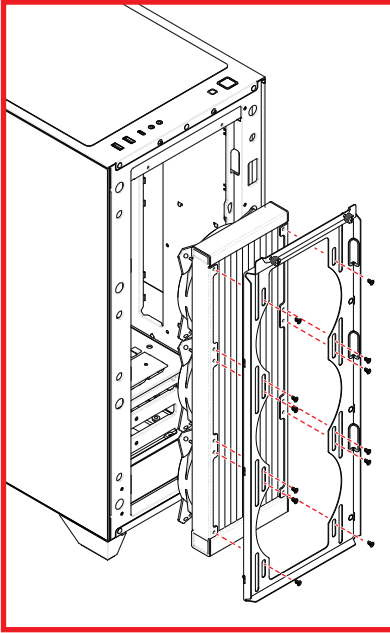
  140mm x 2

   120mm x 3

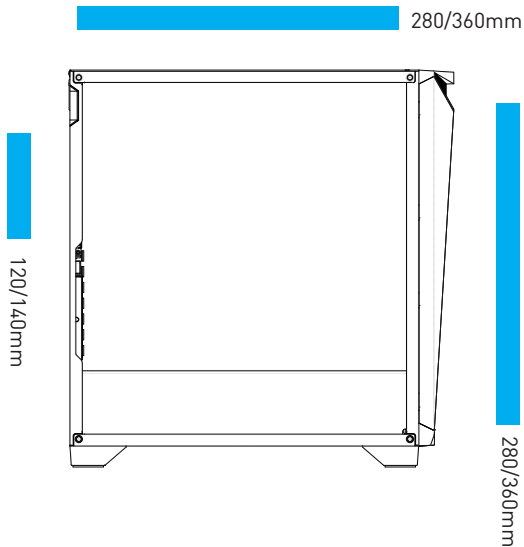
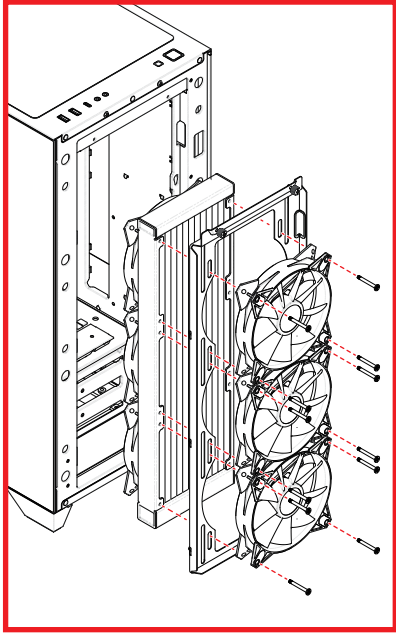


Radiator Compatibility and Setup

360mm Radiator Configuration



Push-Pull Radiator Configuration



General Information

Copyright and Trademarks Notice

Copyright © Micro-Star Int'l Co., Ltd. All rights reserved.

The MSI logo used is a registered trademark of Micro-Star Int'l Co., Ltd. All other marks and names mentioned may be trademarks of their respective owners. No warranty as to accuracy or completeness is expressed or implied. MSI reserves the right to make changes to this document without prior notice.

All text, images, illustrations, and other content in this manual are the property of MSI. No part of this manual may be reproduced, distributed, or used in any form without the written permission of MSI.

Revision History

- Version 1.0, 2023/07, First release.

