

**NBV 190 / 240**  
**PBT 230**

**Numatic**

numatic.com

**NUMATIC LITHIUM-ION BATTERY VACUUM**

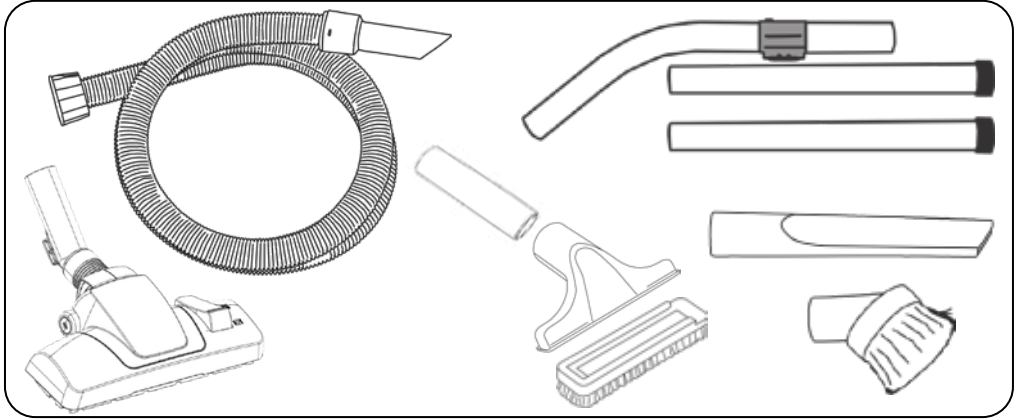


Original Instructions

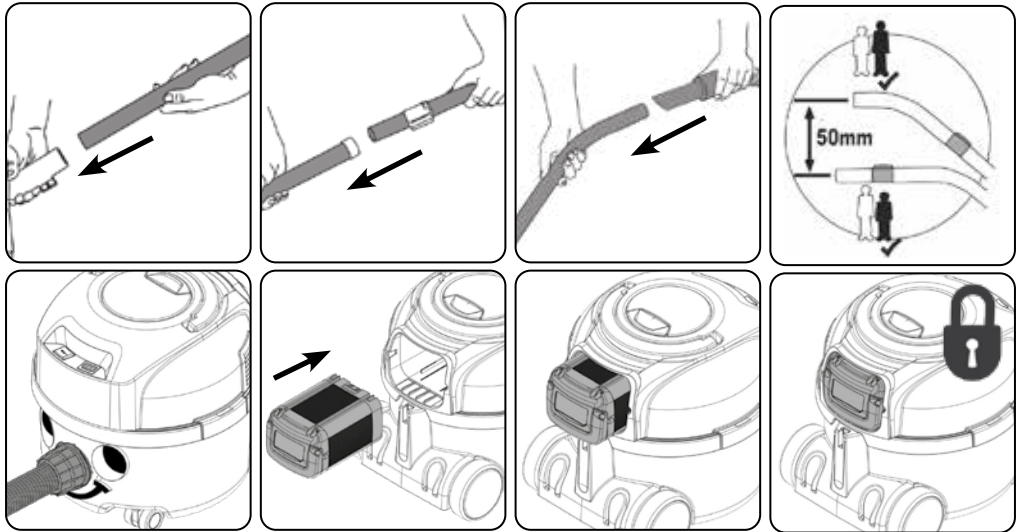
**CAUTION,**

*Read instructions before using the machine.*

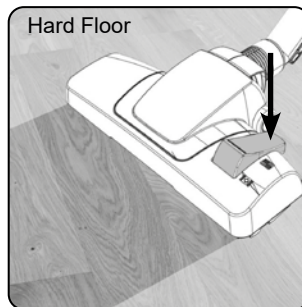
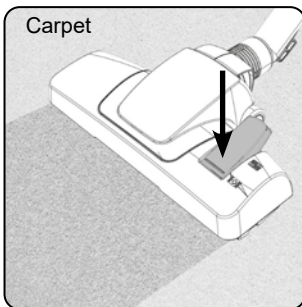
# Kit AS55



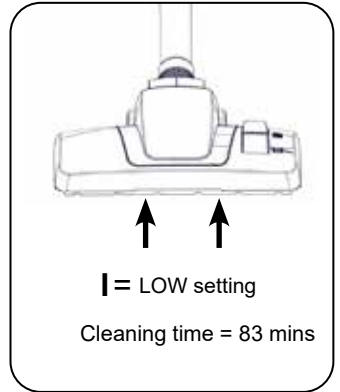
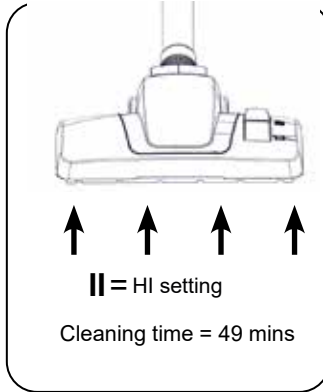
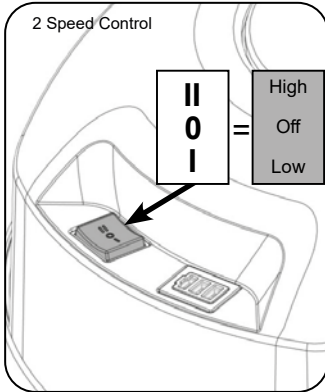
## Assembly



## Floortool adjustment

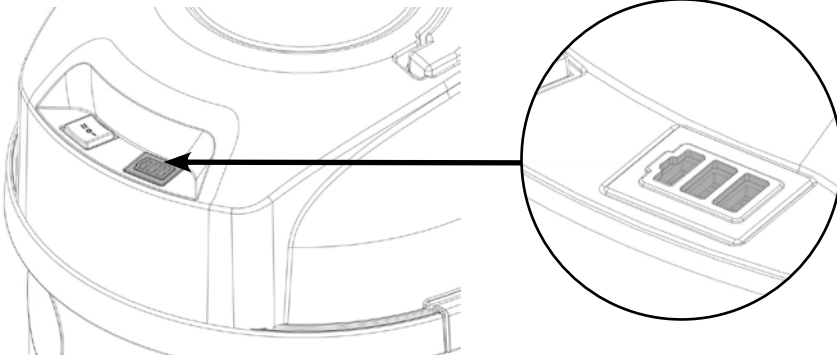


## Using the machine

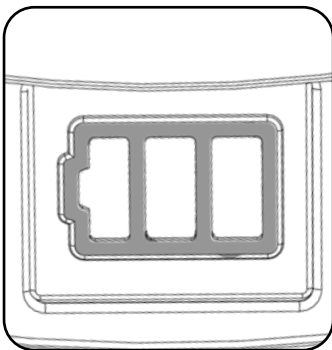


## Charging your battery

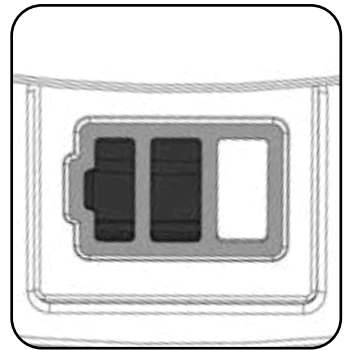
For information relating to the operation and charging of your battery please refer to the battery and charger original operating instructions



## Battery Status

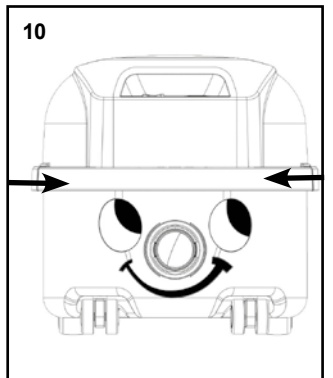
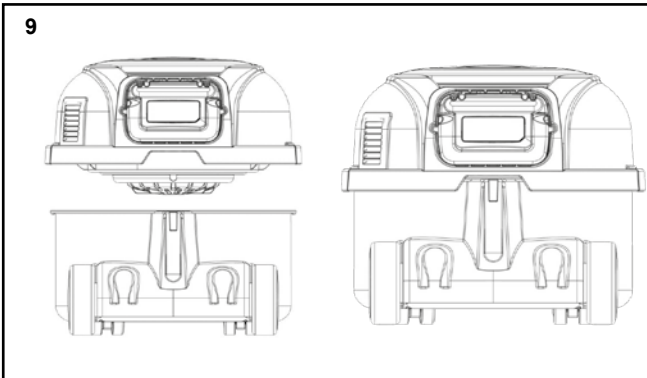
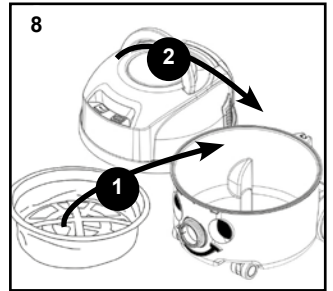
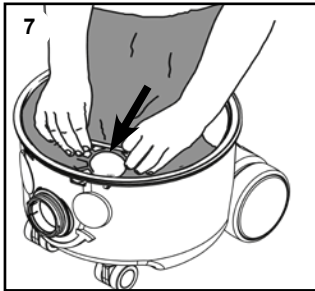
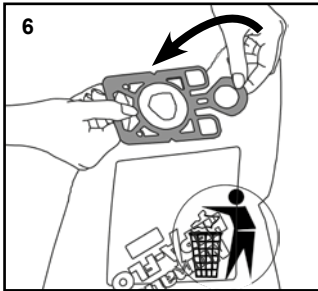
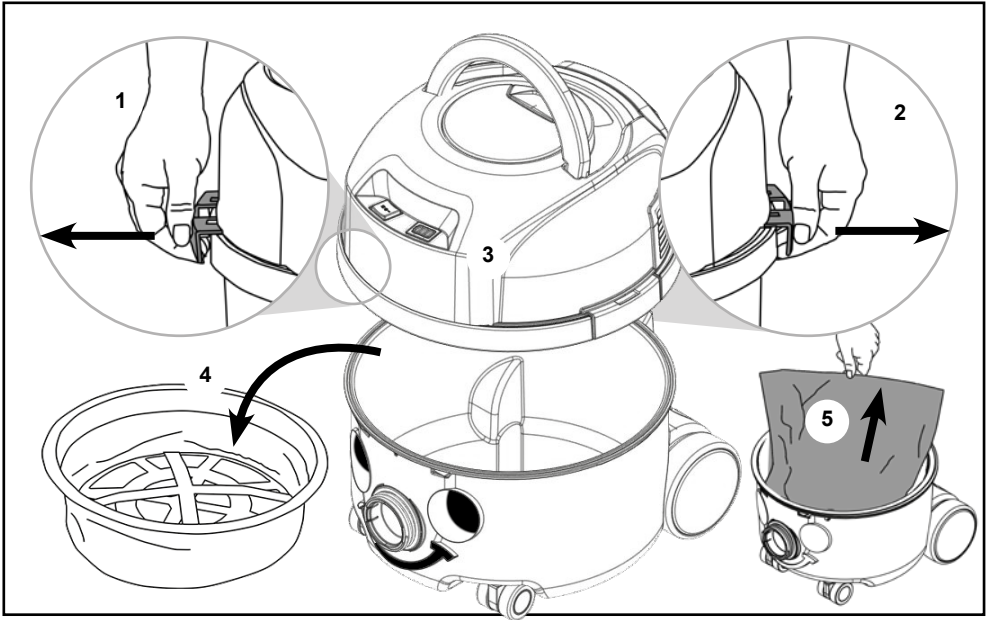


Fully charged

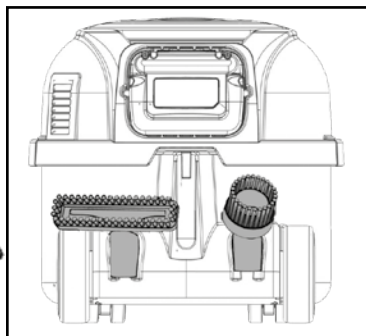
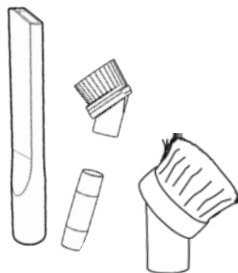
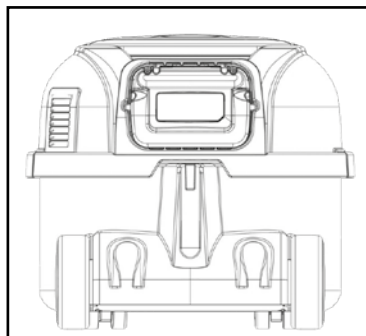


Low Battery

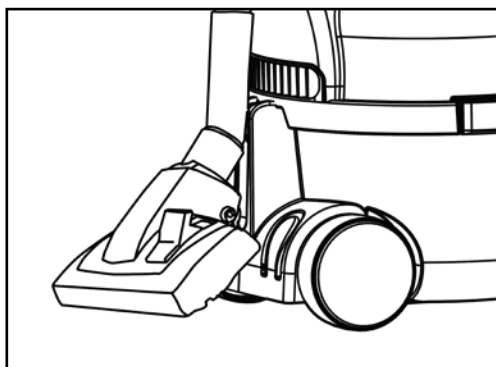
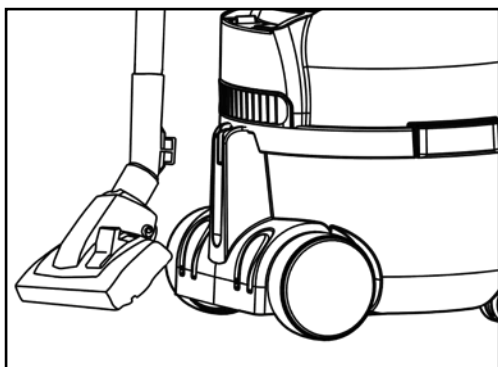
# Cleaning your machine



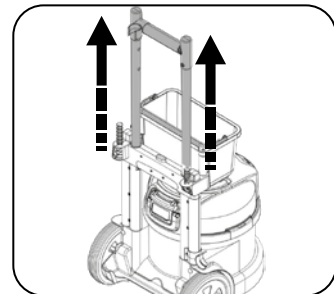
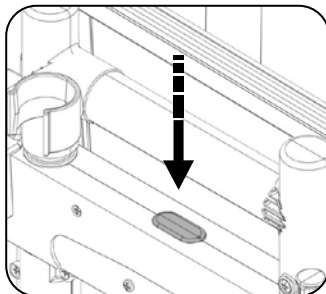
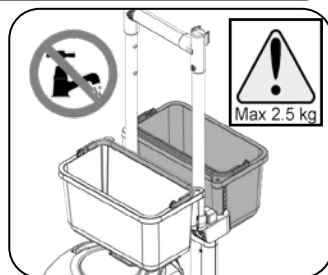
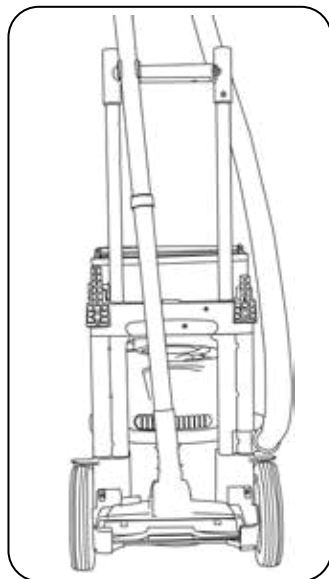
Tool Tidy



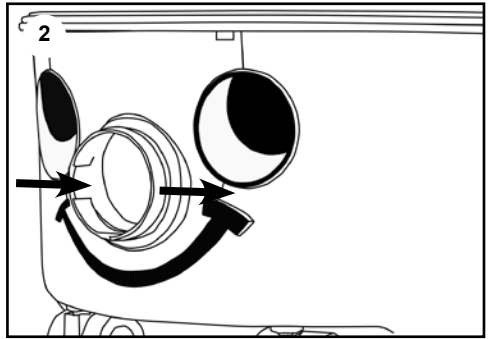
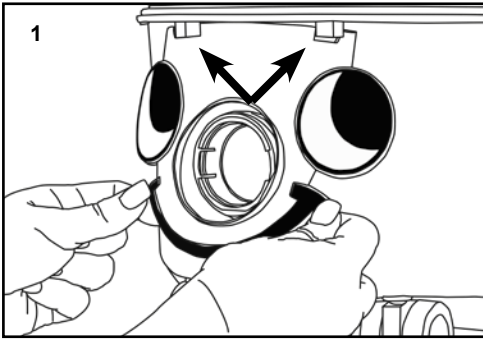
NBV Wand Docking



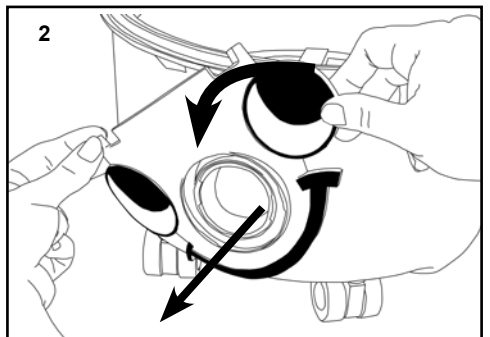
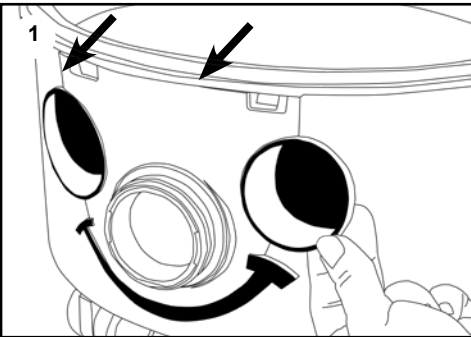
PBT 230



## Fitting the Face



## Removing the Face



## Data

	Voltage	Power Rating	Airflow	*Run time	Size
NBV190	36 V (DC)	350 W / 200 W	HI = 22.0 L/sec LO = 17.0 L/sec	*HI = 49 Mins *LO = 83 Mins	340 mm x 340 mm x 340 mm
NBV240					360 mm x 370 mm x 415 mm
PBT 230					400 mm x 450 mm x 615 mm
	Weight	Dust bag	Capacity	*Charge time	
NBV190	7.7 kg	NVM-1CH	8 L	*1hr to 80% charge – fast charger *2hrs to 100% charge – fast charger 4.5hrs to 100% charge – slow charger	
NBV240	8.1 kg		9 L		
PBT 230	10.5 kg		9 L		
Sound Pressure			*Run and Recharge times may vary dependent on ambient temperature.		
LpA ≤ 70 dB(A)					

1	Voltage / Direct Current
2	Rated input power
3	Weight (ready to work)
4	Company name & address
5	Model
6	Machine yr/wk Serial number
7	Approval Mark
8	WEEE Logo
9	Use Lithium-Ion Battery Only

Rating Label



PPE (personal protective equipment) That may be required for certain operations.

Ear Protection	Safety Footwear	Head Protection	Safety Gloves	
Eye Protection	Protective Clothing	Dust / Allergens Protection	Hi Viz Jacket	Caution Floor Sign

Note: A risk assessment should be conducted to determine which PPE should be worn.

**WEEE Legislation (Waste, Electrical and Electronic Equipment)**

Vacuum cleaner, accessories and packaging should be sorted for environmentally - friendly recycling.

**(Only for EU Countries)** Do not dispose of vacuum cleaner into household waste! According to the European Directive 2012/19/EU on waste electrical and electronic equipment and its incorporation into national law.

Vacuum cleaners that are no longer suitable for use must be separately collected and sent for recovery in an environmentally - friendly manner.



Failure to rectify the problem or in the event of a breakdown contact your Numatic dealer or the Numatic Technical helpline +44 (0)1460 269268

**Daily**

- Keep the machine clean, including hoses and tubes.
- Ensure the bag and filter are fitted.
- Regularly examine the charger.
- Check dust bag frequently.
- Check filters are clean.

**Weekly - as daily and:-**

- Check for any worn or damaged parts and replace immediately.
- Do not steam clean or pressure wash.

**Batteries**

Always recharge the batteries after use.



Safety Critical Components

Multi-Regional Charger (100-240V ~ 50/60 Hz)

Lithium- Ion Battery 5.2Ah

# Information for DRY use Vacuum cleaners

## WARNING!

Read the instruction manual before using the machine.

Operators shall be adequately instructed on the use of these machines, as with all electrical equipment, care and attention must be exercised at all times during use, you must also make certain that routine and preventative maintenance is carried out periodically to ensure safe operation.

Failure to carry out maintenance as necessary, including the replacement of parts to the correct standard could render this equipment unsafe and the manufacturer can accept no responsibility in this respect.

This machine is for DRY USE only.

You must remove the battery from the machine BEFORE cleaning or maintenance and when replacing parts or converting the machine to another function.

This appliance is intended to be assembled, cleaned and maintained by an adult.

This machine is not suitable for the collection of biological hazards, hazardous or explosive dusts.

Contact your local distributor if you require a machine capable of performing these tasks.

The machine must not be used by persons with reduced physical, sensory or mental capabilities, or lack of experience or knowledge, unless they have been given supervision or instruction.

This machine is not a toy; children shall not play with this machine.

## CAUTION

This machine must not be stored outside, or used in wet environments, or to collect wet materials.

The vacuum cleaner should be stored in a dry place and is for indoor use only.

You must ensure that the filtration system fitted to the machine is suitable for the material being collected.

## NOTES

This machine is also suitable for commercial use, for example in hotels, schools, hospitals, factories, shops, rental businesses and offices for other than normal housekeeping purposes.

This product complies with the requirements of clause 20 of IEC/EN 60335-2-69 Stability and Mechanical Hazards.

This vacuum cleaner is fitted with a thermal protection device. If the vacuum cleaner stops working, remove the plug from the wall before investigating where the fault lies.

If the vacuum cleaner has a blockage, switch off, remove the plug from the socket, inspect the floor tool, tubes and hose for debris. If the floor tool, tubes and hose are clear, replace the dust bag and clean the filter.

The vacuum cleaner should be inspected after use for damage.

The vacuum cleaner should be stored in a dry place.

## DO

- Keep your machine clean including hoses and tubes.
- Change dust bag frequently.
- Keep filters clean.
- Keep diffuser filter (where fitted) clean.
- Use filter bags, they will enhance performance and help keep machine clean.
- Use a Numatic Original filter bag under fine dust conditions.
- Keep hoses and tubes clear.
- Replace any worn or damaged parts immediately.
- Only use the socket outlet on the machine for purposes specified in the instructions.
- Only use the brushes provided with the machine. The use of other brushes may impair safety.
- Regularly examine the power cord. If damage is found such as cracking or ageing the power cord must be replaced by a qualified person.
- Only replace the power cord with the correct Numatic approved replacement part.

## DO NOT

- Pull on the cable to unplug the machine from the power supply.
- Use to suck up hot ashes or lighted cigarette ends.
- Use steam cleaners or pressure washers to clean the machine or use in the rain.
- Immerse in water for cleaning.
- Attempt machine maintenance or cleaning unless the power supply plug has been removed from the supply outlet.
- Use in wet environments or to collect wet materials.
- Under any circumstances place foreign objects including (but not limited to) air fresheners, air freshener capsules or scented beads of any type into the top filter of the machine. Doing so can be dangerous and risk damage to the machine and may invalidate the machine warranty.



## Information Warnings - Batteries

Read all the warnings before using the battery.

- The battery is equipped with electronic thermal protection, refer to the Temperature Range
- Table below for recommended operating conditions.
- Do not store batteries along with metal objects due to risk of short circuit.
- This cleaner uses Numatic Lithium-Ion batteries. Used batteries should be disposed of safely and placed in a sealed plastic bag and then handled according to all locally approved precautions and environmental regulations.
- Do not crush.
- Do not dismantle.
- Do not heat or incinerate the batteries.
- Do not short-circuit the batteries.
- Do not immerse in any liquid.
- Do not charge below 0°C.
- Do not charge damaged batteries.
- Use only original NUMATIC batteries, when replacement batteries are required.
- If the batteries are leaking, return batteries to a disposal plant or a similar local facility.
- The batteries must be removed from the appliance before the appliance is scrapped.
- The battery is to be disposed of safely and in accordance with all locally approved precautions and environmental regulations.

Temperature Range Table

Charging	0°C~40°C
Discharging	0°C~60°C
Storage	
Optimum	Below 20°C
Limit	Below 55°C

If the battery is found to be faulty at any time, contact Numatic International, or your supplier for information on disposal.

## Lithium-Ion Battery Warranty

### Warranty: Commercial Use

- Batteries are warranted (1 Year) providing all battery care rules are followed
  - To claim warranty the following details must be supplied
    - Serial number of the machine
    - Battery date code
    - Date purchased
    - Proof of Purchase
    - Maintenance history and charging regime
- Failure to use the correct Numatic charger will void your warranty.



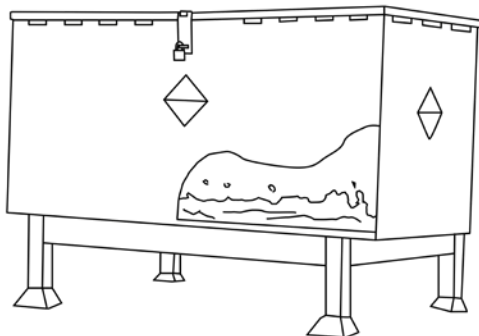
## Defective Batteries

### ATTENTION

Please follow all safety guidelines set out.

A defective battery should not be stored inside buildings on any account.

1. If a customer wishes to return a battery to a supplier, then collection of the battery must be arranged by the supplier, however, Faulty batteries must not be returned through the postal system or by courier.
2. If on return to a supplier, OR at a customer base, a suspected defective battery shows any signs of impact damage, distortion, blistering, loose parts or leakage then on no account should it be offered for condition checking. It must be considered defective and the procedures described from item 8 below should be followed.
3. If, on return to a supplier, OR at a customer base, a suspected defective battery, that shows No signs of impact damage, distortion, blistering, loose parts or leakage, may be offered for condition checking with an appropriate battery condition checking device operated by a competent person.
4. If checking shows the battery to be defective then the procedures described from item 8 below should be followed.
5. If on checking the battery is found to be operational then a single recharge cycle under observation can be attempted with the appropriate Numatic charger.
6. If the battery recharges correctly on this single recharge cycle then it can be deemed a good battery.
7. If the battery fails to recharge correctly on this single recharge cycle then it must be deemed a defective battery and the procedures described from item 8 below should be followed.
8. On no account must any further attempt to recharge be made.
9. A defective battery should not be stored inside buildings on any account.
10. The defective battery should be discharged by placing it in a container of salt water located in a well - ventilated area. This container should contain 25 litres minimum of saline water at a concentration of 15gr common salt / litre of water. The container should have a closed locked lid but should not be sealed. The battery should be left fully immersed in the water to a depth of at least 100mm for at least 2 weeks. The water should be disposed of as hazardous waste when the discharge is complete.
11. The defective discharged battery can then be stored in a locked battery waste container which should be plastic or plastic lined and placed away from buildings and clearly signed as a defective battery container with appropriate warnings.
12. The batteries should then be sent for waste disposal according with your country's waste regulations.



An example of a waste battery storage bin, keep well away from buildings.

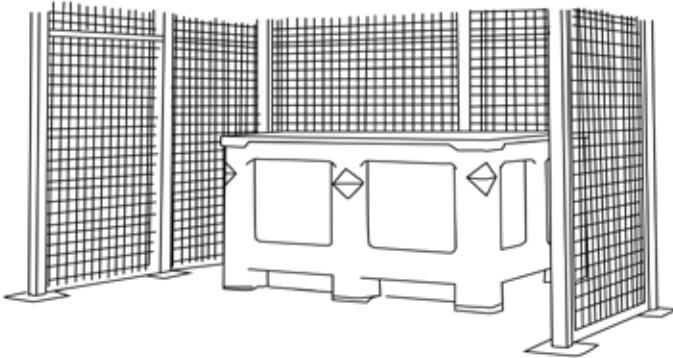
## ATTENTION

Please follow all safety guidelines set out.

Good batteries should be stored in a protected area away from sources of direct heat and sunlight and should be kept dry.

The temperature should not exceed 55 °C but preferably not be above 20 °C to maintain good battery performance.

Storage area should be of low humidity, non dusty and non corrosive atmosphere.



An example of a well protected area with a cage to protect against accidental impact damage and with the batteries stored in a protective container to protect from heat, impact and accidental spillage of liquids.

Care when handling / moving with forklift trucks or pallet trucks is needed at all times to avoid any physical damage to the batteries.

If a good battery at any time is mishandled or subjected to any conditions that may damage it, as described in the battery Instruction manual supplied, it must then be considered as defective and procedures followed from Item 2 of this document overleaf

### Important Warnings - Charger

Read all these warnings before using the charger.

- CAUTION! Charge only Numatic Lithium-Ion batteries, other types of batteries may burst causing personal injury and damage.
- Check the mains cord regularly for any sign of damage.
- Do not use damaged devices.
- If the mains cord of the charger is damaged, it must be replaced by an original NUMATIC INTERNATIONAL cord available from the manufacturer or service agent.
- Protect the charger against moisture and store it in a dry place.
- Do not use the charger if it is wet.
- Do not charge below 0°C.
- The mains voltage available must correspond to the voltage stated on the rating plate of the charger.
- Do not operate charger in explosive environment.
- Do not carry the charger by holding the mains cord.
- Do not handle the electrical cord or plug, with wet hands.
- Do not unplug by pulling on cord. To unplug, grasp the plug, not the cord.
- Do not cover the charger.
- Do not open the charger. Repairs shall be done only by authorised personnel.
- Do not charge damaged batteries.
- Do only charge dry batteries.
- Do not charge non-rechargeable batteries in this charger.
- The appliance is not intended for use by children or infirmed persons without supervision.

Warning: The battery included in this product must only be charged by the Numatic Charger and docking system supplied with the product and in NO circumstances should an alternative non Numatic charger be used as there is risk severe damage and fire could result.

## Instructions for Use - Charging Batteries

The charger is intended for use only on flat surfaces, place horizontally on floor or work surface.

The charger is intended for use with the detachable power cord supplied, the power unit is capable of operating at different voltages without user adjustment.

If the charger is damaged or does not charge anymore, please return to service centre.

### Charging Procedure:

1. Ensure the battery is fully inserted into the charger.
2. Fit the mains power cord to charger and suitable power supply.
3. Please Note: If the battery is above its optimum charging temperature (due to ambient temperature or if it was recently discharged) the charger LED will illuminate on/off RED for a maximum of 40 minutes whilst the battery temperature falls to an acceptable level for charging to begin.
4. The LED should show RED to indicate charging.
5. Once fully charged the LED will show GREEN.
6. If power is supplied to the charger with no battery fitted the LED will show GREEN to indicate STAND-BY status.

## Hazards

Health Hazards (Acute & Chronic).

The chemicals used in the battery are in a sealed container.

Risk of exposure only occurs if the battery is abused or damaged.

Contact of electrolyte and lithium with skin and eyes should be avoided.

Signs & Symptoms of Exposure.

A damaged or leaking battery can cause chemical burns upon contact.

## First Aid Measures

If exposed to any of the Chemicals mentioned in the Hazards section please follow the procedures below:

### Eyes.

Flush eyes with plenty of water for at least 15 minutes, occasionally lifting the upper and lower eyelid.

Seek medical attention.

### Skin.

Remove contaminated clothing and rinse skin with plenty of water or shower for 15 minutes.

Seek medical attention.

### Inhalation.

Vacate from site of exposure to fresh air immediately. Use oxygen if available.

### Ingestion.

Give at least two glasses of milk or water. Induce vomiting unless patient is unconscious.

Seek medical attention.

### Note:

Inhalation, skin contact and eye contact are possible if the battery is damaged.

Exposure to internal contents, the corrosive fumes will be very irritating to skin, eyes and mucous membranes.

Overexposure can cause symptoms of non-fibroid lung injury and membrane irritation.

## Instructions for Use - Charging Batteries

The charger is intended for use only on flat surfaces, place horizontally on floor or work surface.  
The charger is intended for use with the detachable power cord supplied, the power unit is capable of operating at different voltages without user adjustment.  
If the charger is damaged or does not charge anymore, please return to service centre.

### Charging Procedure:

1. Ensure the battery is fully inserted into the charger.
2. Fit the mains power cord to charger and suitable power supply.
3. Please Note: If the battery is above its optimum charging temperature (due to ambient temperature or it was recently discharged) the charger LED will illuminate on/off RED for a maximum of 40 minutes whilst the battery temperature falls to an acceptable level for charging to begin.
4. The LED should show RED to indicate charging.
5. Once fully charged the LED will show GREEN.
6. If power is supplied to the charger with no battery fitted the LED will show GREEN to indicate STAND-BY status.

## Hazards

Health Hazards (Acute & Chronic).

The chemicals used in the battery are in a sealed container.

Risk of exposure only occurs if the battery is abused or damaged.

Contact of electrolyte and lithium with skin and eyes should be avoided.

Signs & Symptoms of Exposure.

A damaged or leaking battery can cause chemical burns upon contact.

## First Aid Measures

If exposed to any of the Chemicals mentioned in the Hazards section please follow the procedures below:

### Eyes.

Flush eyes with plenty of water for at least 15 minutes, occasionally lifting the upper and lower eyelid.

Seek medical attention.

### Skin.

Remove contaminated clothing and rinse skin with plenty of water or shower for 15 minutes.

Seek medical attention.

### Inhalation.

Vacate from site of exposure to fresh air immediately. Use oxygen if available.

### Ingestion.

Give at least two glasses of milk or water. Induce vomiting unless patient is unconscious.

Seek medical attention.

### Note:

Inhalation, skin contact and eye contact are possible if the battery is damaged.

Exposure to internal contents, the corrosive fumes will be very irritating to skin, eyes and mucous membranes.

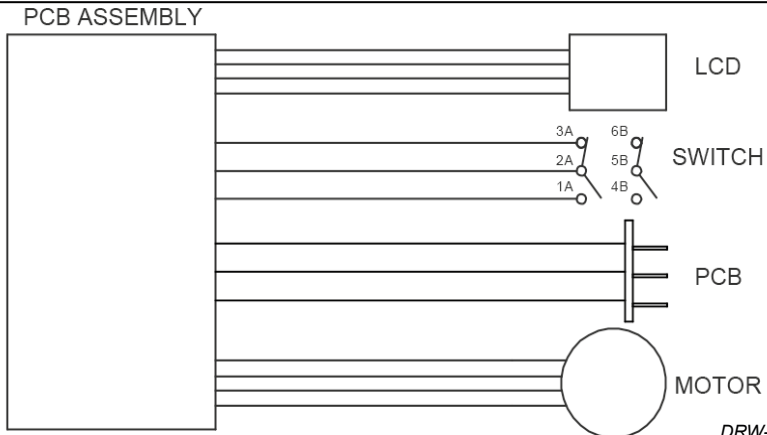
Overexposure can cause symptoms of non-fibroid lung injury and membrane irritation.

Good Batteries... Good Chargers...  
Good Care will ensure Good Results.

## Replacement parts

Filter	
909559	Tritex filter (Boxed)
HepaFlo dust bags	
907075	NVM-1CH Dust bags (Pack of 10)
907076	NVM-1CH Dust bags (Pack of 5)
909291	NVM-1CH Dust bags (Pack of 3)
Battery	
909996	37 V Battery
Charger	
607846	Standard battery charger dock & mains lead (UK)
Fast charger	
911334	Fast battery charger dock (UK)
912365	Mains charge lead (UK)
PBT Caddy	
607233	Red Caddy
607222	Blue Caddy

## Schematic diagram



DRW-33572 (A02)

## Lithium-Ion Battery Warranty

Warranty: Commercial Use

- a. Batteries are warranted (1 Year) providing all battery care rules are followed
- b. To claim warranty the following details must be supplied
  - i. Serial number of the machine
  - ii. Battery date code
  - iii. Date purchased
  - iv. Proof of Purchase
  - v. Maintenance history and charging regime

Failure to use the correct Numatic charger will void your warranty.

# Notes

A series of 20 horizontal dotted lines for writing notes.

# Notes

A series of 20 horizontal dotted lines for writing notes.



# Notes

A series of horizontal dotted lines for writing notes.

# Numatic International Warranty

Numatic International Limited warrant to the original purchaser that its products are free of defects in both material or workmanship for the period shown below:-

Homecare and Cleancare Vacuum cleaners.....	2 Years
Rotary Floor Machines.....	2 Years
Twintec Auto Scrubber Dryer.....	1 Year
Vario Ride-On Scrubber Dryer.....	1 Year / 1500 hours
Mopping, Compacts, Combi and Servocare Products.....	1 Year
Individual Accessories and Spare Parts.....	6 Months

*Note: This warranty expressly excludes consumable parts such as carbon brushes, floor brushes, mops, batteries etc, that are considered replaceable from time to time during the normal working life of the machine.*

*Using non Numatic dustbags can be detrimental to both machine performance and life and may invalidate the Warranty.*


- A. *The warranty period commences from the date the goods are purchased.*
- B. *All warranty claims must be processed through the Dealer from whom the equipment was purchased. The Dealer will co-operate with the purchaser throughout the warranty claims procedure and will arrange any necessary repairs using genuine Numatic parts.*
- C. *If the original Dealer is no longer able to fulfil his obligations please contact Numatic International Limited with full details of the claim and proof of purchase so that this may be processed without delay.*
- D. *Any warranty claim can only relate to the specific part that is proven to be at fault and for which a replacement will be supplied but cannot be extended to constitute a claim against the complete machine.*
- E. *Numatic International will supply the Dealer with any warranty parts required, subject to the claim being validated, after return of the faulty items in accordance with Numatic International Limited's General Conditions of Sale.*
- F. *Claims will not be accepted if they are the result of fair wear and tear, misuse or abuse of any kind.*
- G. *No replacement will be given unless the appropriate evidence of the validity of the claim has been provided to the satisfaction of Numatic International Limited.*
- H. *Numatic International Limited reserve the right to charge for any unnecessary work carried out as a result of an invalid claim.*
- I. *No variation to this warranty may be made or implied by any member of Numatic International Limited or its Dealers unless such variation is in writing and authorised by the Company*

# Numatic

Numatic International Limited. Chard, Somerset, TA20 2GB

Telephone: 01460 68600 Fax: 01460 68458

© Numatic International Limited

UKCA Declaration of Conformity	
<p><b>Manufacturer:</b></p> <p>Numatic International Limited  Chard  TA20 2GB  www.numatic.co.uk</p>	<p></p>
<p><b>Product:</b></p> <p>NBV, PBT</p>	<p><b>Description:</b></p> <p>Vacuum Cleaner – Commercial – Dry - Battery</p>
<p><b>We, Numatic hereby declare under our sole responsibility, that the above-mentioned product(s) is/are in conformity with the following directives and standards.</b></p>	
<p>S.I. 2008: 1597</p>	<p><b>Supply of Machinery Regulations</b>  EN60335-1:2012 + AC:2014 + A11:2014 + A13:2017  EN60335-2-69:2012  EN62233:2008</p>
<p>S.I. 2016: 1091</p>	<p><b>EMC Regulations</b>  EN55014-1:2017 + A11:2020  EN55014-2:1997 + A1:2001 + A2:2008</p>
<p>S.I. 2012: 3032</p>	<p><b>RoHS Regulations</b></p>

Authorised Signatory: Mr. Matthew Coles


Position: Head of Technology

Numatic International Limited,

Chard,

Somerset, TA20 2GB, UK

Signed: *Matthew Coles* Date: 1<sup>st</sup> Dec 2021

<p><b>EU, EC, EL, UK, ES:</b>  Declaración de conformidad  Probleme de conformité  Problema di conformità  Problema di conformità  Konformitetserklæring  Ovenstemmeserklæring  Declaração de conformidade  Declarație de conformitate</p>	<p>Декларация за съответствие  Проблема с соответствием  Problème de conformité  Problema di conformità  Konformitetserklæring  Ovenstemmeserklæring  Declaração de conformidade  Declarație de conformitate</p>	<p>Декларација загодност  Проблема сагодности  Problema di conformità  Problema di conformità  Förskäning om öve ensämälmgelge  Izjava o skladnosti  Vaistumenamokausuakutuutus</p>
<p><b>Manufacturer:</b>  Virobce / Hersteller / Fabricant / Fabricante / Tootja / Gaminiojas / Fabricant / Производител / Gyártó / Fabricante / Producteur / Prouducător / Tilveiteja / Prouducator / Valmistaja</p>	<p>Numatic International Limited  Chard  TA20 2GB  www.numatic.co.uk  NBV, PBT</p>	<p></p>
<p><b>Product:</b>  Prody / Подоб / Termék / Prodotto / Produkta / Artikel / Produkt / Προϋκτο / Produits / Produkte / Товар / Produkt / izdelka / Tuote / Kirjatus / La description / Описание / Περιγραφή / Teräs / Products / Beschreibungen / Beskrivelse / Descripción / Oils / Descrizere / Ombcates / Beskriving / Oils / Kvalitas</p>	<p>Numatic Cleaner – Commercial – Dry - Battery</p>	

<p><b>GB:</b> We, Numatic hereby declare under our sole responsibility, that the above-mentioned product(s) is/are in conformity with the following directive and standards.</p> <p><b>CZ:</b> My, Numatic prohlašujeme na svou vylučnou odpovědnost, že výše uvedený výrobek odpovídá, že jsme se ujednali s následujícími směrnicemi a normami.</p> <p><b>DE:</b> Wir, Numatic erklären in allerfüher Verantwortung, dass das oben genannte Produkt den folgenden Richtlinien und Normen entspricht.</p> <p><b>DK:</b> Vi, Numatic erklærer hermed under eget ansvar at ovennævnte produkt(er) i vores selskab, chej produktet (de) overholder følgende standard(er).</p> <p><b>ES:</b> Nosotros, Numatic declaramos bajo nuestra única responsabilidad que el producto antes mencionado está en conformidad con las siguientes directivas y normas.</p> <p><b>EE:</b> Meie, Numatic väidame, et tootetud toote on kooskõlas järgivate direktiivide ja normidega.</p> <p><b>FR:</b> Numatic déclare sous notre seule responsabilité que le produit mentionné ci-dessus est conforme aux directives et normes suivantes.</p>	<p><b>BG:</b> Мия, Нуматиц обявавам, че посочените по-горе продукти е в съответствие със следните директиви и стандарти.</p> <p><b>GR:</b> Εγώ, Νumatic δηλώνω με υπεύθυνη αποκρίση, ότι το παραπάνω προϊόν συμμορφώνεται με τις ακόλουθες οδηγίες, και πρότυπα.</p> <p><b>HU:</b> Mi, Numatic kijelentjük, egyértelmű felelőséggel, hogy a fent említett termék megfelel az alábbi irányelveknek és normáknak.</p> <p><b>IT:</b> Noi, Numatic dichiariamo, che in propria responsabilità, che il prodotto (de) sopra è conforme alle seguenti direttive e norme.</p> <p><b>LT:</b> Mes, "Numatic" pareiškiu vėnašališkos atsakomybės, kad pirmiau minėtas produktas atitinka šias direktyvas ir normas.</p> <p><b>NL:</b> We verklaaren Numatic hereby op eigen verantwoordelijkheid dat het hierboven bedoelde product voldoet aan de bovengenoemde productvoorschriften volgens de richtlijn(en) en norm(en).</p> <p><b>NO:</b> Vi, Numatic erklærer herved under eget ansvar, at det ovennevnte produkt er i samsvar med følgende direktiver og standarder.</p> <p><b>PT:</b> Nós, a Numatic declaramos, sob nossa exclusiva responsabilidade, que o produto acima mencionado está em conformidade com as diretivas e normas a seguir.</p> <p><b>PL:</b> My, Numatic Ninajemyz oświadczamy z pełnią odpowiedzialności, że wyżej wymieniony produkt jest zgodny z następującymi dyrektywami i normami.</p> <p><b>RO:</b> Noi, Numatic Pro șezămă declarațiună în propria răspundere, că produsul mai sus menționat este în conformitate cu următoarele standarde și directive.</p> <p><b>RU:</b> Мы, Нуматис объявляем, что данное изделие соответствует, по нашей полной ответственности, следующим директивам и стандартам.</p> <p><b>SE:</b> Vi Numatic förklarar härmed under eget ansvar att ovan nämnda produkt överensstämmer med följande direktiv och normer.</p> <p><b>SI:</b> Mi, Numatic izjavljam s podno odgovornostjo, da je proizvod (de) zgoraj našega podjetja v skladu z našimi predpisi in standardi.</p> <p><b>FI:</b> Me, Numatic tilteen vakuumimme omalla vastuulla, että edellä mainittu tuote on yhdenmukainen seuraavien direktiivien ja standardien mukaisesti.</p>	
<p><b>2006/42/EC</b>  Machinery Directive  EN60335-1:2012 + AC:2014 + A11:2014 + A13:2017  EN60335-2-69:2012  EN62233:2008</p>	<p><b>2014/30/EU</b>  EMC Directive  EN55014-1:2017 + A11:2020  EN55014-2:1997 + A1:2001 + A2:2008</p>	<p><b>2006/96/EC</b>  RoHS Directive</p>

Authorised Signatory: Mr. Matthew Coles

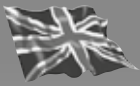
Position: Head of Technology

Numatic International Limited

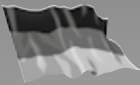
Chard,

Somerset, TA20 2GB, UK

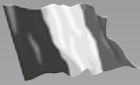
Signed: *Matthew Coles* Date: 04<sup>th</sup> May 2022



Numatic International Limited.  
Chard, Somerset TA20 2GB ENGLAND  
Tel: 01460 68600 [www.numatic.co.uk](http://www.numatic.co.uk)



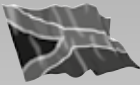
Numatic International GmbH. Fränkische Straße 15–19  
D-30455 Hannover, DEUTSCHLAND  
Tel: 05 11 98 42 16 0 [www.numatic.de](http://www.numatic.de)



Numatic International SAS. 13 / 17 rue du Valengelier  
EAE La Tuilerie – 77500 CHELLES, FRANCE  
Tel: 01 64 72 61 61 [www.numatic.fr](http://www.numatic.fr)



Numatic International BV  
Vennootsweg 15, 2404 CG, Alphen aan den Rijn, NEDERLAND  
Tel: 0172 467 999 [www.numatic.nl](http://www.numatic.nl)



Numatic International (Pty.) Ltd.  
16th & Pharmaceutical Roads, Midrand, Gauteng,  
SOUTH AFRICA 1685  
Tel: 0861 686 284 [www.numatic.co.za](http://www.numatic.co.za)



Numatic International Schweiz AG.  
Sihlbruggstrasse 3A, 6340 Baar. SCHWEIZ  
Tel: 0041 (0) 41 76 80 76 - 0 [www.numatic.ch](http://www.numatic.ch)



Numatic International ULDA. Rua da Boa Viagem, 177  
4470.210 Maia. PORTUGAL  
Tel: +351 220 047 700 [www.numatic.pt](http://www.numatic.pt)



Numatic International SLU. C/ La Forja, 41, 08840 Viladecans  
(Barcelona), Spain  
Tel: +34 93 647 22 22 [www.numatic.es](http://www.numatic.es)

Specification subject to change without prior notice  
[www.numatic.co.uk](http://www.numatic.co.uk) © Numatic International Limited