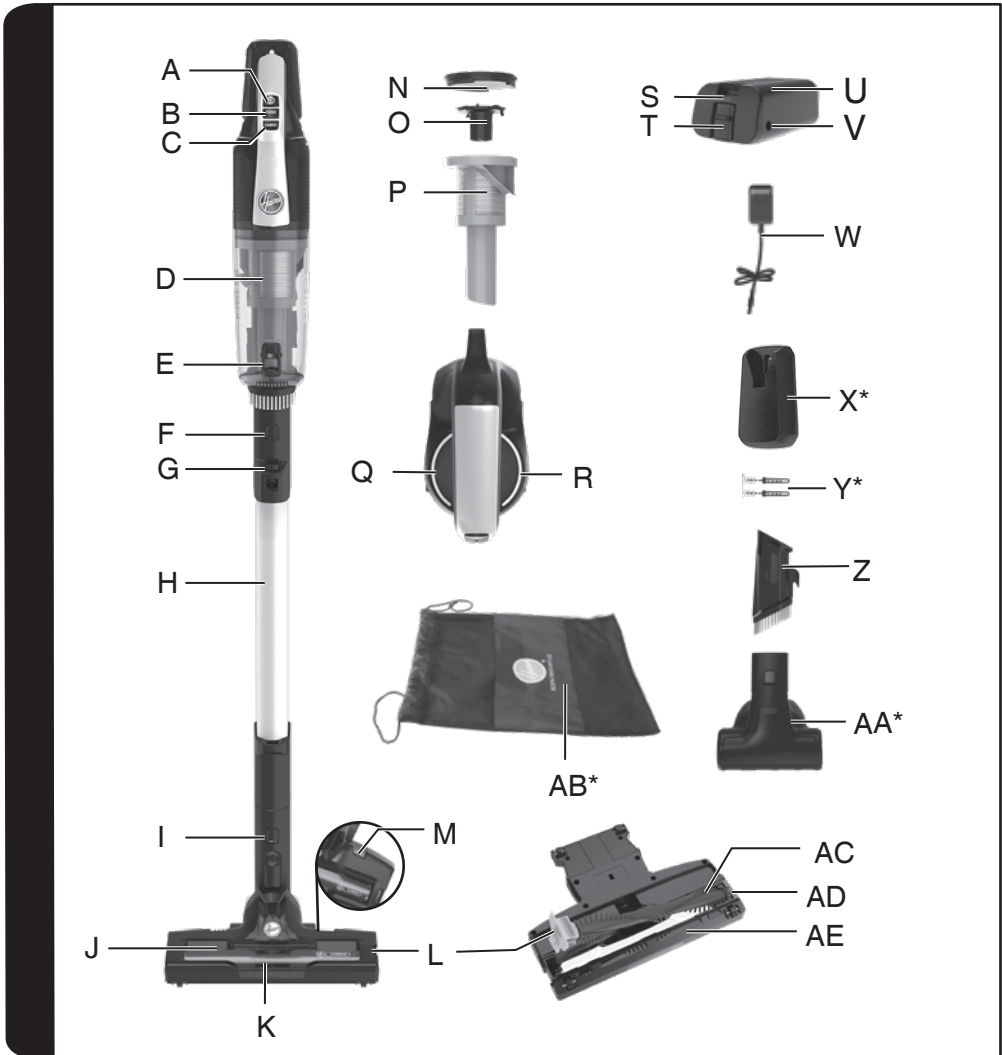


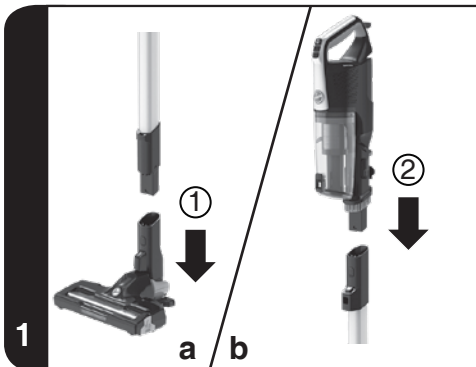
HOOVER

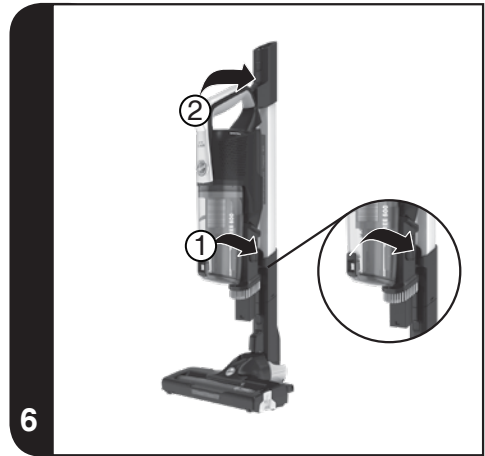
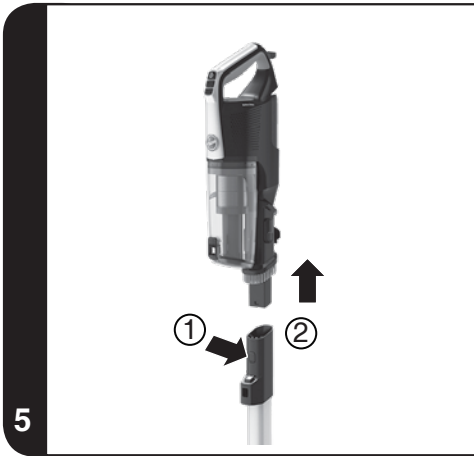
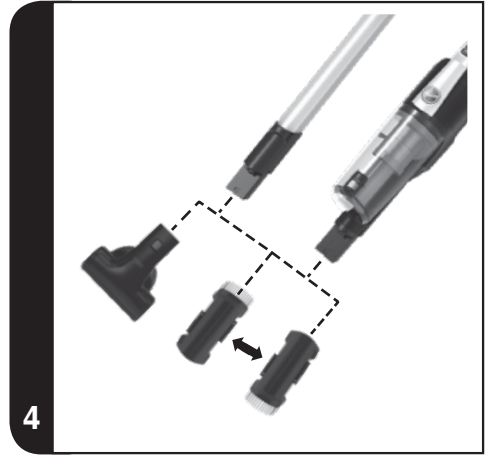
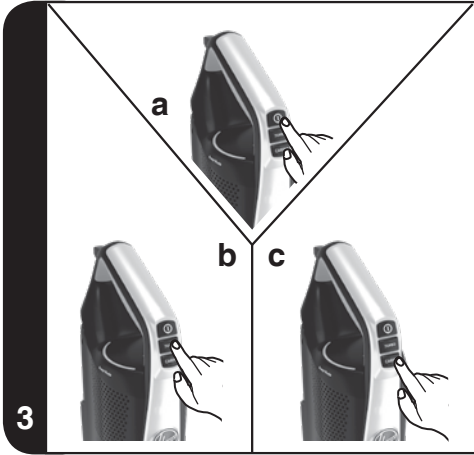
INSTRUCTION MANUAL

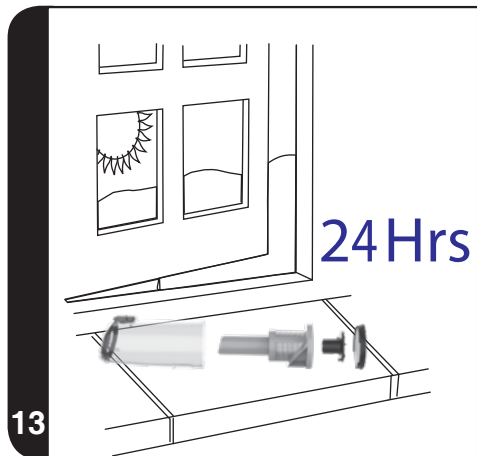
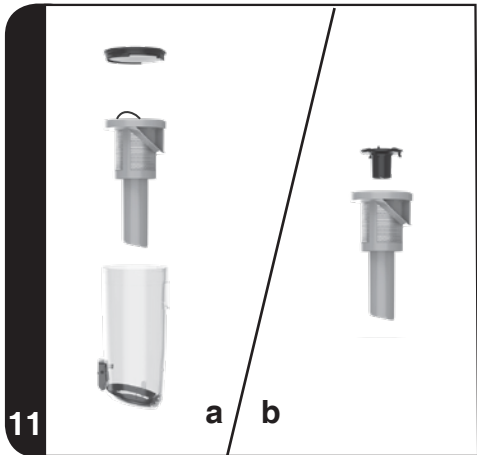
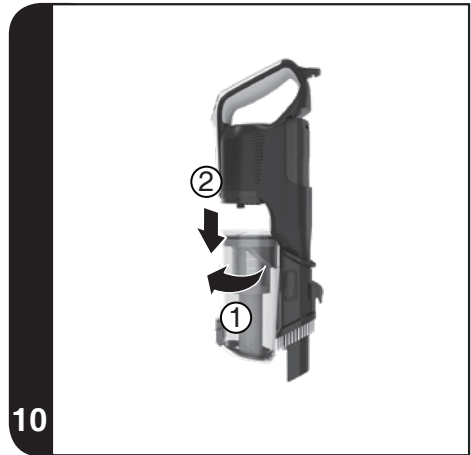
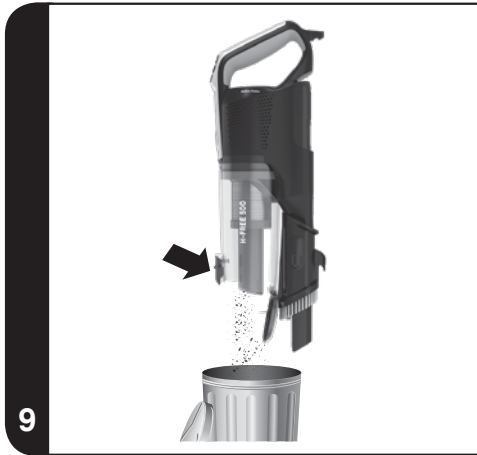




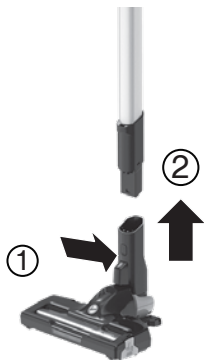
* Certain models only, accessories may vary according to model



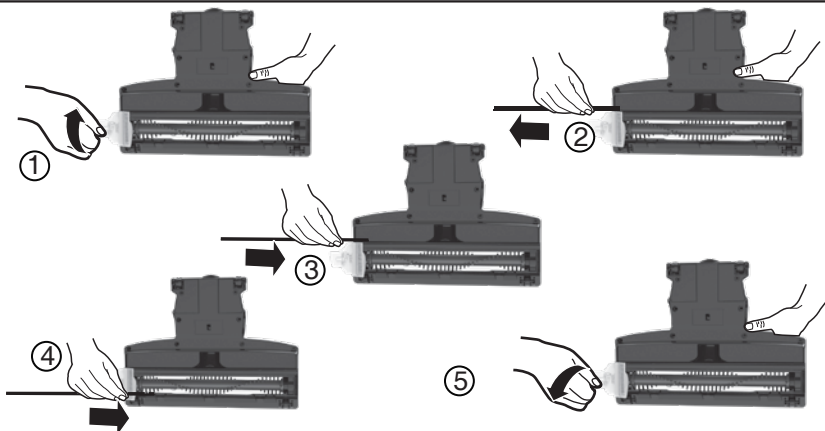




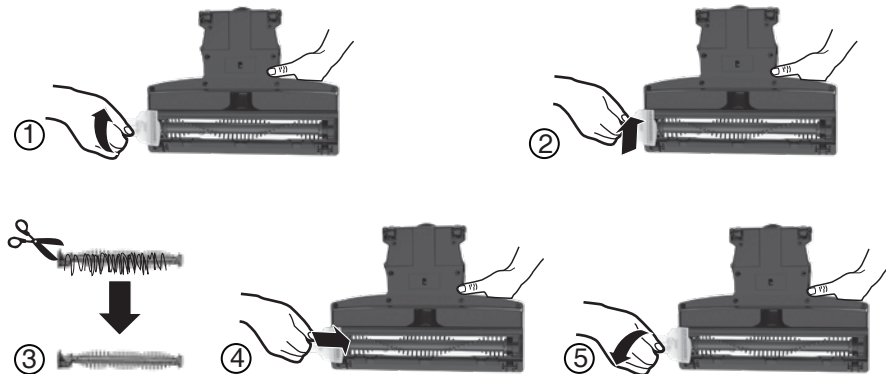
15



16



17



INSTRUCTIONS FOR SAFE USE

This appliance should only be used for domestic cleaning, as described in this user guide. Please ensure that this guide is fully understood before operating the appliance.

Always switch off and remove the charger from the socket before cleaning the appliance or any maintenance task.

This appliance can be used by children aged from 8 years and above and persons with reduced physical, sensory or mental capabilities or lack of experience and knowledge if they have been given supervision or instruction concerning use of the appliance in a safe way and understand the hazards involved. Children shall not play with the appliance. Cleaning and user maintenance shall not be made by children without supervision.

If the power cord is damaged stop using the appliance immediately. To avoid a safety hazard, an authorised Hoover service engineer must replace the power cord.

Keep hands, feet, loose clothing and hair away from rotating brushes.

Use only the original charger supplied with the appliance.

Check that your supply voltage is the same as that stated on the charger.

This appliance is supplied with a double insulated battery charger which is only suitable for insertion in a 230V (UK 240V) socket outlet.

Plug the charger in to suitable socket outlet and connect the charger jack plug to the appliance.

Switch off the appliance before charging.

Before first use, charge your appliance for at least 24 hours. The battery pack LED light will illuminate RED during charging and will turn WHITE when fully charged.

Re-connect the appliance to the charger after use to recharge the battery.

Never charge the batteries in temperatures above 37°C or below 0°C.

It is normal for the charger to become warm to the touch when charging.

Do not unplug the charger by pulling on the power cord.

Unplug the charger in the event of prolonged absence (holidays, etc.). Recharge appliance again before use as batteries may self discharge over increased periods of storage.

If the appliance is to be disposed of the batteries must first be removed. The appliance must be disconnected from the supply mains when removing the battery. Dispose of the batteries safely. Run the appliance until it stops because the batteries are fully discharged. Used batteries should be taken to a recycling station and not disposed of with household waste. To remove the batteries, please contact the Hoover Customer Centre or proceed according to the following instructions.

IMPORTANT: Always fully discharge the batteries before removal and ensure the charger is unplugged.

Run the cleaner until the batteries are completely empty.

Remove the charger jack plug from the appliance.

Press the battery pack release buttons and slide to remove.

NOTE: Should you experience any difficulty in dismantling the unit or for more detailed information on treatment, recovery and recycling of this appliance, please contact your local city office or your household waste disposal service.

Use only attachments, consumables or spares recommended or supplied by Hoover.

Static electricity: Some carpets can cause a small build up of static electricity. Any static discharge is not hazardous to health.

Do not use your appliance out of doors or on any wet surface or for wet pick up.

Do not pick up hard or sharp objects, matches, hot ashes, cigarette ends or other similar items. Do not spray with or pick up flammable liquids, cleaning fluids, aerosols or their vapours.

Do not run over the power cord when using your appliance or remove the plug by pulling on the power cord. Do not continue to use your appliance or charger if it appears faulty.

Hoover service: To ensure the continued safe and efficient operation of this appliance we recommend that any servicing or repairs are only carried out by an authorised Hoover service engineer.

Do not use the appliance to clean animals or people.

Do not replace the batteries with non-rechargeable batteries.

The Environment:

This appliance is marked according to the European directive 2011/65/EC on Waste Electrical and Electronic Equipment (WEEE). By ensuring this product is disposed of correctly, you will help prevent potential negative consequences for the environment and human health, which could otherwise be caused by inappropriate waste handling of this product. The symbol on the product indicates that this product may not be treated as household waste. Instead it shall be handed over to the applicable collection point for the recycling of electrical and electronic equipment. Disposal must be carried out in accordance with local environmental regulations for waste disposal. For more detailed information about treatment, recovery and recycling of this product, please contact your local city office, your household waste disposal service or the shop where you purchased the product.



This product complies with the European Directives 2014/35/EU, 2014/30/EU and 2011/65/EU.

CANDY HOOVER GROUP S.r.l. Via Privata Eden Fumagalli, 20861 Brugherio (MB) Italy

PRODUCT COMPONENTS

- A. ON/OFF Button
- B. Turbo Button
- C. Carpet Button
- D. Dust Cup
- E. Dust Bin Flap Release Button
- F. Handheld Release Button
- G. Storage Release Button
- H. Tube
- I. Nozzle Release Button
- J. Nozzle
- K. Nozzle Front Led Lights
- L. Nozzle Release Flap
- M. Brush Bar Status Led
- N. Pre-Motor Filter
- O. Single Cyclone Vortex Finder
- P. Single Cyclone
- Q. Power Mode LED Light
- R. Battery Status LED Light
- S. Battery Charging Light
- T. Battery Release Button
- U. Battery Pack
- V. Battery Charging Inlet
- W. Charger
- X. Wall Mount*
- Y. Wall Mount Screws*
- Z. Integrated 2in1 Dusting
Brush and Furniture Tool
- AA. Mini Turbo Nozzle*
- AB. Accessories Bag*
- AC. Rear Soft Strip
- AD. Intense Floor Roller
- AE. Wiper Blade

PREPARING YOUR CLEANER

Carefully remove your product from the packaging.

1. Pick up the nozzle and extension tube, assemble one end of the tube into the nozzle neck until you hear it 'click' into location. **[1a]**
2. Pick up the Handheld unit and assemble onto the tube until you hear it 'click' into location. **[1b]**
3. Fix the Wall Mount to your wall using the screws and screw plugs provided. **[2]**
4. To fully charge the appliance, connect the charger jack plug to the battery pack. It will take around 6Hrs.

NOTE: To remove the nozzle, press the nozzle release button and pull away from the main body.

NOTE: Use only the charger supplied with your cleaner to recharge. It is normal for the charger to become warm to touch when charging.

* Certain Models Only

USING YOUR CLEANER

There are 4 working modes which you can detect from the colour of the Power Mode LED light.

• **STANDARD MODE:** When you press ON-OFF button, the cleaner is ready to clean thoroughly with the main motorised nozzle and agitator ON. The LED light is white. [3a]

• **CARPET MODE:** Carpet button controls the agitator and it activates or disactivates the brush bar. When the agitator is OFF the light turns to green. [3b]

NOTE: Agitator ON is recommended for lifting dirt and debris from carpet pile.

NOTE: Agitator OFF is recommended to clean hard floors.

• **TURBO MODE:** Press the Turbo button to fully power the product for hard cleaning tasks. The LED light is blue. [3c]

• **AUTO MODE:** When you remove the nozzle or the tube, the product automatically adapts to a lower power for above floor cleaning, with non-motorised tools. The LED light is light blue/cyan.

NOTE: For hard cleaning task, it is recommended to use Turbo Mode.

NOTE: The product has memory feature and it will restart in its latest setting.

BRUSH BAR STATUS

The brush bar status LED on the nozzle will remain off when using the product, it will illuminate white when the product is in Carpet mode and will illuminate red if the safety protection system is activated. [14]

WIPER BLADE ASSEMBLY

To obtain the best crevice and carpet performance, it is recommended to assemble the front and rear wiper blades to the soleplate of the nozzle.

To do this, open the agitator release flap and remove the soft strip. Then grip one wiper blade, by inserting one end into the rear slot and slide it in until fully home. Repeat these operations for the second wiper blade and slide it in the front slot. Lock the agitator release flap. [16]

STORAGE FUNCTION

After use, your cleaner has 2 convenient storage methods.

1. WALL MOUNT STORAGE

Your product is supplied with a wall mount for convenient easy storage. Using the screws provided, fix the Wall mount to your wall. After product use, simply place your cleaner into location. [2]

2. COMPACT STORAGE/PARKING MODE

To store the product on the tube, remove the handheld unit by pressing the handheld release button. [5]

Ensure the onboard 2 in 1 tool (z) is returned to its original position as supplied ensuring the tool is located fully home with the dusting brush and locating hook in the downward position.

Assemble the locating hook into the lower slot on the tube, and push the rear handle fully home into the locking mechanism located at the top of the tube. [6]

SAFETY PROTECTION SYSTEM

To ensure the reliability of the product is not affected if used under arduous conditions, the product features two integrated Safety protection systems, one on the cleaner and one on the nozzle.

NOTE: The Safety protection system will action in two conditions:

1. If there are obstructions in the air inlet or in the tube, the cleaner will be protected and turn OFF, and the LED light on the main unit turns to red. If this happens simply check if there are any obstructions in the tube or in the air inlet of the handheld. Remove it and switch ON again.

2. If the agitator has a blockage or is locked, once actioned, the agitator will stop rotating and the WHITE LED lights on the nozzle will turn to RED. [14] If this happens, simply turn off your product and clear the agitator obstruction. To resume cleaning, press the on/off button and the product will start working again.

BATTERY

This cleaner is equipped with a Battery Status LED Light. When the product is ON, the LED light illuminates in different colours to show the battery level.

* Certain Models Only

BATTERY LEVEL:

White colour: 100% - 70% charge

Blue colour: <70% - 40% charge

Red colour: <40% - 10% charge

Red blinking: <10% charge

There are 2 methods of charging:

Charge the battery when fitted to the product.

Insert the battery charger jack to the battery. The LED status indicator will illuminate RED when charging. When charging is complete, the LED status indicator will illuminate WHITE for 1 min then switch off. [7]

Charge the battery when removed from the product.

Remove the battery from the product by pressing the battery release buttons.

Insert the battery charger jack to the battery. The battery pack LED will illuminate RED when charging. When charging is complete, the LED indicator will illuminate WHITE. [8]

NOTE: It is normal for the charger to become warm to touch when charging. Use only the charger supplied with your product.

ACCESSORIES

CREVICE TOOL INTEGRATED ON THE HANDHELD, CREVICE TOOL INTEGRATED ON THE TUBE, 2IN1 FURNITURE TOOL & DUSTING BRUSH AND MINI TURBO NOZZLE.

Integrated Crevice Tools - ideal for accessing tight spaces.

Dusting Brush - ideal for cleaning surfaces without damaging or scratching.

Furniture Nozzle - ideal for cleaning surfaces like sofa.

All the accessories can be fitted on the main product and on the tube. [4]

NOTE: The mini-turbo nozzle is ideal for deep cleaning textile surfaces (i.e. sofas) and pet hair removal. Move it steadily backwards and forwards. After using, please remove hair / threads collected on the brush with scissors if necessary.

ACCESSORY BAG*

Accessories can be stored in the accessory bag.

Wall Mount*

Hang the wall mount to the wall, using the two screws included in the product to hang product [2].

CLEANER MAINTENANCE

Pre-filter maintenance reminder. If the pre-filter needs maintenance, the red light on the cleaner starts to blink in red colour.

Emptying the Dust Container

1. Press the main body release button and remove the tube. [5]
2. Press the dust cup empty button to release the bin flap and empty the contents. [9]
3. Close the dust cup flap, you will hear a click when fully locked.

NOTE: It is recommended to empty the dust cup after each use or when dust is up to the max fill line.

Cleaning the Dust Container and Filter

The LED indicator on the product will flash RED to indicate the cleaning Pre-motor Filter is required.

1. Press the handheld release button and remove the handheld unit from the tube. [5]
2. Press the battery release button and remove the battery.
3. Remove the dust bin assembly by turning it clockwise and pulling away from the unit. [10]
4. Remove the Pre-Motor filter pulling the support from the bin assembly.[11a]
5. Remove the single cyclone system pulling the metal ring from the bin assembly.
6. Remove vortex finder by rotating clockwise and pull from the cyclone system. [11b]
7. Wash the filter and single cyclone system in lukewarm water and leave to dry for 24 hours. [12,13]
8. Reassemble once completely dry and refit to the product.

NOTE: Do not use hot water or detergents when cleaning the pre-motor filter. In the unlikely event of the pre-motor filter becoming damaged, fit a genuine Hoover replacement. Please ensure you refit the pre-motor filter before assembling dust bin to cleaner main body as filter protection mechanism will be activated.

IMPORTANT: For optimum performance, always keep your filter clean. We recommend that the filter should be washed at least once a week.

* Certain Models Only

Changing and Cleaning the Agitator

IMPORTANT: Always switch off the cleaner before changing and cleaning the agitator.

1. Remove the nozzle from the tube.
2. Detach the agitator release button flap. It is positioned on the lateral part of the nozzle. [17]
3. Hold the agitator release flap and remove the agitator.
4. To clean the Intense Floor Roller, remove excess debris using scissors.
5. Re-fit the agitator. The agitator can only fit in one direction.
6. Close the agitator release flap to secure the agitator in position.

Replacing the Batteries

This cleaner is fitted with a rechargeable lithium ion battery pack which is replaceable.

WARNING: Only use approved replacement parts for your cleaner. Using parts not validated by Hoover are dangerous and will invalidate your guarantee.

WARNING: Do not try to open the battery pack and repair it by yourself.

1. Press the battery release buttons and pull the battery outside. [8]
2. Removed the old battery pack and replace with the new battery pack.
3. Dispose of the batteries safely. Used batteries should be taken to a recycling station and not disposed of with household waste.

TROUBLE SHOOTING

Should you have any problem with you cleaner, follow this simple check list before calling the Hoover Customer Service Centre:

A. Cleaner does not switch on

Check if the cleaner is charged

Check if the battery pack is assembled in place.

B. Cleaner stop working

Check if there is an obstruction in air inlet or in the tube, clear it and ensure the product is OFF. Once this is done simply press the on/off button, the product will start working again.

C. Loss of suction or no suction

Empty the dust cup and wash the pro-filter and separator.

Remove nozzle and check for any blockages in the duct.

D. Batteries cannot be charged

This may be a result of very long storage periods (over half year).

Contact Hoover customer service to arrange battery replacement.

If the problem persists, contact the Hoover customer service center

HOOVER SPARES AND CONSUMABLES

Always replace parts with genuine Hoover spares. These are available from your local Hoover dealer or direct from Hoover. When ordering parts always quote your model number.

YOUR GUARANTEE

The guarantee conditions for this appliance are as defined by our representative in the country in which it is sold. Details regarding these conditions can be obtained from the dealer from whom the appliance was purchased. The bill of sale or receipt must be produced when making any claim under the terms of this guarantee.

IMPORTANT: the battery in this cleaner is guaranteed for 1 year from the date of purchase. After 1 year the customer is liable for the cost of a new battery.

Subject to change without notice.



PRINTED IN P.R.C.
48029321/01