

WINE COOLER
Owner's Manual.....1 - 7

MODEL
DWC016KA1BDB



Important Safety Information

READ AND FOLLOW ALL SAFETY INSTRUCTIONS

SAFETY REQUIREMENTS

DANGER: Risk of fire or explosion. Flammable refrigerant used. Do not puncture refrigerant tubing.

- Do not use mechanical devices to defrost refrigerator.
- Ensure that servicing is done by factory authorized service personnel, to minimize product damage or safety issues.
- Consult repair manual or owner's guide before attempting to service this product. All safety precautions must be followed.
- Dispose of properly in accordance with federal or local regulations.
- Follow handling instructions carefully.

WARNING: Keep ventilation openings, in the appliance enclosure or in the built-in structure, clear of obstruction.

WARNING: Do not use mechanical devices or other means to accelerate the defrosting process, other than those recommended by the manufacturer.

WARNING: Do not damage the refrigerant circuit.

WARNING: Do not use electrical appliances inside the food storage compartments of the appliance, unless they are of the type recommended by the manufacturer.

CAUTION: Children should be supervised to ensure that they do not play with the appliance.

DANGER: Risk of child entrapment. Before throwing away an old appliance:

- Remove the door or lid.
- Leave shelves in place so that children may not easily climb inside.

This appliance is intended to be used in household and similar applications such as:

- Staff kitchen areas in shops, offices and other working environments;
- Farm houses and by clients in hotels, motels and other residential type environments;
- Bed and breakfast type environments;
- Catering and similar non-retail applications.

SAFETY REQUIREMENTS

This appliance can be used by children aged from 8 years and above and persons with reduced physical, sensory or mental capabilities or lack of experience and knowledge if they have been given supervision or instruction concerning use of the appliance in a safe way and understand the hazards involved. Children shall not play with the appliance. Cleaning and user maintenance shall not be made by children without supervision.

Do not store explosive substances such as aerosol cans with a flammable propellant in this appliance.

GROUNDING INSTRUCTIONS

This appliance must be grounded. Grounding reduces the risk of electrical shock by providing an escape wire for the electrical current.

This appliance has a cord that has a grounding wire with a 3-prong plug. The power cord must be plugged into an outlet that is properly grounded. If the outlet is a 2-prong wall outlet, it must be replaced with a properly grounded 3-prong wall outlet. The serial rating plate indicates the voltage and frequency the appliance is designed for.

WARNING - Improper use of the grounding plug can result in a risk of electric shock. Consult a qualified electrician or service agent if the grounding instructions are not completely understood, or if doubt exists as to whether the appliance is properly grounded.

Do not connect your appliance to extension cords or together with another appliance in the same wall outlet. Do not splice the power cord. Do not under any circumstances cut or remove the third ground prong from the power cord. Do not use extension cords or ungrounded (two prongs) adapters.

If the power supply cord is damaged, it must be replaced by the manufacturer, its service agent or similar qualified person in order to avoid hazard.

SAVE THESE INSTRUCTIONS!

INSTALLATION INSTRUCTIONS

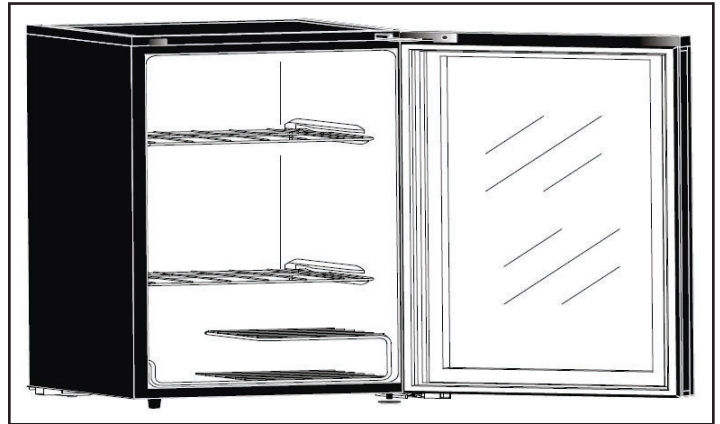
LOCATION

- Two people should be used when moving the appliance.
- Remove interior and exterior packaging prior to installation. Wipe the outside of the appliance with a soft, dry cloth and the inside with a lukewarm wet cloth.
- Place the appliance on a floor that is strong enough to support it when it is fully loaded.
- Do not place the appliance in direct sunlight or near sources of heat, such as a stove or heater, as this can increase electrical consumption. Extreme cold ambient temperatures may also cause the appliance to perform improperly.
- Do not use the appliance near water, for example in a wet basement or near a sink.
- This appliance is intended for household use only. It is not designed for outside installation, including anywhere that is not temperature controlled (garages, porches, vehicles, etc.).
- Before connecting the appliance to a power source, let it stand upright for approximately 6 hours. This will reduce the possibility of a malfunction in the cooling system from handling during transportation.
- This appliance is 44.5 cm (17.5 inches) wide by 51 cm (20 inches) high by 50.5 cm (19.9 inches) deep. Do not cover any of the ventilation openings with any material as the appliance needs adequate space to breathe.
- Allow 12.7 cm (5 inches) of space between the back, sides and top of the appliance and all adjacent walls.
- This appliance is intended for free-standing installation only and is not intended to be built into a cabinet or counter. Building in this appliance can cause it to malfunction.

OPERATING INSTRUCTIONS

FEATURES

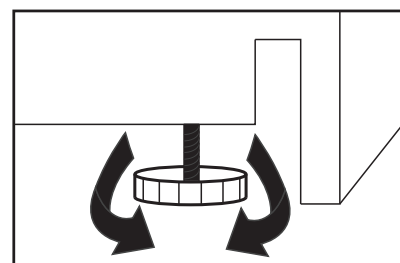
1. **Tempered Glass Door:** Tinted for UV protection while allowing easy interior viewing.
2. **Thermostat Dial:** Externally mounted rear wall thermostat dial for controlling the temperature of the appliance.
3. **Magnetic Door Gaskets:** Tight fitting seals retain all the cooling power and humidity levels.
4. **Plastic Coated Wire Shelves:** Odor resistant, rustproof and removable.
5. **Leveling Foot:** Adjust to level the appliance.
6. **Interior Light (not shown)**



LEVELING INSTRUCTIONS

There is an adjustable leg on the bottom of the appliance that can be turned up or down to ensure that the appliance is level.

1. Turn the leveling leg counter-clockwise as far as it will go, until the top of the foot is touching the bottom of the cabinet.
2. Slowly turn the leveling leg clockwise until the appliance is level.



OPERATING INSTRUCTIONS

TEMPERATURE CONTROL

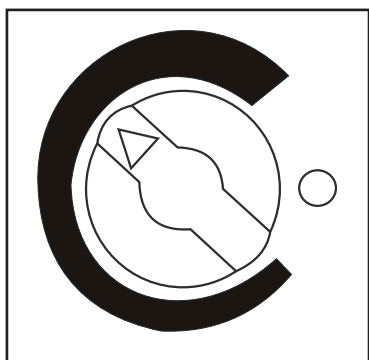
The temperature is controlled by the temperature knob on the back of the appliance.

On the graduated blue dial, the thicker, darker blue indicates colder temperatures and the thinner, lighter blue indicates warmer temperatures.

The internal temperature will vary depending on the ambient room temperature, the quantity of beverages stored, and the frequency that the door is opened.

Setting the control knob to just past the middle point of the graduated blue line should provide adequate cooling.

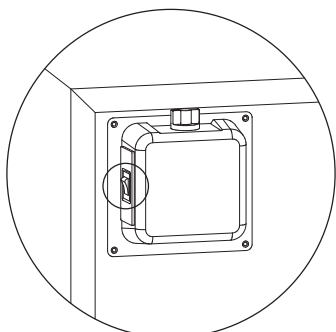
To turn the appliance off, turn the control knob to the "0" position.



INTERIOR LIGHT

The interior light can either be set to on or off. To operate the interior light, press the light switch on the side of the thermostat housing on the back of the appliance. This will allow the light to remain on while the door is closed.

Due to energy efficiency requirements for a refrigerator of this size, there is no option to have the light turn on when the door opens. Keep the light turned off to conserve energy. Turn the light on if required.



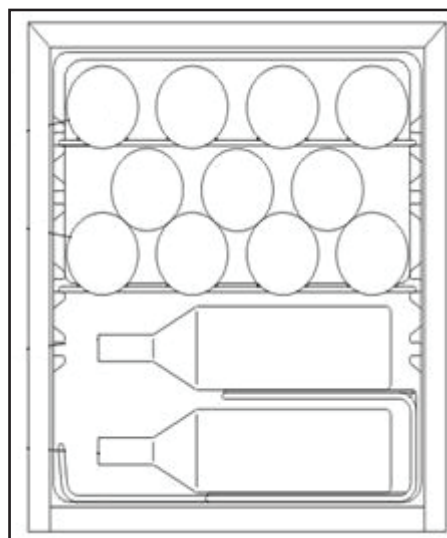
STORAGE INSTRUCTIONS

This appliance can hold up to 17 wine bottles of 750 ml size.

Place four bottles on the two top shelves.

Place three bottles on top of the four bottles on the second shelf.

Place three bottles on each shelf of the two lower shelves.

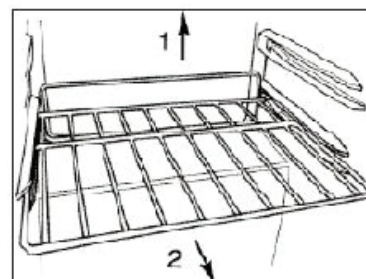


SHELF INSTRUCTIONS

To remove a shelf from its locked position, lift the rear of the shelf upward and then slide the shelf out of the unit.

To replace the shelf, ensure it is resting securely on the support brackets and then push inward until the shelf locks into place.

Note: Do not cover shelves with aluminum foil or any other material that will prevent air circulation within the appliance as this can adversely affect internal temperature.



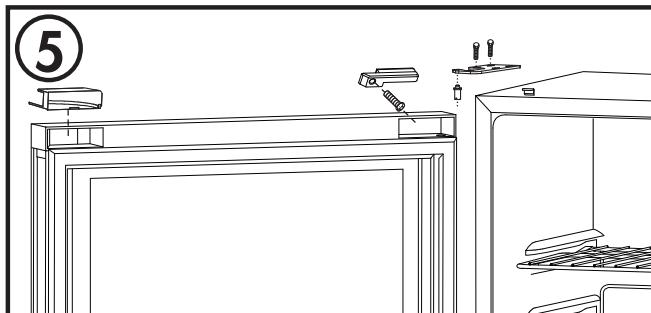
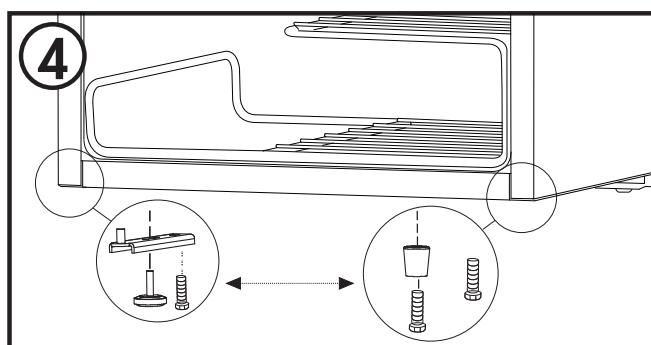
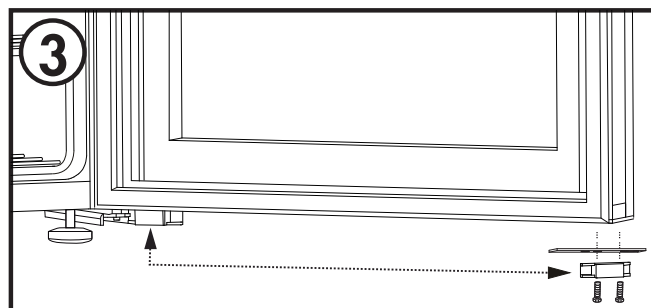
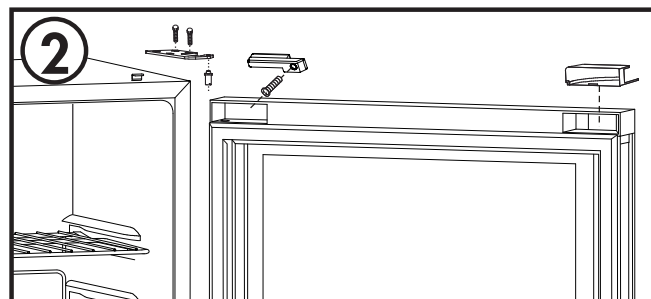
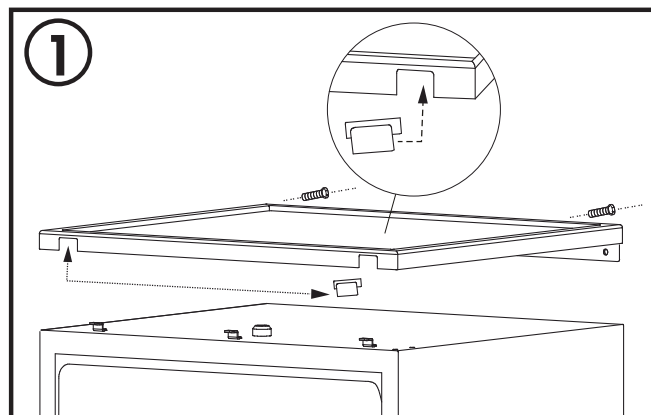
OPERATING INSTRUCTIONS

DOOR REVERSAL INSTRUCTIONS

If the appliance is placed on its back or side for any length of time during this process, it must be allowed to remain upright for 6 hours before plugging it in to avoid damage to the internal components.

1. Remove the two screws from the back of the worktop, lift the back of the worktop and push it toward the front of the appliance to remove it. Remove the worktop hinge hole cover from the left side of the worktop and move it to the hinge hole on the right side of the worktop.
2. Remove the screw from the door spindle cover and remove the upper right hinge and door from the cabinet. Remove the door spindle from the upper right hinge.
3. Remove the lower door stopper and steel hinge support from the bottom left side of the door and move them to the bottom right side of the door. Ensure that the biggest hole on the steel hinge support is over the hinge hole in the bottom of the door.
4. Remove the adjustable foot and the two screws holding the bottom hinge. Move the bottom hinge to the left side of the cabinet and install with the screws. Install the adjustable foot on the left side of the appliance and move the solid foot to the right side of the appliance.
5. The upper left hinge is in the accessory bag inside the appliance. Install the door spindle on the upper left hinge. Install the upper left hinge and door onto the cabinet. Install the door spindle cover with a screw. Reinstall the worktop by laying it on top of the appliance and pushing it toward the back until it clicks into place and then reinstall the two screws at the back.

Note: When reinstalling the door, ensure that the top of the door is level with the top of the cabinet and that the rubber gasket makes a good seal with the cabinet all the way around.



CARE & MAINTENANCE

CLEANING

Ensure the appliance is unplugged before cleaning.

- To clean the inside of the appliance, use a soft cloth and a solution of a tablespoon of baking soda to one quart of water or some mild detergent.
- Wash removable shelves in a mild detergent solution, then dry and wipe with a soft cloth.
- Clean the outside with a soft, damp cloth and some mild detergent.
- It is important to keep the area clean where the door seals against the cabinet. Clean this area with a soapy cloth. Rinse with a damp cloth and let dry.

Note: Do not use cleaners containing ammonia or alcohol on the appliance. Ammonia or alcohol can damage the appearance of the appliance. Never use any commercial or abrasive cleaners or sharp objects on any part of the appliance.

POWER FAILURE

Most power failures are corrected within a few hours and should not affect the temperature of your appliance if you minimize the number of times the door is opened. If the power is going to be off for a longer period of time, take the proper steps to protect your contents.

Note: Wait 3 to 5 minutes before attempting to restart the appliance if operation has been interrupted.

DEFROST

This appliance is equipped with an automatic defrost function and does not require manual defrosting. Defrost water from the appliance is channeled into a drip tray located above the compressor. Heat transfer from the compressor causes the defrost water to evaporate.

VACATION

- **Short vacations:** Leave the appliance operating during vacations of less than three weeks.
- **Long vacations:** If the appliance will not be used for several months, remove all items and turn off the appliance. Clean and dry the interior thoroughly. To prevent odor and mold growth, leave the door open slightly, blocking it open if necessary.

MOVING

- Ensure the appliance is empty.
- Secure the door with tape.
- Turn the adjustable leg up to the base to avoid damage.
- Protect the outside of the appliance with a blanket or similar item.
- Ensure the appliance stays in the upright position during transportation.
- If the appliance is placed on its back or side during transportation, upon reaching the destination, allow it to remain upright for 6 hours before plugging in to avoid damage to the internal components.

DISPOSAL



This marking indicates that this product should not be disposed with other household wastes throughout the EU. To prevent possible harm to the environment or human health from uncontrolled waste disposal, recycle it responsibly to promote the sustainable reuse of material resources. To return your used device, please use the return and collection systems or contact the retailer where the product was purchased. They can take this product for environmental safe recycling.

TROUBLESHOOTING

Danby Consumer Care

Consumer Helpline: 0300 303 3904

Consumer Email: danby@ukwarranty.com

Appliance warranty registration: <https://danby.warrantyonline.co.uk>

Information in this manual is subject to change without notice.

PROBLEM	POSSIBLE CAUSE
No power	<ul style="list-style-type: none">• A fuse may be blown or the circuit breaker tripped• Plug not fully inserted into the wall outlet
Internal temperature not cold enough Appliance runs continuously	<ul style="list-style-type: none">• Door is not shut properly or opened excessively• Exhaust vent is obstructed• Recently added a large quantity of warm contents to the cabinet• Close proximity to heat source or direct sunlight• Ambient temperature or humidity is very high• Possible system leak, evaporator fan failure or compressor failure
Condensation on the cabinet or door	<ul style="list-style-type: none">• Door is not shut properly or opened excessively• Ambient temperature or humidity is very high

WARRANTY

**Congratulations on the purchase of your new Danby product.
This appliance comes with a 2 year warranty.**

Please call 0300-303-3904 to register your product and receive full terms and conditions.

This quality product is warranted to be free from manufacturer's defects in material and workmanship, provided that the unit is used under the normal operating conditions intended by the manufacturer. This warranty is available only to the person to whom the unit was originally sold by a Danby Products authorized dealer.

TERMS OF WARRANTY

During the first twenty-four (24) months, any functional parts of this product found to be defective will be repaired or replaced, at warrantor's option, at no charge to the original purchaser.

EXCLUSIONS

Save as herein provided, by Danby, there are no other warranties, conditions, representations or guarantees, express or implied, made or intended by Danby or its authorized distributors and all other warranties, conditions, representations or guarantees, including any warranties, conditions, representations or guarantees under any Sale of Goods Act or like legislation or statute is hereby expressly excluded. Save as herein provided, Danby shall not be responsible for any damages to persons or property, including the unit itself, howsoever caused or any consequential damages arising from the malfunction of the unit and by the purchase of the unit, the purchaser does hereby agree to indemnify and hold harmless Danby from any claim for damages to persons or property caused by the unit.

There are no express warranties other than those on the face here of and described above. No warranties whether expressed or implied, including but not limited to, any implied warranties of merchantability or fitness for a particular purpose, shall extend beyond the respective warranty periods provided above. This warranty does not affect the consumer's legal rights under applicable National legislation.

Service administered by UK Warranty Limited
Pacifica House, Rainton Business Park
Houghton Le Spring, England, DH4 5RA
danby.warrantyonline.co.uk

0300-303-3904
08/18



MODEL
DWC016KA1BDB

Distributed by Exertis (UK) Ltd.
Technology House, Magnesium Way, Hampton, Burnley, England, BB12 7BF