

CONTEMPORARY CLASSIC

COMPACT REFRIGERATOR
Owner's Manual.....1 - 7

MODEL

DAR044KA1MDB
DAR044KA1PDB
DAR044KA1DDB
DAR044KA1LDB



Important Safety Information

READ AND FOLLOW ALL SAFETY INSTRUCTIONS

SAFETY REQUIREMENTS

DANGER: Risk of fire or explosion. Flammable refrigerant used. Do not puncture refrigerant tubing.

- Do not use mechanical devices to defrost refrigerator.
- Ensure that servicing is done by factory authorized service personnel, to minimize product damage or safety issues.
- Consult repair manual or owner's guide before attempting to service this product. All safety precautions must be followed.
- Dispose of properly in accordance with federal or local regulations.
- Follow handling instructions carefully.

WARNING: Keep ventilation openings, in the appliance enclosure or in the built-in structure, clear of obstruction.

WARNING: Do not use mechanical devices or other means to accelerate the defrosting process, other than those recommended by the manufacturer.

WARNING: Do not damage the refrigerant circuit.

WARNING: Do not use electrical appliances inside the food storage compartments of the appliance, unless they are of the type recommended by the manufacturer.

CAUTION: Children should be supervised to ensure that they do not play with the appliance.

DANGER: Risk of child entrapment. Before throwing away an old appliance:

- Remove the door or lid.
- Leave shelves in place so that children may not easily climb inside.

This appliance is intended to be used in household and similar applications such as:

- Staff kitchen areas in shops, offices and other working environments;
- Farm houses and by clients in hotels, motels and other residential type environments;
- Bed and breakfast type environments;
- Catering and similar non-retail applications.

SAFETY REQUIREMENTS

This appliance can be used by children aged from 8 years and above and persons with reduced physical, sensory or mental capabilities or lack of experience and knowledge if they have been given supervision or instruction concerning use of the appliance in a safe way and understand the hazards involved. Children shall not play with the appliance. Cleaning and user maintenance shall not be made by children without supervision.

Do not store explosive substances such as aerosol cans with a flammable propellant in this appliance.

GROUNDING INSTRUCTIONS

This appliance must be grounded. Grounding reduces the risk of electrical shock by providing an escape wire for the electrical current.

This appliance has a cord that has a grounding wire with a 3-prong plug. The power cord must be plugged into an outlet that is properly grounded. If the outlet is a 2-prong wall outlet, it must be replaced with a properly grounded 3-prong wall outlet. The serial rating plate indicates the voltage and frequency the appliance is designed for.

WARNING - Improper use of the grounding plug can result in a risk of electric shock. Consult a qualified electrician or service agent if the grounding instructions are not completely understood, or if doubt exists as to whether the appliance is properly grounded.

Do not connect your appliance to extension cords or together with another appliance in the same wall outlet. Do not splice the power cord. Do not under any circumstances cut or remove the third ground prong from the power cord. Do not use extension cords or ungrounded (two prongs) adapters.

If the power supply cord is damaged, it must be replaced by the manufacturer, its service agent or similar qualified person in order to avoid hazard.

SAVE THESE INSTRUCTIONS!

INSTALLATION INSTRUCTIONS

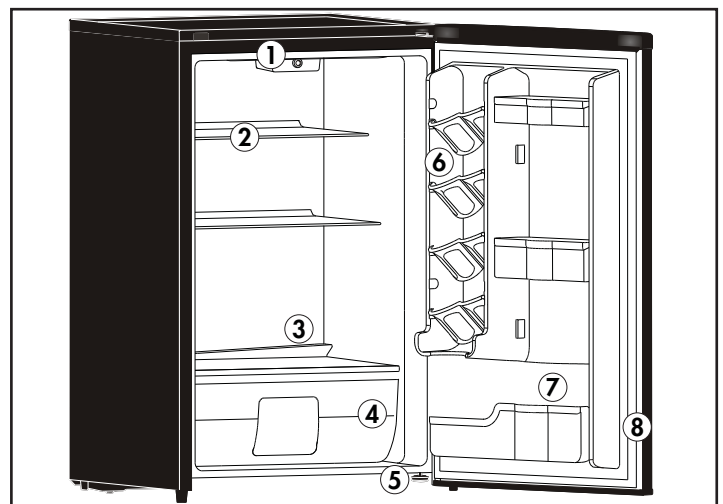
LOCATION

- Two people should be used when moving the appliance.
- Remove interior and exterior packaging prior to installation. Wipe the outside of the appliance with a soft, dry cloth and the inside with a lukewarm, wet cloth.
- Place the appliance on a floor that is strong enough to support it when it is fully loaded.
- Do not place the appliance in direct sunlight or near sources of heat, such as a stove or heater, as this can increase electrical consumption. Extreme cold ambient temperatures may also cause the appliance to perform improperly.
- Do not use the appliance near water, for example in a wet basement or near a sink.
- This appliance is intended for household use only. It is not designed for outside installation, including anywhere that is not temperature controlled (garages, porches, vehicles, etc.).
- Before connecting the appliance to a power source, let it stand upright for approximately 6 hours. This will reduce the possibility of a malfunction in the cooling system from handling during transportation.
- This appliance is 52.7 cm (20.8 inches) wide by 84 cm (33.1 inches) high by 54.1 cm (21.3 inches) deep. Make sure that you leave the minimum amount of space between the appliance and all surrounding walls and vents.
- Allow 12.7 cm (5 inches) of space between the back, sides and top of the appliance and all adjacent walls.
- This appliance is intended for free-standing installation only and is not intended to be built into a cabinet or counter. Building in this appliance can cause it to malfunction.

OPERATING INSTRUCTIONS

FEATURES

1. **Thermostat Dial:** Temperature can be adjusted by turning the thermostat dial on the inner ceiling of the appliance.
2. **Glass Shelves**
3. **Defrost Water Outlet:** Ice that forms inside the appliance will automatically thaw and drain through this outlet.
4. **Fruit and Vegetable Crisper**
5. **Leveling Leg:** Adjust so the unit is level.
6. **CANSTOR™ Door Liner:** Holds 355ml cans of pop, juice, or beer.
7. **Bottle Rack:** For tall, small and medium cans or jars.
8. **Magnetic Gasket:** Tight fitting door seal keeps all the cooling power locked inside.
9. **Interior Light** (not pictured)



OPERATING INSTRUCTIONS

THERMOSTAT DIAL AND INTERIOR LIGHT

The thermostat dial and interior light housing are located on the inner ceiling of the appliance.

TEMPERATURE SELECTION

The temperature of the appliance can be adjusted by turning the thermostat dial on the ceiling of the cabinet.

- The larger, darker dots indicate the coldest setting.
- The smaller, lighter dots indicate the warmest setting.
- The "OFF" position will turn off the cooling function.

Internal temperature of the appliance can vary based on ambient temperature, the quantity of items stored and how frequently the door is opened.

INTERIOR LIGHT

The interior LED light will turn on when the door of the appliance is opened and will turn off when the door is closed.

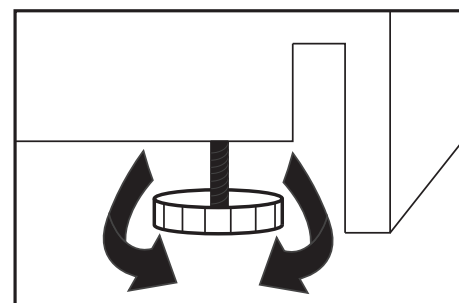
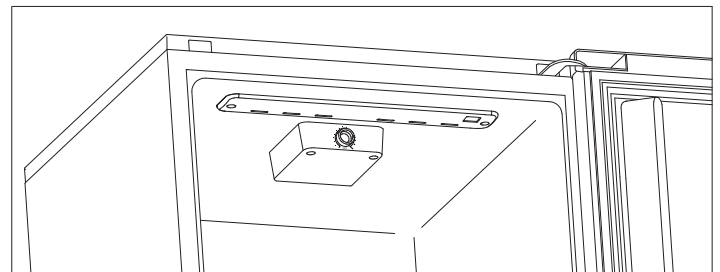
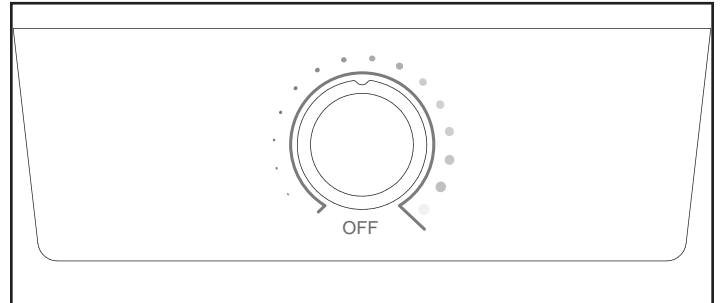
If the interior light burns out, contact a Danby certified service technician to have it replaced.

Note: The functionality of the appliance is not affected if the light has burned out.

LEVELING INSTRUCTIONS

There is an adjustable leg on the bottom of the appliance that can be turned up or down to ensure that the appliance is level.

1. Turn the leveling leg counter-clockwise as far as it will go, until the top of the foot is touching the bottom of the chassis.
2. Slowly turn the leveling leg clockwise until the appliance is level.



OPERATING INSTRUCTIONS

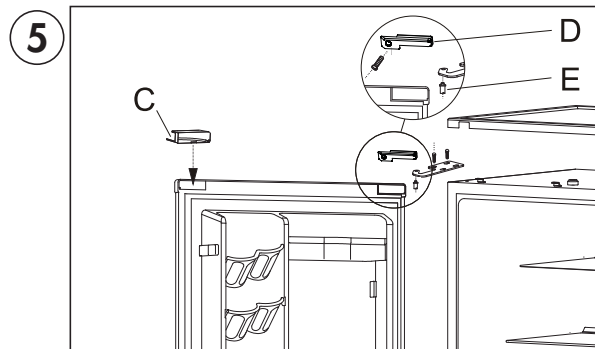
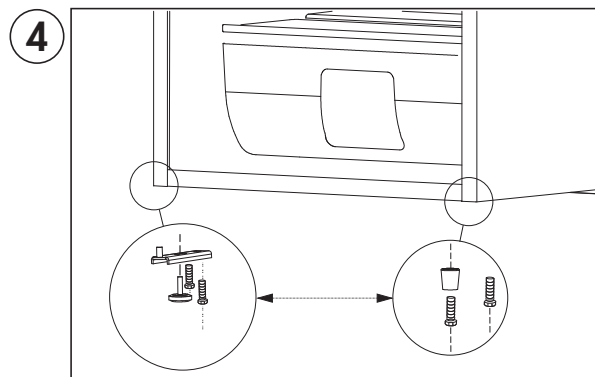
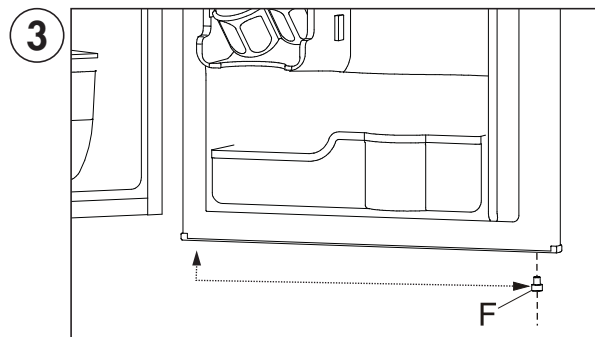
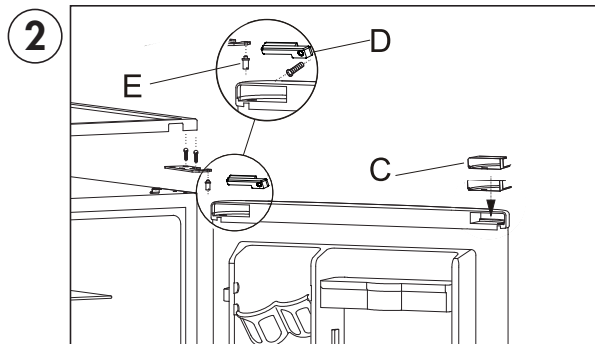
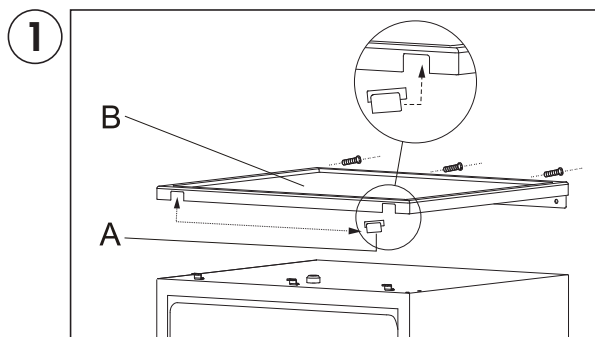
DOOR REVERSAL INSTRUCTIONS

If the appliance is placed on its back or side for any length of time during this process, it must be allowed to remain upright for 6 hours before plugging it in to avoid damage to the internal components.

1. Remove the three screws from the back of the worktop, lift the back of the worktop and pull it toward the front of the appliance to remove it. Remove the worktop hinge hole cover from the left side of the worktop and move it to the hinge hole on the right side of the worktop. See figure 1.
2. Remove the screw from the door spindle cover and remove the upper right hinge and door from the chassis. Remove the door spindle from the upper right hinge. See figure 2.
3. Remove the lower hinge hole cover from the bottom left side of the door and move it to the bottom right side of the door. See figure 3.
4. Remove the adjustable foot and the two screws holding the bottom hinge. Move the bottom hinge to the left side of the chassis and install with the screws. Install the adjustable foot on the left side of the appliance and move the solid foot to the right side of the appliance. See figure 4.
5. The upper left hinge is in the accessory bag inside the appliance. Install the door spindle on the upper left hinge. Install the upper left hinge and door onto the chassis. Install the door spindle cover with a screw. Reinstall the worktop by laying it on top of the appliance and pushing it toward the back until it clicks into place and then reinstall the three screws at the back. See figure 5.

Note: When reinstalling the door, ensure that the top of the door is level with the top of the chassis and that the rubber gasket makes a good seal with the chassis all the way around.

- | |
|--|
| <p>A. Worktop Hinge Hole Cover
B. Worktop
C. Door Hinge Hole Cover
D. Door Spindle Cover
E. Door Spindle
F. Lower Hinge Hole Cover</p> |
|--|



CARE & MAINTENANCE

CLEANING

Ensure the appliance is unplugged before cleaning.

- To clean the inside of the appliance, use a soft cloth and a solution of a tablespoon of baking soda to one quart of water or a mild soap solution or some mild detergent.
- Wash removable shelves in a mild detergent solution, then dry and wipe with a soft cloth.
- Clean the outside with a soft, damp cloth and some mild detergent.
- It is important to keep the area clean where the door seals against the cabinet. Clean this area with a soapy cloth. Rinse with a damp cloth and let dry.

Note: Do not use cleaners containing ammonia or alcohol on the appliance. Ammonia or alcohol can damage the appearance of the appliance. Never use any commercial or abrasive cleaners or sharp objects on any part of the appliance.

POWER FAILURE

Most power failures are corrected within a few hours and should not affect the temperature of your appliance if you minimize the number of times the door is opened. If the power is going to be off for a longer period of time, take the proper steps to protect your contents.

Note: Wait 3 to 5 minutes before attempting to restart the refrigerator if operation has been interrupted.

DEFROST

This appliance is equipped with an automatic defrost function and does not require manual defrosting. Defrost water from the appliance is channeled into a drip tray located above the compressor. Heat transfer from the compressor causes the defrost water to evaporate.

VACATION

- **Short vacations:** Leave the appliance operating during vacations of less than three weeks.
- **Long vacations:** If the appliance will not be used for several months, remove all items and turn off the appliance. Clean and dry the interior thoroughly. To prevent odor and mold growth, leave the door open slightly, blocking it open if necessary.

MOVING

- Make sure the appliance is empty.
- Secure the shelves with tape.
- Secure the door with tape.
- Turn the adjustable foot up to the base to avoid damage.
- Protect the outside of the appliance with a blanket or similar item.
- Be sure the appliance stays in the upright position during transportation.
- If the appliance is placed on its back or side during transportation, upon reaching the destination, allow it to remain upright for 6 hours before plugging in to avoid damage to internal components.

DISPOSAL



This marking indicates that this product should not be disposed with other household wastes throughout the EU. To prevent possible harm to the environment or human health from uncontrolled waste disposal, recycle it responsibly to promote the sustainable reuse of material resources. To return your used device, please use the return and collection systems or contact the retailer where the product was purchased. They can take this product for environmental safe recycling.

TROUBLESHOOTING

Danby Consumer Care

Phone: 0300 303 3904

Email: danby@ukwarranty.com

Appliance warranty registration: <https://danby.warrantyonline.co.uk>

Information in this manual is subject to change without notice.

PROBLEM	POSSIBLE CAUSE
No power	<ul style="list-style-type: none">• A fuse may be blown or the circuit breaker tripped• Plug not fully inserted into the wall outlet
Internal temperature not cold enough	<ul style="list-style-type: none">• Temperature setting is too warm• Door is not shut properly or opened excessively• Exhaust vent is obstructed• Recently added a large quantity of warm food to the cabinet• Close proximity to heat source or direct sunlight• Ambient temperature or humidity is very high
Appliance runs continuously	<ul style="list-style-type: none">• Temperature setting is too cold• Door not shut properly or opened excessively• Exhaust vent is obstructed• Recently added a large quantity of warm food to the cabinet• Close proximity to heat source or direct sunlight• Ambient temperature or humidity is very high

WARRANTY

**Congratulations on the purchase of your new Danby product.
This appliance comes with a 2 year warranty.**

Please call 0300-303-3904 to register your product and receive full terms and conditions.

This quality product is warranted to be free from manufacturer's defects in material and workmanship, provided that the unit is used under the normal operating conditions intended by the manufacturer. This warranty is available only to the person to whom the unit was originally sold by a Danby Products authorized dealer.

TERMS OF WARRANTY

During the first twenty-four (24) months, any functional parts of this product found to be defective will be repaired or replaced, at warrantor's option, at no charge to the original purchaser.

EXCLUSIONS

Save as herein provided, by Danby, there are no other warranties, conditions, representations or guarantees, express or implied, made or intended by Danby or its authorized distributors and all other warranties, conditions, representations or guarantees, including any warranties, conditions, representations or guarantees under any Sale of Goods Act or like legislation or statute is hereby expressly excluded. Save as herein provided, Danby shall not be responsible for any damages to persons or property, including the unit itself, howsoever caused or any consequential damages arising from the malfunction of the unit and by the purchase of the unit, the purchaser does hereby agree to indemnify and hold harmless Danby from any claim for damages to persons or property caused by the unit.

There are no express warranties other than those on the face here of and described above. No warranties whether expressed or implied, including but not limited to, any implied warranties of merchantability or fitness for a particular purpose, shall extend beyond the respective warranty periods provided above. This warranty does not affect the consumer's legal rights under applicable National legislation.

Service administered by UK Warranty Limited
Pacifica House, Rainton Business Park
Houghton Le Spring, England, DH4 5RA
danby.warrantyonline.co.uk

0300-303-3904
08/18

Model

DAR044KA1MDB

DAR044KA1PDB

DAR044KA1DDB

DAR044KA1LDB