



# HOOVER

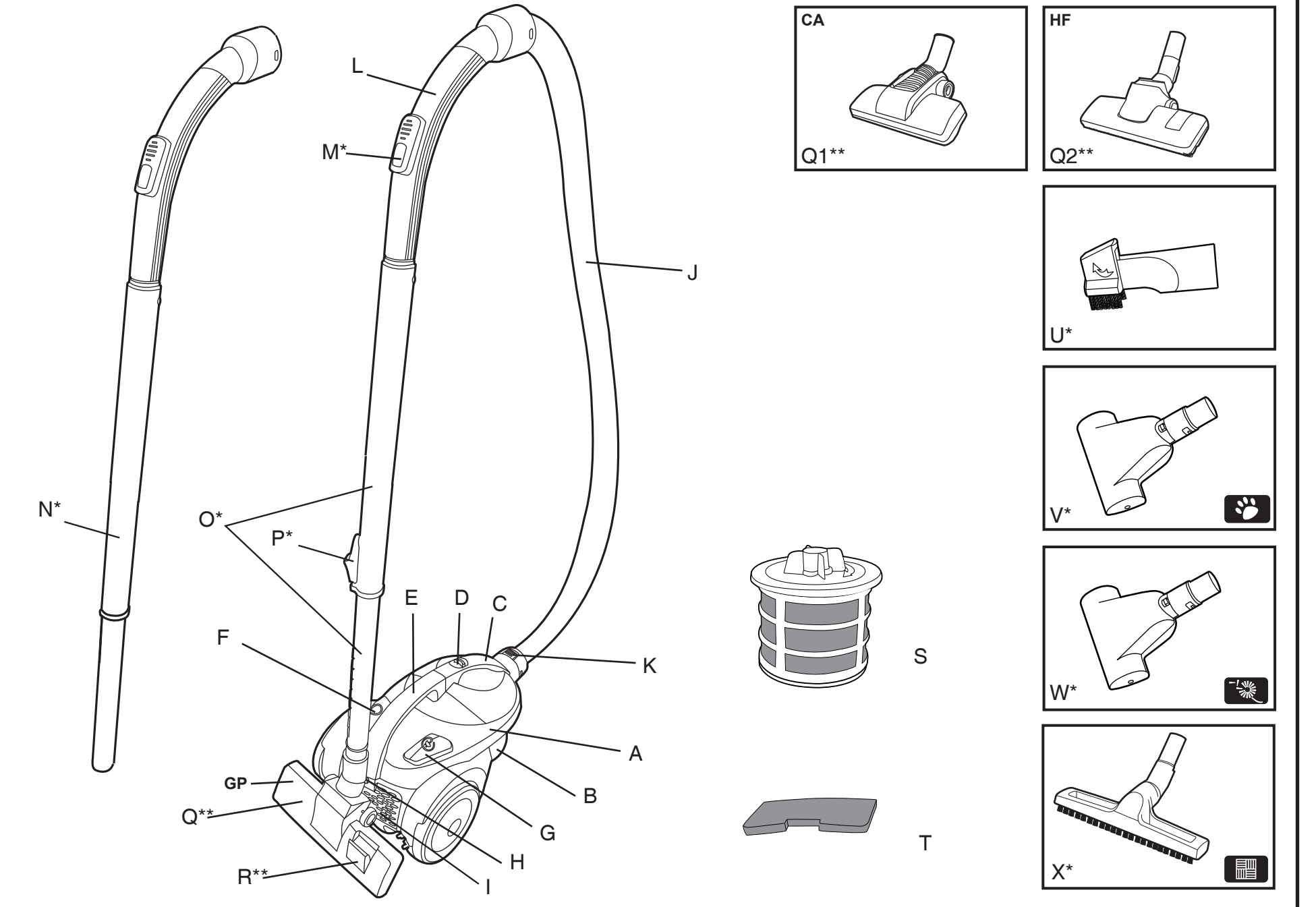


USER MANUAL



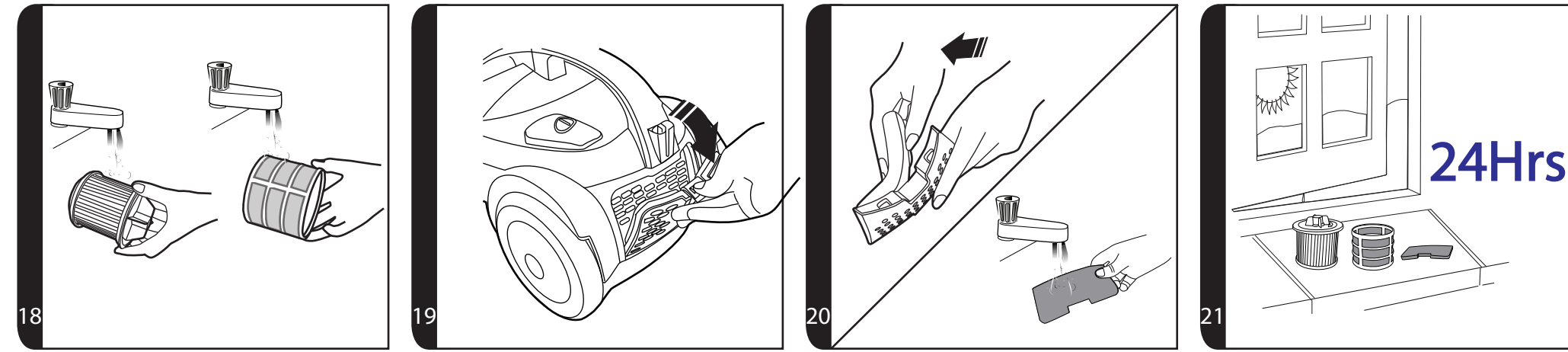
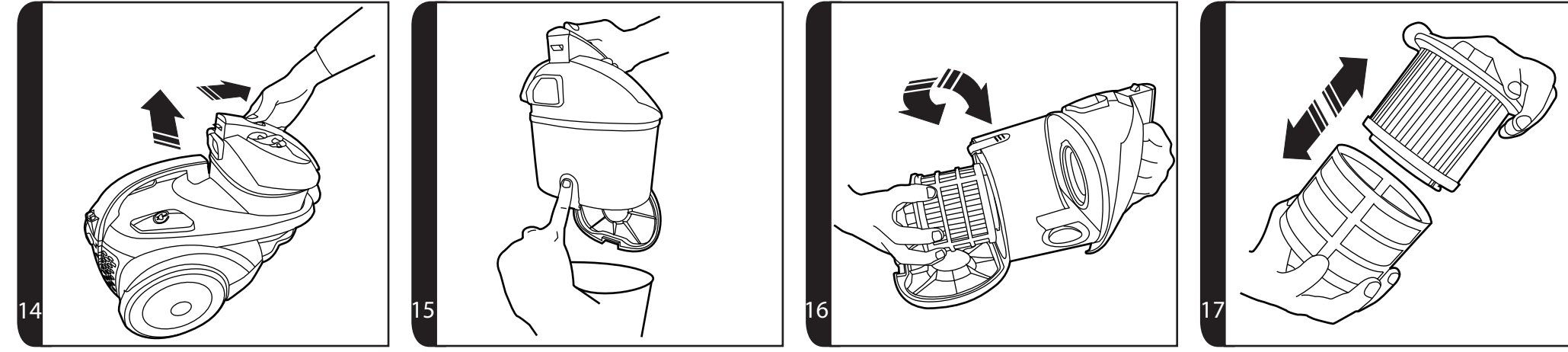
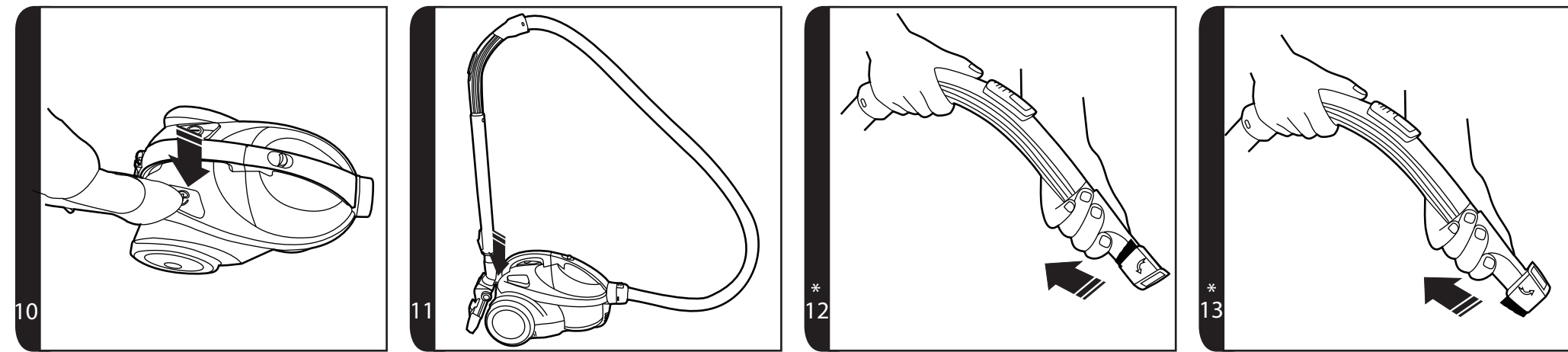
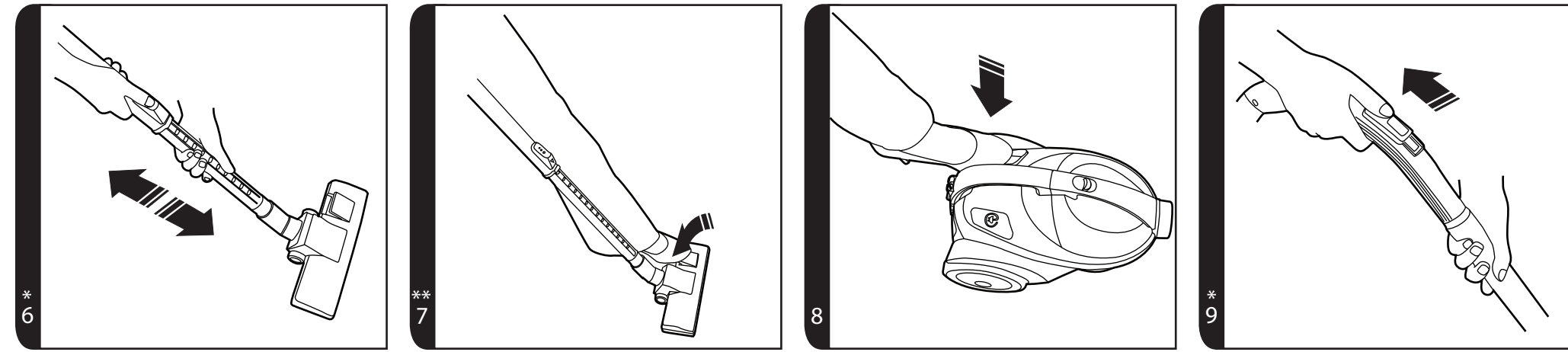
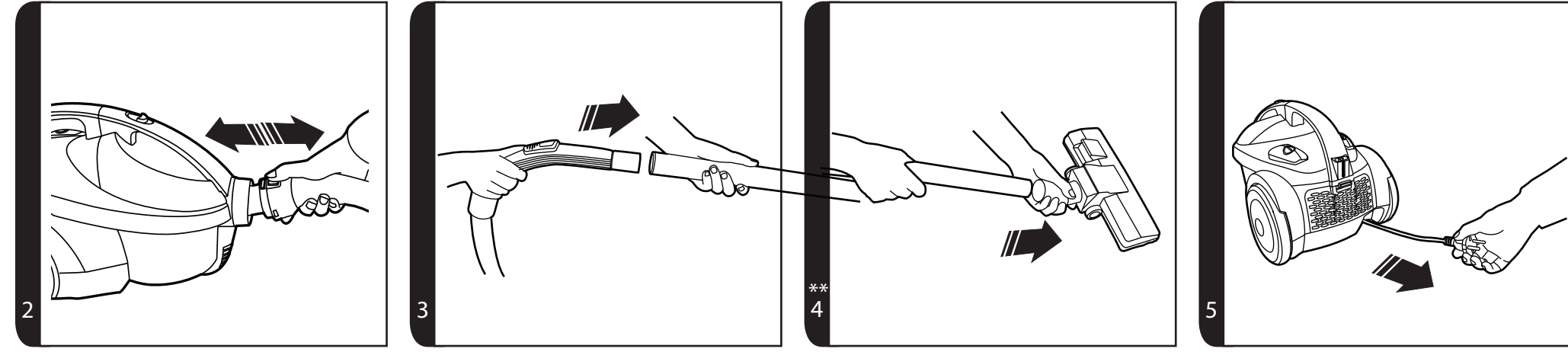
PRINTED IN P.R.C.  
48011754-1

1



\* Certain models only

\*\* Certain models only, nozzles may vary according to model



\* Certain models only

\*\* Certain models only, nozzles may vary according to model

## INSTRUCTIONS FOR SAFE USE

This appliance should only be used for domestic cleaning, as described in this user guide. Please ensure that this guide is fully understood before operating the appliance.

Do not leave the appliance plugged in. Always switch off and remove the plug from the socket after use, or before cleaning the appliance or any maintenance task.

This appliance can be used by children aged from 8 years and above and persons with reduced physical, sensory or mental capabilities or lack of experience and knowledge if they have been given supervision or instruction concerning use of the appliance in a safe way and understand the hazards involved. Children shall not play with the appliance. Cleaning and user maintenance shall not be made by children without supervision.

If the power cord is damaged stop using the appliance immediately. To avoid a safety hazard, an authorised HOOVER service engineer must replace the power cord.

Keep hands, feet, loose clothing and hair away from rotating brushes.

Use only attachments, consumables or spares recommended or supplied by HOOVER.

**Static electricity:** Some carpets can cause a small build up of static electricity. Any static discharge is not hazardous to health.

Do not use your appliance out of doors or on any wet surface or for wet pick up.

Do not pick up hard or sharp objects, matches, hot ashes, cigarette ends or other similar items.

Do not spray with or pick up flammable liquids, cleaning fluids, aerosols or their vapours.

Do not run over the power cord when using your appliance or remove the plug by pulling on the power cord.

Do not continue to use your appliance if it appears faulty.

**HOOVER service:** To ensure the continued safe and efficient operation of this appliance we recommend that any servicing or repairs are only carried out by an authorised HOOVER service engineer.

Do not stand on or wrap the cord around arms or legs when using your appliance.

Do not use the appliance to clean animals or people.

Do not position the appliance above you when cleaning the stairs.

### The Environment

The symbol on this appliance indicates that this appliance may not be treated as household waste. Instead it must be handed over to the applicable collection point for the recycling of electrical and electronic equipment. Disposal must be carried out in accordance with local environmental regulations for waste disposal. For more detailed information about treatment, recovery and recycling of this appliance, please contact your local city office, your household and waste disposal service or the shop where you purchased the appliance.



 This appliance complies with the European Directives 2014/35/EU, 2014/30/EU and 2011/65/EU.

CANDY HOOVER GROUP S.r.l. Via Privata Eden Fumagalli, 20861 Brugherio (MB) Italy

## GETTING TO KNOW YOUR CLEANER

- A. Cleaner main body
- B. Dust Container
- C. Dust Container Handle
- D. Dust Container Release Button
- E. Cleaner Handle
- F. On/Off Button
- G. Cord Rewind Button
- H. Nozzle Parking Slot
- I. Exhaust Filter Cover
- J. Hose
- K. Hose Release Button
- L. Hose Handle
- M. Suction Regulator\*
- N. Standard Tube\*
- O. Telescopic Tube\*
- P. Telescopic Tube Adjuster\*
- Q. Carpet and Floor Nozzle(GP)\*\*
  - Q1. Carpet Nozzle (CA)\*\*
  - Q2. Hard Floor Nozzle (HF)\*\*
- R. Floor Type Selector Pedal\*\*
- S. Pre-motor Filter and Protective Mesh
- T. Exhaust Filter
- U. Accessories Holder\*
- V. 2 in 1 Tool (Crevice Tool/Dusting Brush)
- W. Pet Hair Remover Mini Turbo Nozzle\*
- X. Allergen Remover Mini Turbo Nozzle\*
- Y. Hard Floor Nozzle\*

## ASSEMBLING YOUR CLEANER

Remove all components from the packaging.

1. Connect the hose to the cleaner main body, ensuring it clips and locks into position.
2. To release the hose: simply press the two hose release buttons on the hose end and pull it out. [2]
3. Connect the hose handle to the telescopic tube\* upper end. [3]
4. Connect the telescopic tube\* lower end to the carpet and floor nozzle\*\*. [4]

\*Certain Models Only \*\* Certain models only, nozzles may vary according to model

## USING YOUR CLEANER

1. Extract power cord and plug it into the power supply. [5] Do not pull the cord beyond the red marker.
2. Adjust the telescopic tube\* to the desired height by moving the telescopic tube adjuster up and raise or lower the handle to the most comfortable cleaning position. [6]
3. Carpet & Floor Nozzle\*\*. Press the floor type selector pedal on the nozzle [7] to select the ideal cleaning mode for the floor type.
  - Hard Floor** – Brushes are lowered to protect the floor.
  - Carpet** – Brushes are raised for the deepest clean.
4. Switch the cleaner on by pressing the On/Off button on the cleaner main body. [8]
5. Vary the suction as desired by closing or opening the suction regulator\* on the hose handle. [9]
6. Switch off at the end of use by pressing the On/Off button. [8] Unplug and press the cord rewind button to wind the power cord back into the cleaner. [10]
7. To store your cleaner, park the nozzle in the parking slot at the rear of the cleaner main body. [11]

## ACCESSORIES

To obtain the best performance and efficiency it is recommended that the correct nozzles are used for the main cleaning operations. These nozzles are indicated in the diagrams by the letters **GP**, **HF** or **CA**.

A nozzle type **GP** can be used to clean both carpet and hard floor.

A nozzle type **HF** is suitable for use only on hard floor.

A nozzle of type **CA** is suitable for use only on carpet.

The other nozzles are accessories for specialist cleaning tasks and are recommended for occasional use only.

All accessories can be fitted to the hose handle or the end of the tubes.

**2 in 1 Tool** combines several functions into one tool:

**Crevice Tool** – For corners and hard to reach areas. [12]

**Dusting Brush** – For bookshelves, frames, keyboards and other delicate areas. [13]

**Pet Hair Remover Mini Turbo Nozzle\*** - Use the mini turbo nozzle on stairs or for deep cleaning on textile surfaces and other hard to clean areas. Particularly suitable for pet hairs removal. [1X]

**Allergen Remover Mini Turbo Nozzle\*** – Use the mini turbo nozzle on stairs or for

deep cleaning on textile surfaces and other hard to clean areas. Particularly suitable for allergen removal. [1Y]

**Hard Floor Nozzle\*** – For parquet floors and other delicate floors. [1Z]

**IMPORTANT:** Do not use the Mini Turbo Nozzles on rugs with long fringes, animal hides and carpet pile deeper than 15mm. Do not keep the nozzle stationary while the brush is rotating.

## CLEANER MAINTENANCE

### Emptying the Dust Container

When the dust reaches the max level indicator on the container, empty the dust container.

**IMPORTANT:** To maintain optimum performance, do not allow the dust to sit higher than the max level.

1. Release the dust container by sliding the dust container release button towards the front of the cleaner. Lift the dust container from the cleaner main body. [14]
2. Before emptying the Dust Container, gently tap it against the side of a bin to release any excess dust from the filter.
3. To empty the Dust Container, hold the Dust Container over a bin with one hand and use the other hand to press the Dust Container Flap Opening Button to release the dust into the bin. [15]
4. Close the Dust Container Flap and refit the Dust Container to the cleaner main body.

### Cleaning the washable filters

The cleaner is fitted with a pre-motor and exhaust filter. To maintain optimum cleaning performance, regularly clean the filters. Remove excess dust from the filters by gently tapping them against the side of a bin. The filters should be washed after every 5 container empties.

**IMPORTANT:** All bagless cleaners require regular filter cleaning. Failure to clean your filters may result in air blockage, overheating and product failure. This may invalidate your guarantee.

**IMPORTANT:** Regularly check and maintain the filters by following the filter maintenance instructions, it is also recommended that you purchase new filters after every 3rd filter wash. This will maintain your cleaners performance.

#### To access the Pre-Motor filter:

1. Empty the Dust Container as described in 'Emptying the Dust Container'. Then, keeping the Dust Container Flap open:
2. Remove the pre-motor filter by rotating it clockwise at the bottom of the Dust Container. [16]
3. Separate the protective mesh from the filter. [17] Gently tap both the protective

\*Certain Models Only \*\* Certain models only, nozzles may vary according to model

mesh and the filter against the side of a bin to remove excess dust and wash both of them under warm water. [18] Do not use hot water or detergents.

4. Remove excess water from the filter and leave it to dry fully before reusing. [21]
5. Once the filter is fully dry, reassemble the filter pack (protective mesh and filter) and refit to cleaner.

**IMPORTANT:** Do not use the product without the pre-motor filter pack fitted.

**IMPORTANT:** Always ensure the filter packs are fully dry before use.

#### To access the exhaust filter:

1. Unclip the exhaust grid from the rear of the cleaner. [19]
2. Separate the filter from the grid and wash the filter under warm water. [20] Do not use hot water or detergents.
3. Remove excess water from the filter and leave to dry fully before reusing. [21]
4. Remount the filter into the grid and refit it to the cleaner.

**REMEMBER:** Do not use hot water or detergents. In the unlikely event of the filters becoming damaged, fit a Genuine Hoover consumable. Do not try and use the product without a filter fitted.

### Removing a blockage

1. Check if the dust container is full. If so refer to 'Emptying the Dust Container'.
2. If the dust container is empty but suction is still low:
  - A. Do the filters need cleaning? If so refer to 'Cleaning the Washable Filters'.
  - B. Check if there is any other blockage in the system - Use a rod or pole to remove any blockage from the extension tube or flexible hose.
  - C. Check if pre-motor filter is fitted and filter door is closed

**Warning (Certain models only\*)** - If the cleaner is used for a significant period of time with a blockage, a thermal cut out will switch the cleaner off to prevent overheating. The bag check indicator turn green once the cleaner has switched off to signal that the thermal cut out has been activated. If this should happen, switch the cleaner off, unplug and correct the fault. It will take about 45 minutes for the cut out to automatically reset.

## USER CHECKLIST

Should you have a problem with the product, complete this simple user checklist before calling your local Hoover service.

- Is there a working electricity supply to the cleaner? Please check with another electrical appliance.
- Is the Bag over-filled? Please refer to 'Cleaner Maintenance'.
- Is the filter blocked? Please refer to 'Cleaner Maintenance'.
- Is the hose or nozzle blocked? Please refer to 'Removing a Blockage'.

- Has the cleaner overheated? If so, it will take approximately 45 minutes to automatically reset.

## **IMPORTANT INFORMATION**

### **Hoover spares and Consumables**

Always replace parts with genuine Hoover spares. These are available from your local Hoover dealer or direct from Hoover. When ordering parts always quote your model number.

### **Hoover Customer Helpline Service**

Should any faults occur with your cleaner during the first 12 months contact the Hoover Customer Helpline on the number below.

**Tel: 08444 995 599**

**Email: [customer.services@hoovercandy.com](mailto:customer.services@hoovercandy.com)**

### **Quality**

BSI ISO 9001

Hoover's factories have been independently assessed for quality. Our products are made using a quality system which meets the requirements of ISO 9001

### **Your Guarantee**

The guarantee conditions for this appliance are as defined by our representative in the country in which it is sold. Details regarding these conditions can be obtained from the dealer from whom the appliance was purchased. The bill of sale or receipt must be produced when making any claim under the terms of this guarantee.

Subject to change without notice.