

USER GUIDE

Konftel Cam20



SAFETY PRECAUTIONS

Carefull installation

This product should be placed stable and securely. The product should not come in contact with any liquid, gas or solid material that may cause corrosion to the shell.

Unauthorized disassembly

This product has no parts which can be repaired by the user. Damage caused by the user's own disassembly is not covered by warranty.



Warning!

Electromagnetic fields at specific frequencies may affect the image.



Warning!

Do not expose the Konftel Cam20 to water or moisture.



Warning!

Do not open the casing of the Konftel Cam20.



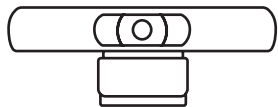
Konftel AB hereby declares that this conference camera is in conformity with all the essential requirements and other relevant provisions of Directive 1999/5/EC.

Please visit www.konftel.com to view the complete declaration of conformity.

TABLE OF CONTENTS

Packing list	4
Installation	5
Remote control	6-7
Service and Warranty	8

PACKING LIST



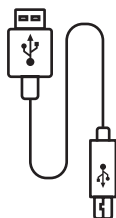
Konftel Cam20



Remote Control



2x Batteries AAA



5 m USB 2.0 Type-A/Type-B

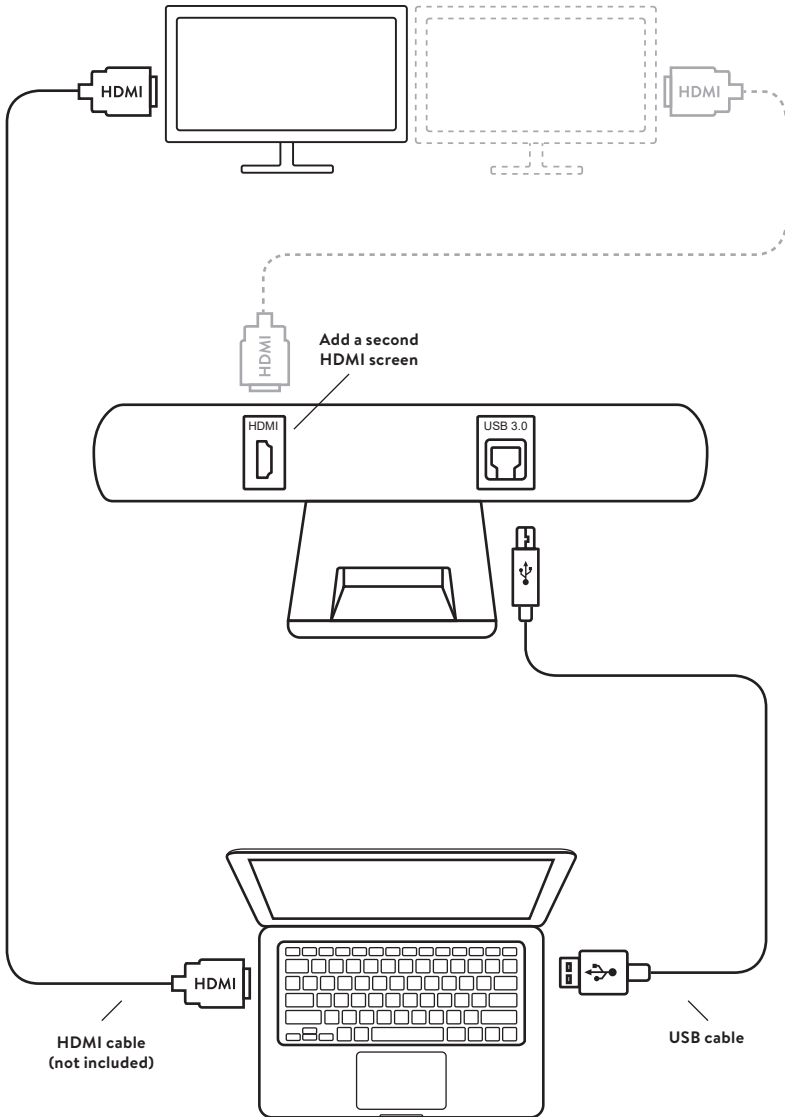


Quick Guide

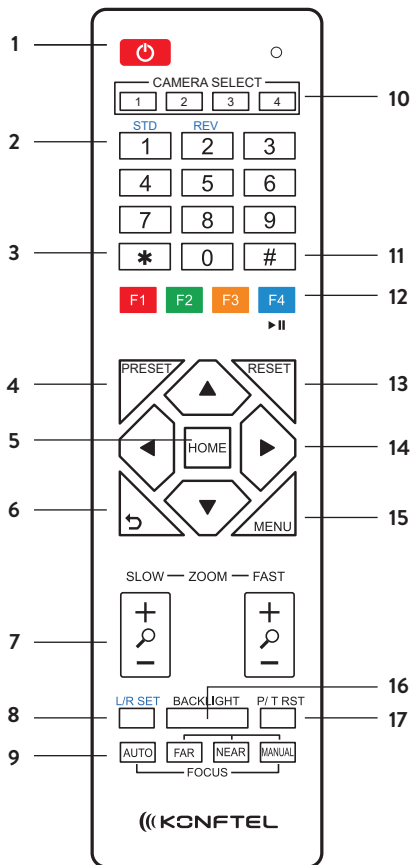


Safety declaration

INSTALLATION



REMOTE CONTROL



REMOTE CONTROL

No.	Name	Function Description
1	Standby Button	Enter into standby mode (not supported)
2	Position Buttons	To set preset or call preset
3	* Button	Used with other buttons
4	Set Preset Button	Store a preset position. [PRESET] + Numeric button (0-9): Setting a corresponding numeric key preset position.
5	Pan-Tilt Control Button	Press [HOME] back to the middle position.
6	Back Button	Press to return to previous
7	Zoom Buttons	Slow Zoom: Zoom In [+] or Zoom Out [-] slowly Fast Zoom: Zoom In [+] or Zoom Out [-] fast
8	Set Pan Left/Right	Setting the direction of the pan. <ul style="list-style-type: none"> Simultaneously press [L/R SET] + 1 [STD]: set the pan turn the same direction as the L/R Set. Simultaneously press [L/R SET] + 2 [REV]: set the pan turn the opposite direction as the L/R Set.
9	Focus Buttons	Used for focus adjustment. Press [AUTO] to adjust the focuses on the center of the object automatically. Press [MANUAL] to adjust the focus on the center of the object manually. Adjust it with [FAR] (Focus on far object) and [NEAR] (Focus on near object).
10	Camera Select Buttons	Press the button corresponding to the camera you want to operate with the remote controller.
11	# Button	Used with other buttons
12	Set Camera IR Address Buttons	[*]+[#]+[F1]: Address 1 [*]+[#]+[F2]: Address 2 [*]+[#]+[F3]: Address 3 [*]+[#]+[F4]: Address 4
13	Clear Preset Buttons	Clear preset: Erase a preset position. [RESET] + Numeric button (0-9)
14	Pan/Tilt Control Buttons	Press arrow buttons to perform panning and tilting. Press [HOME] button to return to original position.
15	Menu Button	Press [MENU] to enter or exit menu.
16	BLC (Backlight Compensation) ON/OFF Button	Press [BLC ON/OFF] to enable the backlight compensation. Press it again to disable the backlight compensation. NOTE: <ul style="list-style-type: none"> Effective only in auto exposure mode. If a light is behind the subject, the subject will become dark. In this case, press the [BACKLIGHT ON/OFF] button. To cancel this function, press [BACKLIGHT ON/OFF] button.
17	PTZ Reset Button	Not supported

SERVICE AND WARRANTY

Warranty

We give a two-year warranty on our conference devices.

Service

Service is offered after the expiration of the warranty. Please contact your reseller and ask for a cost estimate.

Konftel support

If you have any questions about the warranty and service, please contact your Konftel support centre.

Europe:

+44 1483 308 003 (Monday-Friday 8.00 AM-5.00 PM GMT-1)

+46(0)90-706 489 (Monday-Friday 8.00-17.00 GMT+1)

E-mail: support@konftel.com

Website: www.konftel.com/contact-support

USA and Canada:

+1 866-606-4728 (Monday-Friday 08.00-17.00 GMT-8)

E-mail: support@konftel.com

Website: www.konftel.com/contact-support

Konftel is a leading company within collaboration endpoint solutions. Since 1988, our mission has been to help people in businesses around the world to have meetings regardless of distance. Based on our success, we know that remote collaboration is a smooth way to save time, money and at the same time contribute to a more sustainable world.

Crystal clear audio and a sharp video image are essential for efficient meetings, this is why we only focus on cutting-edge technology in our Collaboration Solutions.

Our audio technology OmniSound® is built into all Konftel Conference phones and devices. The products are sold globally under the Konftel brand and our headquarter is based in Sweden.

Read more about the company and our products at konftel.com.

Konftel AB, Box 268, SE-901 06 Umeå, Sweden

Tel: +46 90 70 64 89 **E-mail:** info@konftel.com