

Dual-Monitor Stand - Vertical

ARMBARDUOV



*actual product may vary from photos

FR: Guide de l'utilisateur - fr.startech.com

DE: Bedienungsanleitung - de.startech.com

ES: Guía del usuario - es.startech.com

NL: Gebruiksaanwijzing - nl.startech.com

PT: Guia do usuário - pt.startech.com

IT: Guida per l'uso - it.startech.com

For the latest information, technical specifications, and support for this product, please visit www.StarTech.com/ARMBARDUOV.

Use of Trademarks, Registered Trademarks, and other Protected Names and Symbols

PHILLIPS® is a registered trademark of Phillips Screw Company in the United States or other countries.

This manual may make reference to trademarks, registered trademarks, and other protected names and/or symbols of third-party companies not related in any way to StarTech.com. Where they occur these references are for illustrative purposes only and do not represent an endorsement of a product or service by StarTech.com, or an endorsement of the product(s) to which this manual applies by the third-party company in question. Regardless of any direct acknowledgement elsewhere in the body of this document, StarTech.com hereby acknowledges that all trademarks, registered trademarks, service marks, and other protected names and/or symbols contained in this manual and related documents are the property of their respective holders.

Warning statements

Make sure to assemble this product according to the instructions. Failure to do so might result in personal injury or property damage.

Make sure that the weight of the monitors doesn't exceed the weight capacity of this product. If you exceed the weight capacity, you might experience personal injury or damage to the equipment. This product can support the following weight: 10 kg/22 lb, per monitor mount.

Never operate this product if parts are missing or damaged.

Varningsmeddelanden

Se till att du monterar produkten i enlighet med instruktionerna. Om du inte gör det kan skada på person eller egendom uppstå.

Se till att skärmens vikt inte överstiger produktens viktkapacitet. Om viktkapaciteten överstigs kan skada på person eller utrustning uppstå. Denna produkt har stöd för följande vikter: 10 kg per skärm.

Använd aldrig produkten om delar saknas eller är skadade.

Avertissements

Assemblez ce produit conformément aux instructions. Si vous ne respectez pas ces instructions, vous risquez de vous blesser ou d'endommager l'équipement.

Vérifiez que le poids du moniteur ne dépasse pas la capacité pondérale du produit. Si vous dépassez la capacité pondérale, vous risquez des blessures corporelles ou des dommages matériels. Ce produit peut supporter 10 kg par écran.

N'utilisez pas ce produit si des pièces sont endommagées ou manquantes.

Warnhinweise

Montieren Sie dieses Produkt gemäß den Anweisungen. Anderenfalls kann dies zu Verletzungen von Personen oder Schäden an Eigentum führen.

Das Gewicht des Monitors darf die zulässige Traglast des Produkts nicht übersteigen. Wenn die Traglast überschritten wird, kann dies zu Verletzungen von Personen oder Schäden an Geräten führen. Dieses Produkt ist für folgendes Gewicht geeignet: 10 kg pro Monitor.

Das Produkt darf nicht bedient werden, wenn Teile fehlen oder beschädigt sind.

Dichiarazioni di avvertenza

Assemblare il prodotto rispettando le istruzioni. Il mancato rispetto delle istruzioni potrebbe causare danni a persone o proprietà.

Verificare che il peso del monitor non superi la capacità di supporto del prodotto. In caso di superamento della capacità di supporto potrebbero verificarsi danni a persone o apparecchiature. Il prodotto è in grado di supportare i seguenti pesi: 10 kg per monitor.

Non utilizzare il prodotto in presenza di parti mancanti o danneggiate.

Mensagens de aviso

Certifique-se de que monta este produto de acordo com as instruções. O incumprimento pode resultar em ferimentos pessoais ou danos de propriedade.

Certifique-se de que o peso do monitor não excede a capacidade de peso deste produto. Se exceder a capacidade de peso, pode sofrer ferimentos pessoais ou danos no equipamento. Este produto pode suportar o seguinte peso: 10 kg por monitor.

Nunca opere este produto se faltarem peças ou estas estiverem danificadas.

Advertencias de uso

Asegúrese de ensamblar este producto según las instrucciones. De lo contrario, pueden producirse lesiones personales o daños de propiedad.

Asegúrese de que el peso del monitor no exceda la capacidad de carga de este producto. Si se excede dicha capacidad se podrían producirse lesiones personales o daños al equipo. Este producto tiene capacidad para el siguiente peso: 10 kg por monitor.

Nunca opere o ponga en funcionamiento este producto si faltan piezas o hay daños en las mismas.

Waarschuwingen

Zorg dat dit product volgens de instructies in elkaar wordt gezet. Indien dit niet goed gebeurt kan lichamelijk letsel of materiële schade ontstaan.

Zorg dat het gewicht van het scherm de maximale capaciteit van dit product niet overschrijdt. Als u de gewichtscapaciteit overschrijdt, kan persoonlijk letsel of schade aan de apparatuur ontstaan. Dit product ondersteunt het volgende gewicht: 10 kg per monitor.

Gebruik dit product nooit als er onderdelen ontbreken of beschadigd zijn.

注意

必ず取扱説明書に従って本製品の組み立てを行って下さい。取り扱いを誤った場合に、傷害を負う恐れや物的損害が発生する恐れがあります。

取り付けるモニターの重量が、本製品で定められた最大積載重量を超えないようにして下さい。最大積載重量をオーバーした場合、傷害を負う恐れやモニターや本製品に損害が発生する恐れがあります。本製品は、モニター1台あたり10kgまで支持できます。

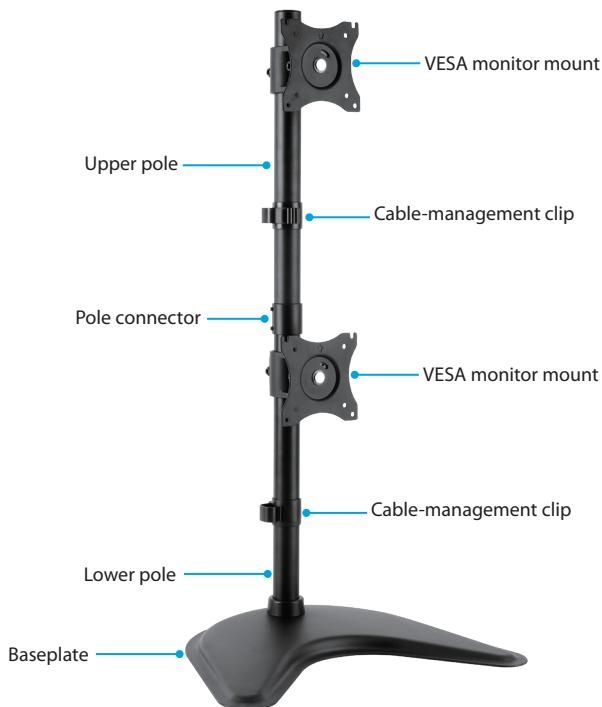
本製品で使用している部品の一部が紛失していたり損傷している状態で使用するの絶対的に止めて下さい。

Table of Contents

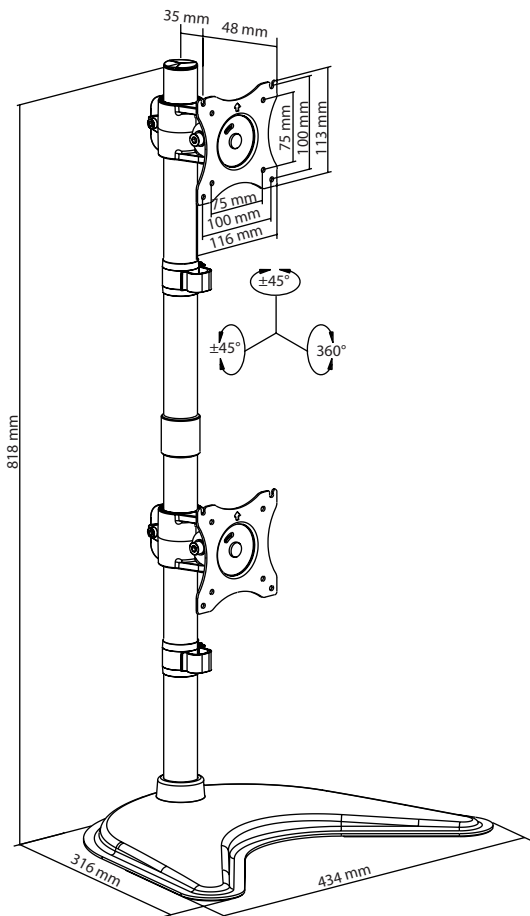
Warnings	i
Introduction	1
Product diagram.....	1
Product dimensions	2
Technical specifications	3
Package contents.....	4
Requirements.....	6
Assembly	7
Assemble the lower pole.....	7
Attach a VESA monitor mount.....	8
Attach the upper pole.....	9
Attach the second VESA monitor mount.....	10
Attach monitors to the VESA monitor mounts.....	11
Adjust the tilt angle of your monitor	15
Adjust the monitors	16
Technical support.....	17
Warranty information	17

Introduction




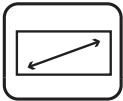
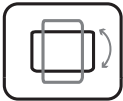

Product diagram



Product dimensions



Technical specifications

Type of measurement	Measurement
VESA mounting hole pattern 	75x75 100x100
Weight capacity 	Up to 10 kg (22 lb.) per monitor mount
Tilt 	+45° to -45°
Screen size 	Between 330 mm and 686 mm (13 in. and 27 in.)
Rotate 	360°
Swivel 	+45° to -45°

Package contents

1



Baseplate
Qty: One

2



Lower pole
Qty: One

3



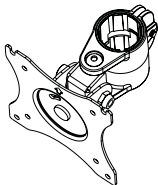
Upper pole
Qty: One

4



Pole connector
Qty: One

5



VESA monitor mounts
Qty: Two

6



Cable-management clips
Qty: Two

7



Cap
Qty: One

8



3 mm hex key
Qty: One

9



5 mm hex key
Qty: One

10



6 mm hex key
Qty: One

11



M4x12 mm screws
Qty: Eight

12



M5x12 mm screws
Qty: Eight

13



Washers
Qty: Eight

14



Instruction manual
Qty: One

Requirements

- Two monitors or displays that are compatible with one of the mounting hole patterns that ARMBARDUOV supports
- A Phillips screwdriver

Requirements are subject to change. For the latest requirements, please visit www.StarTech.com/ARMBARDUOV.

Assembly

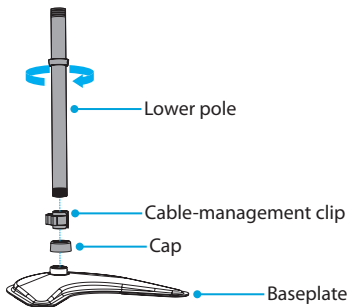
Warning! Make sure that the weight of the monitors does not exceed the weight capacity of this product. If you exceed the weight capacity, you might experience personal injury or damage to the product.

This product can support the following weight: Up to 22 lb. (10 kg).

Assemble the lower pole

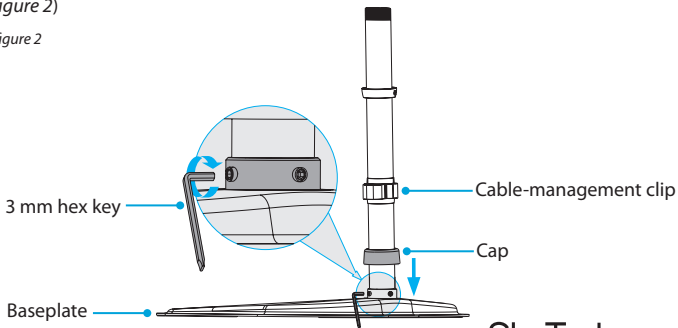
1. Thread the **cable-management clip** onto the **pole**.
2. Thread the **cap** onto the **pole**.
3. Screw the **pole** into the **baseplate**. (*figure 1*)

figure 1



4. Use the **3 mm hex key** to tighten the screws and attach the **pole** to the **baseplate**.
5. Push the **cap** down so that it sits flush against the **baseplate** and covers the screws. (*figure 2*)

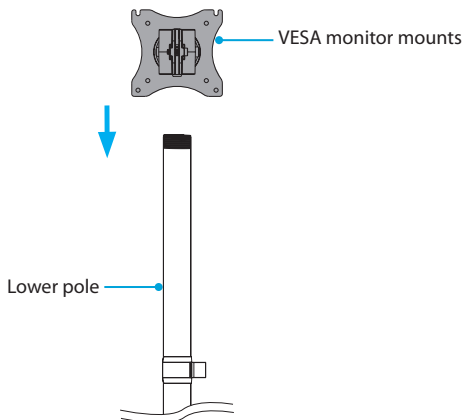
figure 2



Attach a VESA monitor mount

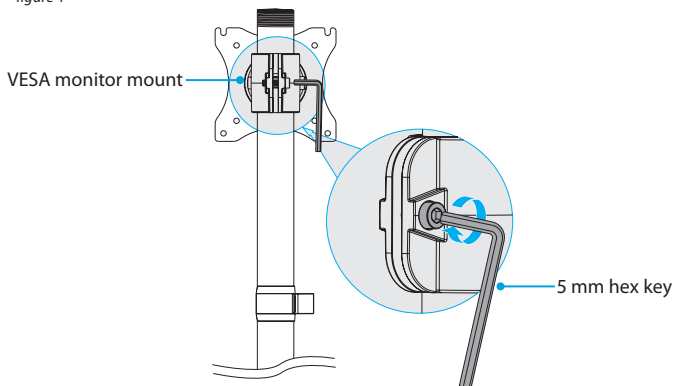
1. Slide one of the **VESA monitor mounts** down the **lower pole**. (*figure 3*)

figure 3



2. When the **VESA monitor mount** is at the desired height, use the **5 mm hex key** to tighten the screw at the back of the **VESA monitor mount**. (*figure 4*)

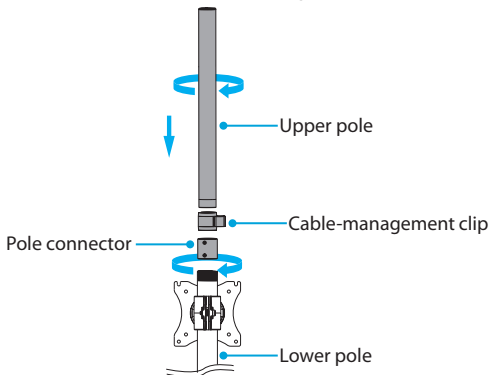
figure 4



Attach the upper pole

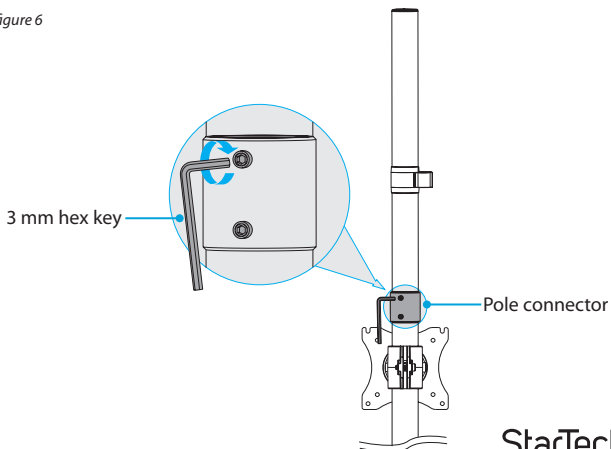
1. Screw the **pole connector** onto the **lower pole**.
2. Attach the other **cable-management clip** to the **upper pole**.
3. Screw the **upper pole** into the **pole connector**. (figure 5)

figure 5



4. Use the **3 mm hex key** to tighten the two screws in the side of the **pole connector**. (figure 6)

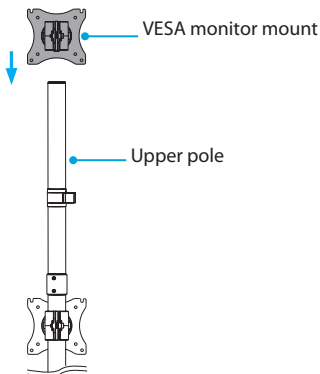
figure 6



Attach the second VESA monitor mount

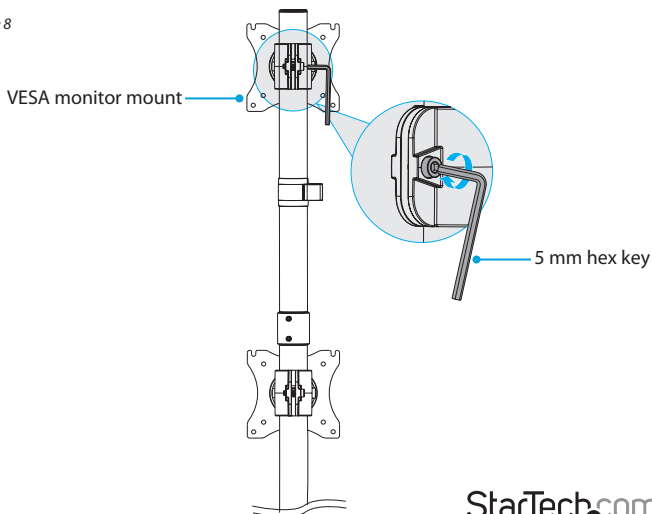
1. Slide the other **VESA monitor mount** down the **upper pole**. (*figure 7*)

figure 7



2. When the **VESA monitor mount** is at the desired height, use the **5 mm hex key** to tighten the screw at the back of the **VESA monitor mount**. (*figure 8*)

figure 8



Attach monitors to the VESA monitor mounts

Warning! Attaching a monitor is a two-person job. **Do not** attempt to complete this task by yourself.

Tipping hazard! The ARMBARDUOV is free-standing and when you attach monitors to it, you increase the tipping hazard. A second person is required to keep the ARMBARDUOV upright as you attach the monitors.

ARMBARDUOV is designed to be used with monitors that are the same size and weight. If you attach monitors that are different sizes and weights to the ARMBARDUOV, you do so at your own risk

Use the 100x100 VESA mounting hole pattern to attach a monitor

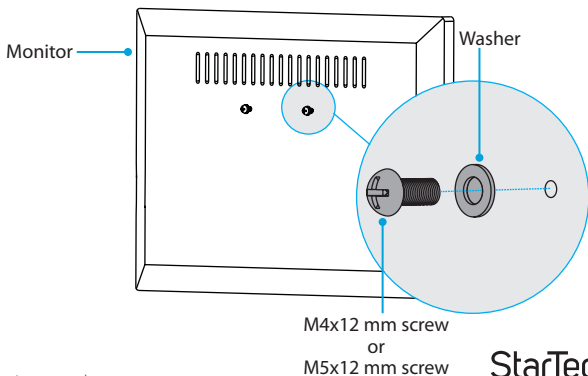
To accommodate different monitor sizes, the ARMBARDUOV comes with two sets of screws that are different lengths and diameters.

To select the appropriate screws for the type of monitor that you're using, complete the following:

- Determine the depth of the mounting holes on the monitor.
 - Determine the diameter of the mounting holes on the monitor.
1. Place two of the **washers** over the top two mounting holes on the back of the monitor.
 2. Insert two of the **M4x12 mm screws** or **M5x12 mm screws** through the **washers** and into the back of the monitor. (*figure 9*)

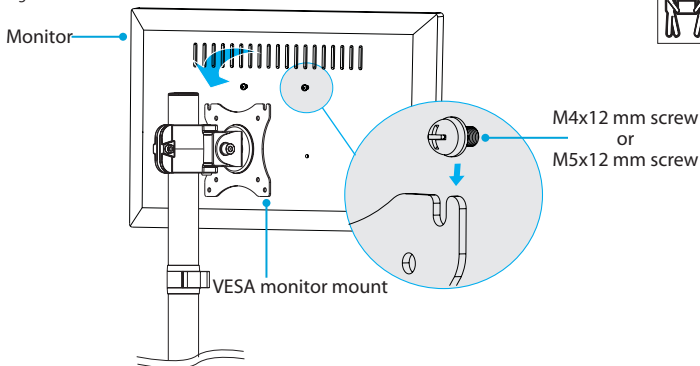
Caution! At this point in the assembly, do not tighten the screws so that they are flush against the monitor. To attach the monitor to the **VESA monitor mount**, you need to leave a small gap between the screws and the monitor.

figure 9



3. Carefully hook the screws into the top two slots on the **VESA monitor mount** on the **upper pole**. (figure 10)

figure 10

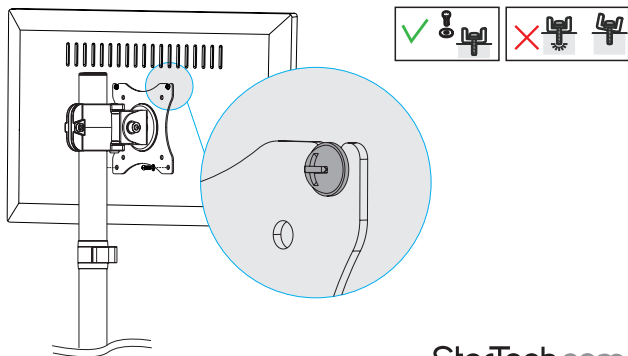


4. Use a Phillips screwdriver to tighten the screws. (figure 11)

Caution! If the **VESA monitor mount** starts to slip down the **upper pole** when you add the weight of the monitor, remove the monitor and use the **5 mm hex key** to tighten the screw in the side of the **VESA monitor mount**. When the screw is tightened, repeat step 3 to reattach the monitor.

Warning! Do not over-tighten the screws. If you encounter resistance while you're tightening the screws, stop tightening. Failure to do so could result in damage to the monitor.

figure 11

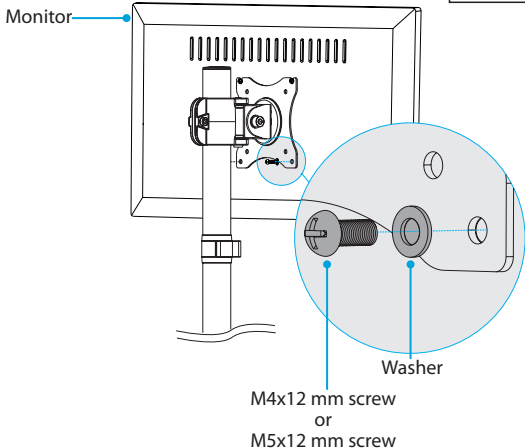


- Place two **washers** over the mounting holes in the **VESA monitor mount**.
- Insert two **M4x12 mm screws** or **M5x12 mm screws** through the **washers**, the mounting holes in the **VESA monitor mount**, and into the back of the **monitor**. (figure 12)

Warning! Do not over-tighten the screws. If you encounter resistance while you're tightening the screws, stop tightening. Failure to do so could result in damage to the monitor.

- Repeat steps 1 to 6 to attach a monitor to the **VESA monitor mount** attached to the **lower pole**.

figure 12



Use the 75x75 VESA mounting hole pattern to attach a monitor

To accommodate different monitor sizes, the ARMBARDUOV comes with two sets of screws that are different lengths and diameters.

To select the appropriate screws for the type of monitor that you're using, complete the following:

- Determine the depth of the mounting holes on the monitor.
 - Determine the diameter of the mounting holes on the monitor.
1. Line up the mounting holes on the back of the monitor with the 75x75 mounting holes in the **VESA monitor mount** on the **upper pole**.
 2. While someone holds the monitor in place, insert the **M4x12 mm screws** or **M5x12 mm screws** through the **washers**, the mounting holes in the **VESA monitor mount**, and into the back of the monitor. (figure 13)
 3. Use a Phillips screwdriver to tighten the screws.

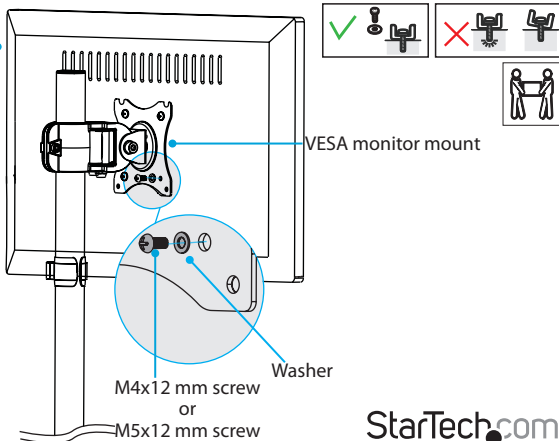
Caution! If the **VESA monitor mount** starts to slip down the **upper pole** when you add the weight of the monitor, remove the monitor and use the **5 mm hex key** to tighten the screw in the side of the **VESA monitor mount**. When the screw is tightened, repeat step 2 to reattach the monitor.

Warning! Do not over-tighten the screws. If you encounter resistance while you're tightening the screws, stop tightening. Failure to do so could result in damage to the monitor.

4. Repeat steps 1 to 3 to attach a monitor to the **VESA monitor mount** attached to the **lower pole**.

figure 13

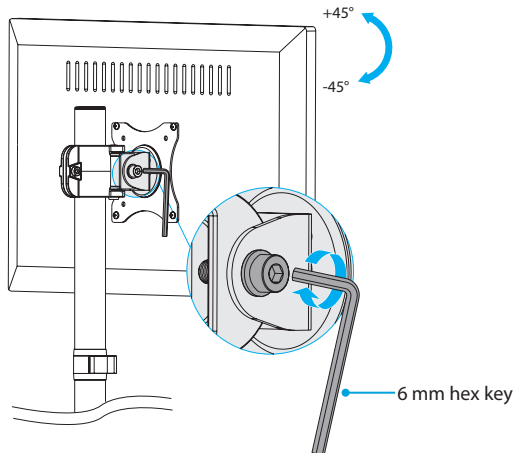
Monitor



Adjust the tilt angle of your monitor

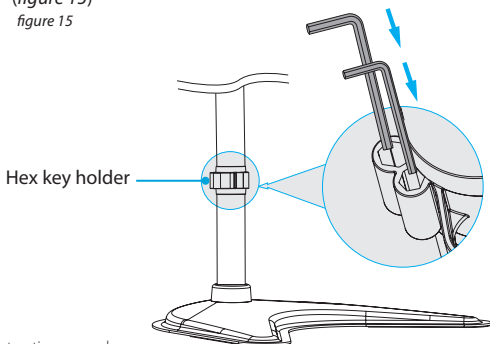
1. To change the angle that a monitor is tilted at, use the **6 mm hex key** to turn the screw in the side of the **VESA monitor mount** counterclockwise.
2. When the screw is loose, position the monitor at the angle that works best for you.
3. Use the **6 mm hex key** to turn the screw clockwise to tighten it. (figure 14)

figure 14

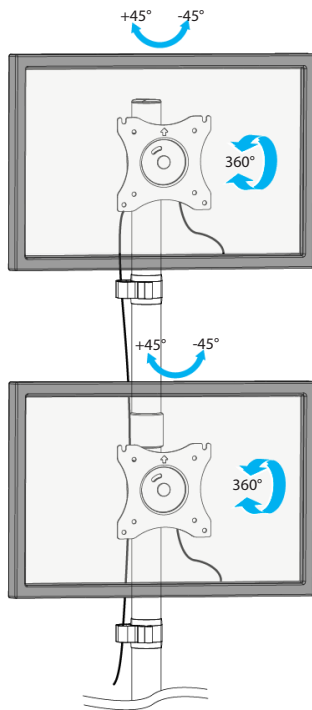


4. When you're done adjusting the tilt angle, you can store the **5mm hex key** and the **6 mm hex key** in the **hex key holder** in one of the **cable-management clips**. (figure 15)

figure 15



Adjust the monitors



Technical support

StarTech.com's lifetime technical support is an integral part of our commitment to provide industry-leading solutions. If you ever need help with your product, visit www.startech.com/support and access our comprehensive selection of online tools, documentation, and downloads.

For the latest drivers/software, please visit www.startech.com/downloads

Warranty information

This product is backed by a five-year warranty.

StarTech.com warrants its products against defects in materials and workmanship for the periods noted, following the initial date of purchase. During this period, the products may be returned for repair, or replacement with equivalent products at our discretion. The warranty covers parts and labor costs only. StarTech.com does not warrant its products from defects or damages arising from misuse, abuse, alteration, or normal wear and tear.

Limitation of liability

In no event shall the liability of StarTech.com Ltd. and StarTech.com USA LLP (or their officers, directors, employees or agents) for any damages (whether direct or indirect, special, punitive, incidental, consequential, or otherwise), loss of profits, loss of business, or any pecuniary loss, arising out of or related to the use of the product exceed the actual price paid for the product. Some states do not allow the exclusion or limitation of incidental or consequential damages. If such laws apply, the limitations or exclusions contained in this statement may not apply to you.

Hard-to-find made easy. At StarTech.com, that isn't a slogan. It's a promise.

StarTech.com is your one-stop source for every connectivity part you need. From the latest technology to legacy products — and all the parts that bridge the old and new — we can help you find the parts that connect your solutions.

We make it easy to locate the parts, and we quickly deliver them wherever they need to go. Just talk to one of our tech advisors or visit our website. You'll be connected to the products you need in no time.

Visit www.startech.com for complete information on all StarTech.com products and to access exclusive resources and time-saving tools.

StarTech.com is an ISO 9001 Registered manufacturer of connectivity and technology parts. StarTech.com was founded in 1985 and has operations in the United States, Canada, the United Kingdom and Taiwan servicing a worldwide market.