

MEDION®

Instruction Manual

60.4 cm / 23.8" All in one PC

Table of Content

1.	Information about these operating instructions	4
1.1.	Explanation of Symbols	4
1.2.	Proper Use.....	6
2.	Declaration of Conformity	6
2.1.	Information on WLAN.....	7
3.	Information on trademarks	8
4.	Safety Instructions	8
4.1.	Dangers for children and people with reduced ability to operate electronics.....	8
4.2.	Operational Safety	9
4.3.	Never carry out repairs yourself.....	10
4.4.	Setup Location	11
4.5.	Environmental Requirements.....	11
4.6.	Power Supply	12
4.7.	Cabling.....	13
4.8.	Protecting the Display	14
4.9.	Data backup.....	14
4.10.	Ergonomics.....	15
5.	Unpacking	16
6.	Included with your all in one PC	17
7.	Mounting the Base	18
8.	Views and Description of the Controls	19
8.1.	Back View	19
8.2.	Front View	20
9.	Power Supply	20
9.1.	On/Off Switch	20
10.	Preparation for Starting-Up	20
10.1.	Starting the all in one PC.....	21
11.	AC Power	22
12.	Changing the System Language	22
13.	Power Management (Power Options)	23
13.1.	Energy Saving Tips.....	23
14.	Sound System	24
14.1.	External Audio Connections	24
15.	Network Operation	25
15.1.	Network Connection.....	25
15.2.	Wi-Fi (Wireless Network).....	25
15.3.	Bluetooth®	25
15.4.	Airplane Mode.....	26

16.	USB Port	26
17.	Securing Your all in one PC	26
	17.1. Password Setting (Power-on).....	26
18.	Resetting the all in one PC to its Factory Settings	27
	18.1. System recovery with PowerRecover (optional)	27
	18.2. System Restore with Windows Recovery Options.....	28
19.	UEFI Configuration	29
	19.1. Executing the UEFI Configuration.....	30
20.	FAQs – Frequently Asked Questions	30
21.	Customer Service	31
	21.1. What To Do in Case of Hardware Problems	31
	21.2. Find the Cause	31
	21.3. Do You Need More Help?	31
	21.4. Driver Support.....	31
	21.5. Transport	32
	21.6. Cleaning and maintenance	32
	21.7. Storage when not in use.....	33
22.	Upgrading/Modifying and Repair	33
	22.1. Notes for Service Technicians	33
23.	Disposal	34
24.	Information on display errors.....	34
	24.1. European EN ISO 9241-307 Class II Standard	34
22.	Service information	36
23.	Legal Notice.....	37
24.	Index	38

1. Information about these operating instructions



Thank you for choosing our product. We hope you enjoy using it. Read the safety instructions and all other instructions carefully before using the device for the first time. Note the warnings on the device and in the operating instructions.

Always keep the operating instructions close to hand. If you sell the device or give it away, please ensure that you also pass on these operating instructions. They are an essential component of the product.

1.1. Explanation of Symbols

If a block of text is marked with one of the warning symbols listed below, the hazard described in that text must be avoided to prevent the potential consequences described there from occurring.



DANGER!

Warning of immediate risk of fatal injury!



WARNING!

Warning: danger of electric shock!



WARNING!

Warning: possible mortal danger and/or serious irreversible injuries!



WARNING!

Warning: danger due to excessive volume!



CAUTION!

Warning: possible light or moderate injuries!



NOTICE!

Please follow the guidelines to avoid property damage.



Additional information on using the device.



Please follow the guidelines in the operating instructions.

- Bullet point/information on operating steps and results
- ▶ Tasks to be performed



Declaration of conformity (see section 'Declaration of conformity'): Products that feature this symbol meet the requirements of the EC directives.



Due to the 5 GHz frequency range of the used wireless LAN solution, use in EU countries is only permitted inside buildings.



Indoor use

Devices with this symbol are only suitable for use indoors.



Fig. A

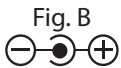


Fig. B

Polarity symbols

On devices with barrel connectors, these symbols indicate the polarity of the plug. There are two variants for the polarity: either the inner contact is positive and the outer contact is negative (Fig. A) or the inner contact is negative and the outer contact is positive (Fig. B).

1.2. Proper Use

This device is designed for the use, management and editing of electronic documents and multimedia content, as well as for digital communication. The device is intended for private use only and not for industrial/commercial use.

Please note that we shall not be liable in cases of improper use:

- Do not modify the device without our consent and use only spare parts and accessories which we have supplied or approved.
- Follow all instructions in this manual, especially the safety information. Any other use is deemed improper and can cause personal injury or damage to the product.
- Do not use the device in extreme environmental conditions.

2. Declaration of Conformity

MEDION AG hereby declares that this product conforms with the essential requirements and the remaining relevant regulations:

- RE Directive 2014/53/EU
- Ecodesign Directive 2009/125/EC
- RoHS Directive 2011/65/EU

Full declarations of conformity are available at www.medion.com/conformity.

Should your device work with a network connection in the 5 GHz frequency range of the inbuilt wireless LAN solution, use in EU countries (see table) is only permitted inside buildings.

Make sure you always comply with the law in the country of use.





AT	BE	BG	CZ	DK
EE	FR	DE	IS	IE
IT	EL	ES	CY	LV
LI	LT	LU	HU	MT
NL	NO	PL	PT	RO
SI	SK	TR	FI	SE
CH	UK	HR		

AT = Austria, BE = Belgium, CZ = Czech Republic, DK = Denmark, EE = Estonia, FR = France, DE = Germany, IS = Iceland, IE = Ireland, IT = Italy, EL = Greece, ES = Spain, CY = Cyprus, LV = Latvia, LT = Lithuania, LU = Luxembourg, HU = Hungary, MT = Malta, NL = Netherlands, NO = Norway, PL = Poland, PT = Portugal, RO = Romania, SI = Slovenia, SK = Slovakia, TR = Turkey, FI = Finland, SE = Sweden, CH = Switzerland, UK = United Kingdom, HR = Croatia

2.1. Information on WLAN

Frequency range: 2.4 GHz/5 GHz
Wi-Fi standard: 802.11 a/b/g/n/ac
Encryption: WEP/WPA/WPA2

Frequency range/MHz	Channel	Max. transmission power/ dBm
WLAN 2,4 Ghz 2400 - 2483,5	1 - 13	< 20
WLAN 5 Ghz 5150 - 5250	36 - 48	< 23
WLAN 5 Ghz 5250 - 5350	52 - 64	< 23
WLAN 5 Ghz 5470 - 5725	100 - 140	< 30
WLAN 5 Ghz 5735 - 5835	149 - 165	-- (if available < 14)

3. Information on trademarks

Windows® is a registered trademark of Microsoft®. Intel, the Intel Logo, Intel Inside, Intel Core, device, and Core Inside are trademarks of Intel Corporation in the U.S. and/or other countries.

The HDMI logo and High-Definition Multimedia Interface are registered trademarks of HDMI Licensing LLC.

The Bluetooth® word mark and logos are registered trademarks of Bluetooth SIG, Inc. and are used by Lenovo/MEDION under licence.

Dolby™ is a registered trademark of Dolby Laboratories.

Other trademarks and brand names are the property of the respective owner.

4. Safety Instructions

4.1. Dangers for children and people with reduced ability to operate electronics

This device may be used by children over the age of 8 and by persons with limited physical, sensory or mental abilities or by those without experience and knowledge, if they are supervised or have been instructed in the safe use of the device and understand the ensuing dangers.

- Children should be supervised to ensure that they do not play with the device.
- Cleaning and user maintenance must not be carried out by children unless they are supervised.
- Keep the device and accessories out of reach of children.



DANGER!

Risk of suffocation!

Packaging material is not a toy!

Packaging film can be swallowed or used improperly.

Therefore, there is a risk of suffocation!

- ▶ Keep packaging material such as plastic film or plastic bags away from children.



WARNING!

Impairment to hearing!

Listening through earphones or headphones at excessive volume levels, as well as changes to the basic settings of the equaliser, drivers, software or operating system generates excessive acoustic pressure and can lead to damage or loss of hearing.

- ▶ Before pressing play, set the volume to the lowest setting.
- ▶ Start playback and increase the volume to a comfortable level.

4.2. Operational Safety

Please read this section carefully and follow all instructions given. The instructions will help you to operate the all in one PC reliably and increase its service life.

Liquids penetrating the device may impair the electrical safety of the product.

- ▶ Avoid exposing the device to water droplets or spray and do not place anything containing water, e.g. vases, on or near the device.
- ▶ Do not pour any fluids into the device.
- ▶ In order to avoid any damage to the device, ensure that the plug contacts do not come into contact with water under any circumstances. If this should occur, it is imperative that the plug contacts are dried thoroughly before the device is used again.



DANGER!

Danger of electric shock!

There is a risk of electric shock or fire if the mains adapter is open!

- ▶ Never open the housing of the device or the mains adapter!
- ▶ Never operate the device if the housing is open.
- ▶ Never tamper with the mains adapter or live parts!

The slots and openings on the device are for ventilation purposes.

- ▶ Do not cover these openings, as this could cause the device to overheat or even catch fire.
- ▶ Do not insert anything into the device through the slots and openings. This could result in an electric shock or even ignite a fire which will damage your device.

Should the below occur, switch the device off immediately/ do not switch the device on, disconnect the mains plug and contact customer services if:

- unusual noises can be heard coming from the mains adapter or the all in one PC, or you notice smoke rising from the all in one PC or mains adapter.
- the AC adapter or the attached power cable or plug is burnt or damaged.
- ▶ Replace faulty mains cables/mains adaptors only with original parts. These parts should not be repaired under any circumstances.
- the device housing is damaged or liquid has penetrated into the device.
- ▶ Have the device inspected by customer services. Otherwise, it may not be possible to operate the device safely. There may be a risk of electric shock!

4.3. Never carry out repairs yourself



CAUTION!

Risk of electric shock!

There is a risk of electric shock if repairs are not carried out by qualified personnel!

- ▶ Never open the housing of the all in one PC or the mains adapter!
- ▶ In the event of a fault, please contact the Service Centre or an approved repair specialist.

4.4. Setup Location

- The all in one PC may only be used indoors (due to the use of 5 GHz Wi-Fi technology).
- Do not use the device in areas where there is a risk of explosion such as tank farms, fuel storage depots or areas in which solvents are processed. It is also not permitted to use this device in those areas where the air is polluted with fine particles (e.g. flour dust or sawdust).
- Keep your All in one PC and all connected devices away from moisture and avoid dust, heat and direct sunlight. Non-compliance with these instructions can lead to faults or damage to the all in one PC.
- Do not use the all in one PC outdoors because external elements, such as rain, snow, etc., could damage it.
- Set up and operate all components on a stable, level and vibration-free surface to prevent the all in one PC from falling down.
- Maintain a distance of at least one metre from sources of high-frequency and magnetic interference (TV sets, speakers, mobile phones, DECT telephones, etc.) in order to avoid malfunctions and data loss.
- Do not operate the all in one PC or power adaptor for long periods on your lap or any other body part as the heat dissipation on the underside can result in uncomfortable overheating.
- This device is not suitable for use with VDU workstations.

4.5. Environmental Requirements

- The all in one PC is most reliably operated at an ambient temperature between 5 °C (+41 °F) and 30 °C (+86 °F) and at a relative humidity between 20% and 80% (without condensation).
- When switched off, the all in one PC can be stored at temperatures between 0 °C and 60 °C.

-
- During a thunderstorm, unplug the AC adapter from the wall outlet. For extra safety, we recommend using an overvoltage protection device to prevent the all in one PC from sustaining damage as a result of power surges or lightning strikes.



NOTICE!
Risk of damage!

Large changes in temperature or fluctuations in humidity can cause moisture build up within the all in one PC due to condensation. This can cause an electrical short circuit.

- ▶ After transporting the all in one PC, wait until the device has reached room temperature before switching it on.

4.6. Power Supply



CAUTION!
Risk of electrical shock!

There are live components inside this AC adapter. In the event of an unintentional short circuit of this AC adapter, there is a risk of electrical shock or fire!

- ▶ Do not open the housing of the AC adapter.
 - ▶ Do not cover the mains adapter.
 - ▶ Never touch the mains adapter with wet hands.
- The socket outlet must always be close to the all in one PC and easily accessible.
 - Always hold the mains adapter by the housing if you wish to unplug it.
 - To disconnect the power supply from your All in one PC (via the AC adapter), pull the plug from the power outlet.
 - Plug the all in one PC's AC adapter into AC 100 – 240 V~ 50/60 Hz earthed sockets only. If you are not sure about the power supply at the set-up location, please ask your electricity supplier.
 - For extra safety, we recommend using an overvoltage

protection device (surge protector) to prevent your All in one PC from sustaining damage as a result of power surges or lightning strikes.

- The only devices which may be connected to the device are those that meet the requirements set out in the EN60950 standard “Information Technology Equipment – Safety” or devices that meet the EN60065 standard “Audio, video and similar electronic apparatus – Safety requirements”.



NOTICE!

Risk of damage!

Unsuitable mains adapters may cause damage to the product.

- ▶ Only use the mains adapter supplied in order to charge the device.

4.7. Cabling

- Position the cables so that they cannot be stepped on or might cause a risk for tripping.
- To avoid damaging the cables, do not place any objects on them.
- Do not connect peripheral devices – such as keyboards, mouse and monitor, etc. – when the all in one PC is switched on to avoid damage to the all in one PC or the devices. Some devices may also be connected while the computer is running. This is generally the case for devices with a USB connection. In all cases, observe the relevant operating instructions.
- Maintain a distance of at least one metre from sources of high-frequency and magnetic interference (TV sets, speakers, mobile phones, DECT telephones, etc.) in order to avoid malfunctions and data loss.
- Please note that only shielded cables that are shorter than 3 metres may be connected to the external interfaces of this All in one PC.
- Do not exchange the supplied cable for another one. Use only

the supplied cable as this cable has been extensively tested in our laboratory.

- In addition, when connecting your peripherals only use the connecting cables supplied with those devices.
- Ensure that all connection cables are connected to their corresponding peripheral device to avoid any interference radiation.
- Remove any unnecessary cables from your All in one PC to avoid possible interference.

4.8. Protecting the Display

The display is the most sensitive component part of the device as it consists of thin glass.

The display can break if subjected to too much stress.

- Do not allow any objects to drop onto the display.
- Do not place any objects on the display.
- Do not scratch the display with your fingernails or hard objects.
- If the screen breaks, there is a danger of injury. If this happens, pick up the shattered pieces wearing protective gloves and send them to your service centre for professional disposal. Finally, wash your hands with soap, as the pieces may have been contaminated with chemicals.
- Avoid contact between the display and hard objects (e.g. buttons, wristwatch).

4.9. Data backup



Back up your data to external storage media before each update. We do not accept any liability for claims for compensation arising from loss of data or any consequential loss or damage.

4.10. Ergonomics



Avoid dazzle, reflections and a light-dark contrast that is too strong in order to protect your eyes.

The all in one PC should never be placed next to a window because this is the brightest part of the room in daylight. This brightness can make it more difficult for the eyes to adjust to the darker display. The all in one PC should always be positioned so that the direction of vision is parallel to the window front.

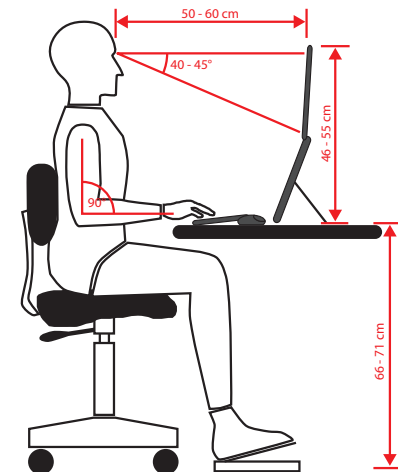
Setting up the all in one PC with your back to the window is incorrect as reflections from the bright window on the screen will then be unavoidable. A position looking onto the window is also incorrect as the contrast between the dark screen and the bright daylight can cause problems for the eyes to adjust and result in problems. The parallel line of vision should also be maintained in relation to artificial lighting equipment.

In other words, the same criteria and principles apply where the workspace is illuminated with artificial light. Where space restrictions make it impossible to set up the screen as described, then correct positioning (rotating, tilting) of the all in one PC/screen can prevent dazzling, reflections and excessive bright-dark contrast, etc. In many cases, an improvement can also be achieved by using slats or vertical blinds on the windows, partition walls or by changing the artificial lighting equipment.



Take regular breaks when working at your All in one PC to prevent tenseness and fatigue.

Sitting for a long time without changing position can be uncomfortable. Correct posture is very important for minimising the risks of physical problems or damage.



-
- **In general** – change your position frequently (around every 20-30 minutes) and take regular breaks to avoid tiredness.
 - **Back** – when sitting at your workstation, your back must be supported by your chair's backrest, which must be upright or angled slightly back.
 - **Arms** – your arms and elbows should be relaxed and loose. Your elbows should be close to your body. Hold your forearms and hands roughly parallel to the floor.
 - **Wrists** – when working with the keyboard, mouse or trackball, your wrists should be stretched out and not bent at an angle of more than 10°, where possible. Make sure that your wrists are not resting on the table edge itself.
 - **Legs** – your thighs should be horizontal or angled slightly down. Your lower legs should form an angle with your thighs of approximately 90°. Your feet should be resting flat on the floor. Use a foot rest if you need one, but first make sure that your seat height has been adjusted correctly.
 - **Head** – your head should be upright or bent very slightly forward. Do not work with your head or upper body twisted.
As you work, the top edge of the monitor should be at eye level or very slightly lower.
The distance between the monitor and the person viewing it depends on individual requirements. Distances between 50 and 70cm are commonly used.

5. Unpacking

- Choose a suitable place to set up the device before unpacking it.
- Remove all the packaging material.
- Please keep the packaging material in a safe place and only use this to transport the all in one PC.



Risk of suffocation!

Packaging material is not a toy!

There is a risk of suffocation if plastic packaging is swallowed or used inappropriately!

- ▶ Keep packaging material, e.g. plastic film or bags, away from children.

6. Included with your all in one PC

- ▶ Check your purchase to ensure all items are included and contact us within 14 days of purchase if anything is missing.
- ▶ If there is any damage, please also contact our Service Department.

Please check that the contents are complete and notify us within 7 days of purchase if any of the following components are missing:

- all in one PC
- Base with screw
- AC adapter
- Webcam with USB cable (magnetic)
- USB keyboard (optional)
- USB mouse (optional)
- Instruction Manual
- Warranty documents

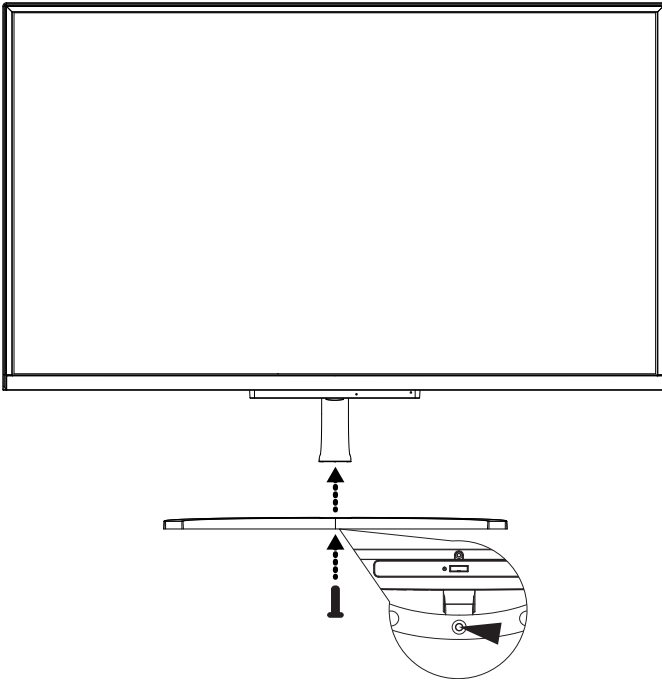
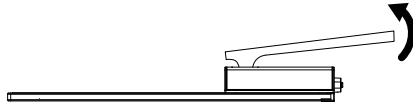


The surfaces of the device are covered in protective film to prevent scratching during production and transport. Remove the film once the device has been set up properly and before you use it.

7. Mounting the Base

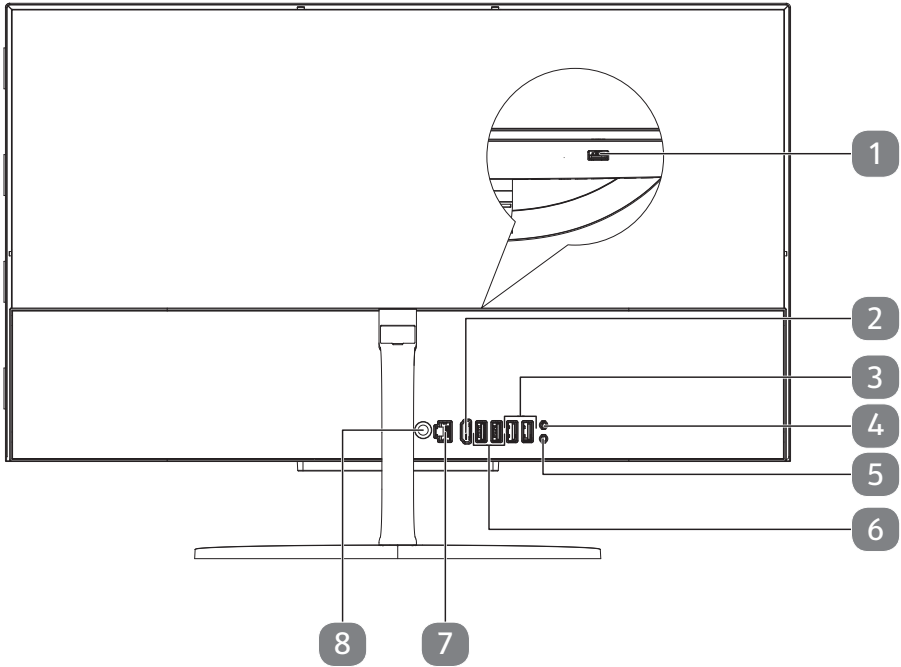
Before using the all in one PC, mount the base as follows:

- 1) Place the all in one PC on a soft surface with the monitor face down.
- 2) Fold up the stand a little as shown.
- 3) Screw the base onto the stand with the screw and tighten the screw hand-tight.



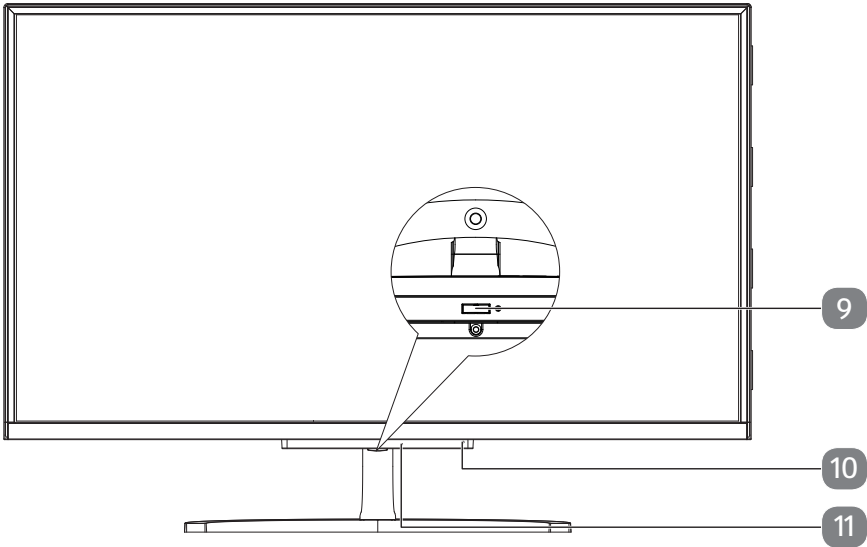
8. Views and Description of the Controls

8.1. Back View



- 1 USB Port 2.0
- 2 HDMI Connector
- 3 USB Ports 3.0
- 4 Microphone
- 5 Loudspeaker
- 6 USB Ports 2.0
- 7 LAN Port (RJ-45)
- 8 DC In

8.2. Front View



- 9 Power ON/OFF
- 10 Microphone
- 11 Operating Indicator
This indicator lights up when the power is on.

9. Power Supply

9.1. On/Off Switch

- ▶ Open the all in one PC and hold the on/off switch down briefly to switch the all in one PC on or off.



If it is no longer possible to switch off the all in one PC via the software, keep the On/Off switch pressed down for about 10 seconds.

10. Preparation for Starting-Up

To operate your All in one PC safely and ensure a long service life, you have to read the “Operational Safety” chapter at the beginning of this manual. All operating software is already fully preinstalled on the all in one PC so there is no need for you to install any more drivers and you can get started right away.

- ▶ Connect the AC adapter supplied to the all in one PC and insert the plug in an easily accessible power outlet.



When first operating your All in one PC please ensure that the AC adapter is connected.

- ▶ Switch the all in one PC on by pressing the on/off switch. The all in one PC will now start and run through various installation steps.

The operating system cannot be used unless you agree to the terms and conditions of use during the installation process. Have the information ready for access to Wi-Fi or your email inbox in case you wish to set this up now.

The operating system will be loaded from the the flash memory. The loading process takes a little longer during the initial setup. Once all the necessary data has been entered, the operating system will be set up. The operating system is fully loaded once the Windows® start-up screen appears.



NOTICE!

Loss of data!

The initial installation may take a few minutes. Do not unplug the all in one PC from the power source or switch it off during the initial installation. This may adversely affect the installation.

- ▶ Do not switch off the all in one PC until after the installation has been completed successfully and the startup screen appears.

10.1. Starting the all in one PC

- ▶ Open up the display as described above and press the on/off switch.
- ▶ Follow the instructions on the screen. Step by step instructions will guide you through the process to be followed.

The welcome procedure takes you through several screens and dialogues.

- ▶ Select your desired language and then the corresponding country settings.
- ▶ Connect to the Internet if you have a properly-equipped Internet connection.

If you choose to skip this point, you can connect to the Internet later via the Windows® interface.

If you have already set up an Internet connection, you can now log in to your All in one PC using a Microsoft account.

The Microsoft Store allows you to purchase new apps or update previously installed apps. If you log in on a local account, you can set up a Microsoft account later at any time.

Licence Agreement

Please read through the licence agreement carefully. It provides important legal information about the use of your software product. To view the text in full, you must slide the scroll bar downwards using the mouse until you reach the end of the document. You accept the licence agreement by checking **Accept**. Only this entitles you to use the product in accordance with the terms and conditions.

The following animated windows simply contain information about using the new Windows® operating system. No entries of any kind may be made during the animation. The Windows® interface appears after the login process.



In the first few days following the initial installation, Windows® may update and configure data (e.g. with new updates) which can result in delays in the all in one PC shutting down and starting up. For this reason, do not switch the all in one PC off prematurely. This may adversely affect the installation.

11. AC Power

Your All in one PC comes with a universal AC power supply for alternating current which automatically adapts to the available power source. The following values are supported: AC 100 – 240 V~ 50/60 Hz. Observe the safety information concerning the power supply.

The adapter supplies the all in one PC with power. The AC adapter also consumes power when the all in one PC is not connected to it. You should therefore always remove the AC adapter plug from the wall outlet when it is not connected to the all in one PC.



Make sure that you only use the supplied mains adapter with this All in one PC.


12. Changing the System Language

In Windows you can change the preinstalled system language.

Proceed as described below, making sure you carry out the steps in the given order:



To change the system language, you require an Internet connection.

- 1) Click the **Windows start button**.
- 2) Select the menu option  **Settings**.
- 3) In the **Settings**, select **Time & language, speech, region, date**.
- 4) Under **Time & language > Region & language**, open **Add a language** and select the language you want to add.
- 5) If necessary, select the desired region.


-
- 6) Click the selected language once more.
 - 7) Now click the **Set default** button to make the selected language the system language.
 - 8) Select the language again, click **Options** and install your language pack by clicking the **Download** button.



If further Download buttons are now available, click them in succession – insofar as the respective function is desired – and wait until the installation has finished.

- 9) After the installation, restart your device for the changes to take effect.

If there are still elements that do not appear in the target language, proceed as described in Steps 10–17.

- 10) Click the **Windows start button**.
- 11) Select the  **Settings** menu option.
- 12) In the **Settings**, select **Time & language, speech, region, date**.
- 13) Under Related settings, select **Additional date, time & regional settings**.
- 14) Select **Language > Add a language**.
- 15) Next to the language that has been newly installed, click **Options** and click **Make this the primary language**.

The system now prompts you to sign out.

- 16) Click **Sign out now**.

The language you have added becomes the Windows display language when you sign in again.

- 17) At this point, wait until Windows has completed the installation.

13. Power Management (Power Options)

Your All in one PC offers automatic and user selectable power-saving and energy functions that can be used to reduce the overall operating costs.



If you need help with the power management of your All in one PC, press the **F1** key (on an optional keyboard) for Windows Help.

13.1. Energy Saving Tips

- Tune the settings in Power Options to optimise the computer's power management.
- Always disconnect the AC power cord or switch off the wall outlet if the computer would be left unused for a certain time to achieve zero energy consumption.

The power management feature allows the computer to initiate a lower-power or “Sleep” mode after a period of user inactivity.

To take advantage of these potential energy savings, the power management feature has been preset to behave in the following ways when the system is operating on AC power:

- Turn off the display after 10 minutes
- Initiate Sleep after 30 minutes

The notebook exits Sleep when the On/Off button is pressed.

14. Sound System

Your All in one PC comes with a high-definition audio system with 2 speakers (Dolby™). Personal settings can be configured via the Dolby menu. This ensures optimum support for all current programs and games.

14.1. External Audio Connections

Your All in one PC has an integrated stereo speaker so you can always reproduce sound without additional devices. Using the external connections provides you with an ideal opportunity to connect your All in one PC to external devices.

You can change the settings by right-clicking on the speaker symbol in the taskbar.



WARNING!

Impairment to hearing!

Listening through earphones or headphones at excessive volume levels, as well as changes to the basic settings of the equaliser, drivers, software or operating system generates excessive acoustic pressure and can lead to damage or loss of hearing.

- ▶ Before pressing play, set the volume to the lowest setting.
- ▶ Start playback and increase the volume to a comfortable level.

15. Network Operation

15.1. Network Connection

Connect one end of a cable with a RJ45 connection (western jack) to your All in one PC's network interface and the other to a different computer or hub/switch. You can find more details about the network in the Windows® help.

15.2. Wi-Fi (Wireless Network)

This function enables you to establish a network connection to a corresponding remote station. Please read about the necessary requirements. The Wi-Fi function is enabled and disabled via the Windows® menu and is activated by default.



Do not operate the Wi-Fi function in locations (e.g.: hospitals, airplanes, etc.) where there is sensitive equipment. Do not switch the device unless you are sure it will cause no interference.

15.2.1. Requirements

A so called Wi-Fi access point may be used as a remote station. A Wi-Fi access point is a radio transmitting device that communicates with your All in one PC and controls access to the connected network.

Wi-Fi access points are frequently found in large offices, airports, train stations, universities or Internet cafés. They provide access to particular services and networks or to the Internet.

Access permissions are generally necessary and often result in usage charges. Access points often have built-in DSL modems. These so called routers establish the connection to the existing DSL Internet connection and the Wi-Fi.

A connection can also be established to another end device with Wi-Fi functionality without an access point. Without a router, however, the network is restricted to those devices directly connected to it.

If encryption is used for the transfer, the same procedure must be used for all devices. Encryption is a procedure to protect the network from unauthorised access.

The transfer speed can vary depending on the distance and the number of users accessing the remote station.

15.3. Bluetooth®

Bluetooth technology is used to wirelessly bridge short distances. Bluetooth devices transfer data via radio so that computers, mobile phones, printers, keyboards, mice and other devices can communicate with one another wirelessly. Bluetooth wireless technology has numerous possible applications. A few of them are listed below:

- Creating a wireless Internet connection using a mobile phone.
- Transferring files between computers or between a computer and another device.
- Printing using a Bluetooth printer.

-
- Using a Bluetooth keyboard and mouse.
 - Connecting to a PAN (Personal Area Network).

The Bluetooth wireless technology data transfer speed can vary depending on the device or environmental factors. Data can be transferred through walls, jacket pockets and briefcases using a Bluetooth device. The transfer between Bluetooth devices occurs at the high frequency of 2.4 Gigahertz (GHz).



Do not operate the Bluetooth function in locations (e.g.: hospitals, aeroplanes, etc.) where there is sensitive equipment. Do not switch the device unless you are sure it will cause no interference.

15.4. Airplane Mode

In flight mode, all wireless connections (e.g. Wi-Fi, Bluetooth®) are disabled. The airplane mode is disabled by default to ensure that all wireless connections are available.

16. USB Port

The universal serial bus is a standard for connecting input devices, scanners and other peripherals. The USB 3.0 ports are fully backwards compatible.



Due to the arrangement of the contacts, the plug will only fit into the socket in one position.

Ensure that the plug and the port fit together precisely in order to avoid any damage to the contacts. Where possible, always connect your USB devices to the same port that they were originally installed on.

Otherwise they will be assigned a new ID and the drivers will need to be reinstalled.

17. Securing Your all in one PC

17.1. Password Setting (Power-on)

You can protect your All in one PC against unauthorised use with a power-on password. On switching on the all in one PC, a password prompt will appear on the screen. The password is set up in the **UEFI configuraton**.



NOTICE! **Risk of damage!**

Please note that changes should only be carried out here by very experienced users, as changes in the UEFI setting may have implications for the stable operation of the all in one PC.

-
- ▶ Keep your password in a safe place. If you forget your password, you have no way of deleting it. If this happens, contact your service centre.

You can also use the Windows® security options to protect your data against unauthorised access.

18. Resetting the all in one PC to its Factory Settings

Depending on the features of your All in one PC, use either Cyberlink PowerRecover or the Windows system recovery options if your system fails to respond as normal and a system recovery becomes necessary.

18.1. System recovery with PowerRecover (optional)

In the event of problems with the installation or other software problems which make it necessary to reinstall the software, Windows® offers three options for reinstalling Windows® on your All in one PC.

First ensure that you have backed up all important data and programs.

18.1.1. Start System Restore

- ▶ Restart the device and press the F11 button during the boot process to start **PowerRecover**.

or

- ▶ Click on the **PowerRecover** app in the Start menu to start the program.

You will be offered the following options:

- **Create driver and tool rescue media**

The drivers and tools will be saved to a storage medium.

- **Create driver and tool rescue media**

Create a support disc

- **Create driver and tool rescue USB disk**

Create a support USB storage medium

- **Update your PC, without damaging your data**

Updates the device with the help of the Windows recovery options.

- **Keep my files**

All apps and settings will be deleted, while personal data will be retained.

- **Remove everything**

All data, apps and settings will be deleted.

- **Restore**

The device will be restarted and reset to the factory settings.

- **Reset to HDD - user data not saved**

All data on the device will be permanently deleted.

The factory settings will be restored.

– **Reset to HDD - user data saved**

The factory settings will be restored and all user data under **C:\USERS** will be backed up.

- ▶ Click on **Next** and follow the on-screen instructions to restore the factory settings.



If your system does not start the PowerRecover program when the **F11** button (on an optional keyboard) is pressed then it uses the Windows Recovery options; in this case, read the information in the chapter “System restore with Windows Recovery Options”.

18.2. System Restore with Windows Recovery Options

If you experience problems with your device, you can refresh or reset it. Windows is reinstalled when you refresh your device. Your personal files and settings are retained.

Windows is also reinstalled when you reset your device. However, your files, settings and apps – except for the apps pre-installed on the device – are deleted.



If your All in one PC does not start properly three times in a row, the Windows recovery menu automatically appears.

18.2.1. How to Refresh your All in one PC

- ▶ Open the start menu.
- ▶ Select the **Settings** app from the list.
- ▶ Tap or click on **Update & Security**.
- ▶ Tap or click on the menu option **Recovery**.
- ▶ Tap or click on **Get started**.
- ▶ A dialogue box will now open, select the recovery option **Keep my files** to refresh your All in one PC.

18.2.2. How to Reset your All in one PC

- ▶ Open the start menu.
- ▶ Select the **Settings** app from the list.
- ▶ Tap or click on **Update & Security**.
- ▶ Tap or click on the menu option **Recovery**.
- ▶ Tap or click on **Get started**.
- ▶ A dialogue box will now open, select the recovery option **Remove everything** to completely reinstall Windows.



NOTICE!

Loss of data!

All the data stored on your All in one PC will be deleted as a result of resetting it.

- ▶ Back up your data before resetting the all in one PC.



Always perform any type of recovery using AC power.

If you have forgotten the Windows password for your device, you can also restore the all in one PC from the login screen after rebooting the device.

To do this, hold down the Shift key while on the login screen and then select **Power** (I) > **Restart** in the bottom right. After rebooting the device, select **Troubleshoot** > **Reset this PC**.

19. UEFI Configuration

The UEFI configuration (basic hardware configuration of your system) provides you with a number of options for the configuration and operation of your All in one PC. For example, you can modify the operating mode for interfaces, security features or power supply management. The all in one PC has already been configured by the manufacturer to ensure optimum operation.



NOTICE!

Loss of data!

The all in one PC has already been configured by the manufacturer to ensure optimum operation.

Modifications may affect the stable and safe operation of the system.

- ▶ Changes must only be carried out by specialists or very experienced users.

19.1. Executing the UEFI Configuration

You can only run the configuration program upon system startup. If the all in one PC has already started up, switch it off and restart it.

- ▶ Press the **F2** key to run the **UEFI configuration**.

20. FAQs – Frequently Asked Questions

How do I activate Windows®?

- Windows® is activated automatically as soon as an Internet connection is established.

The time is incorrect.

- ▶ Click with the right mouse button on the clock in the bottom right corner of your screen and then click on “Adjust date/time”.
- ▶ You can then change the time and also, if necessary, the time zone in the window that opens.

When is restoring factory settings recommended?

- This method should only be selected as a last resort. Read about the alternatives in the **System recovery** section.

How do I perform a data backup?

- Back up your data on external media. If you need help to back up your data, press the **F1** key (on an optional keyboard) for Windows Help.

Why do I need to reinstall my USB device even though I have already done it?

- If the device is not operated on the same USB port as the one it was installed in, it automatically receives a new identifier. The operating system then treats it like a new device and tries to reinstall it.
- Use the installed driver or connect the device to the port on which it was originally installed.

The all in one PC will not switch on.

- ▶ If you are already operating the all in one PC using the AC adapter, disconnect the adapter plug from the outlet and connect an electrical appliance such as a lamp to the same outlet to test it. If the lamp does not work either, seek the advice of an electrician.

The screen is black.

- This fault can have various causes:
 - The operating light (on/off switch) does not light up and the all in one PC is in hibernation.

Solution:

Press the on/off switch.

The WLAN/Bluetooth connections do not work.

- ▶ Check whether airplane mode is disabled.

Apps (e.g. the weather app) cannot be displayed as live tiles.

- ▶ Check the date, time zone and time.

21. Customer Service

21.1. What To Do in Case of Hardware Problems

Malfunctions can sometimes have quite trivial causes, but they may also be the result of defective components. We have included a brief troubleshooting guide below which may help to solve any problems.

If these tips don't do the trick, then we'll be more than pleased to help you out. Just give us a call!

21.2. Find the Cause

Start by carefully checking all the cable connections. If the all in one PC is connected to peripheral devices, check all the cable connections here too.

21.3. Do You Need More Help?

You've checked through the suggestions in the previous section and you're still having problems with your device? Then call our hotline or contact us at www.medion.com. We'll be glad to help you.

Before contacting your technology centre, however, prepare the following information:

- Have you made any upgrades or modifications to the initial configuration?
- What is the model number of your All in one PC? (model number to be found on the rating plate of your product)
- What peripheral devices do you use?
- What messages, if any, appear?
- What software were you using when the problem occurred?
- What steps have you already taken to try and rectify the problem?

21.4. Driver Support

The system has been thoroughly and successfully tested with the installed drivers in our test laboratory. It is normal in the computer sector, however, for the drivers to need updating from time to time. This is because there may be compatibility problems with other components (programs, devices) which have not yet been tested.



For critical or security-related updates, the drivers are loaded and installed automatically when the device is connected to the internet. So-called optional driver updates can be loaded and installed via the Windows Update function.

The current drivers are available on our homepage at <http://www.medion.com>.

Please use the service address for the country where the device was purchased.

21.5. Transport

Please note the following information if you wish to transport the all in one PC:

- ▶ Switch the all in one PC off.
- ▶ After transporting the all in one PC, wait until the appliance has reached room temperature before switching it on. Large changes in temperature or fluctuations in humidity can cause moisture build-up within the all in one PC due to condensation. This can cause an electrical short circuit.
- ▶ Always use the original cardboard packaging to ship your All in one PC and obtain advice on this from your carrier.
- ▶ Find out about the power and communication options available in your destination before travelling.
- ▶ Where necessary, purchase the required power adapter before departure.

21.6. Cleaning and maintenance



WARNING!

Danger of electric shock!

There is a risk of death as a result of electric shock if the housing is open and if parts inside the device are touched!

- ▶ Do not open the housing of the all in one PC. It does not contain any parts requiring maintenance. Always unplug the device and disconnect all cables before cleaning!

You can increase the lifespan of your All in one PC with the following measures:

- ▶ Only use a damp, lint-free cloth to clean the all in one PC.
- ▶ Do not use solvents, corrosive or aerosol-based detergents to clean the device.
- ▶ Use special cleaning products for the display and the touchpad (e.g. glass cleaner).
- ▶ Under no circumstances must liquids penetrate inside the device as this may cause damage.
- ▶ Do not expose the screen to strong sunlight or ultraviolet light.



NOTICE!

Risk of damage!

To avoid damaging the device, never allow the plug contacts to come into contact with water.

- ▶ If this nevertheless happens, it is essential that the plug contacts are rubbed dry before using the device again.

21.7. Storage when not in use

Store the all in one PC in a cool, dry place if you are not going to use it for an extended period of time and make sure that it is protected from dust and extremes of temperature.

- ▶ Remove all media from the USB slots.
- ▶ Remove all cables and connected peripheral devices.

22. Upgrading/Modifying and Repair

Upgrades and modifications to your All in one PC should only be carried out by qualified specialists. If you do not have the necessary qualifications, have the work carried out by a qualified service technician. Please contact your customer service department if you have technical problems with your All in one PC.

If a repair must be carried out, please contact only our authorised service partners.

22.1. Notes for Service Technicians

- ▶ Only service technicians may open up the all in one PC housing or upgrade or modify your All in one PC.
- ▶ Use only original replacement parts.
- ▶ Before opening the housing, disconnect all power and connecting cables. If the all in one PC is not disconnected from the power supply before being opened, there is a risk that components could be damaged.
- ▶ Internal components of the all in one PC may be damaged by electrostatic discharge (ESD). Carry out repairs, as well as system enhancements or modifications, at an ESD workplace. If such a workplace is not available, wear an antistatic cuff or ensure you are touching an earthed, metallic object. We will charge for any repairs to damage caused by incorrect handling.
- ▶ Requirement for the m.2 2280 flash memory:
The E23401 model connection only supports m.2 2280 flash memory with PCIe / NVMe connection.

23. Disposal



PACKAGING

The product has been packaged to protect it from damage in transit. The packaging is made of materials that can be recycled in an environmentally friendly manner.



DEVICE

Old devices may not be disposed of with normal household rubbish. In accordance with Directive 2012/19/EU, the device must be properly disposed of at the end of its service life.

■ This involves separating the materials in the device for the purpose of recycling and minimising the environmental impact.

Take old devices to a collection point for electrical scrap or a recycling centre.

Contact your local waste disposal company or your local authority for more information on this subject.

24. Information on display errors

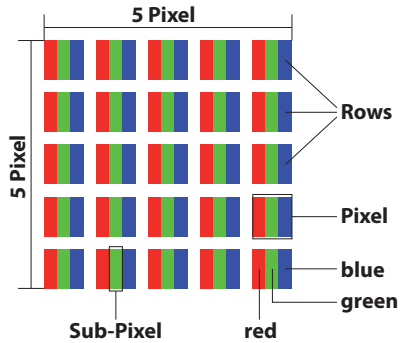
24.1. European EN ISO 9241-307 Class II Standard

Due to the very high number of transistors and the associated extremely complex manufacturing processes used, occasionally one or more pixels can fail or become incorrectly controlled.

In the past, there were a number of approaches for defining the permitted number of pixel defects. However, these approaches were mostly very complicated and varied from one manufacturer to the next. When handling warranty issues for all of its display products, MEDION therefore adheres to the strict and transparent requirements of the standard **EN ISO 9241-307, Class II**; which has been briefly summarised below.

The **EN ISO 9241-307** standard defines, amongst other things, the generally applicable guidelines relating to pixel defects. Pixel defects are categorised into four fault classes and three defect types. Every individual pixel consists of three sub-pixels, each of which is assigned a basic colour (red, green, blue).

Pixel structure



Pixel defect types:

- Type 1: permanently illuminated pixel (bright, white dot) even when not activated. A white pixel occurs due to the illumination of all three sub-pixels.
- Type 2: non-illuminated pixel (dark, black dot) even when activated.
- Type 3: abnormal or faulty red, green or blue sub-pixel (e.g. permanently illuminated at half brightness, one colour not illuminated, flashing or flickering but not type 1 or 2)

Supplement: Type 3 cluster (= failure of two or more sub-pixels within a 5 x 5 pixel block). A cluster is a field of 5 x 5 pixels (15 x 5 sub-pixels).

EN ISO 9241-307, error class II

Resolution	Type 1	Type 2	Type 3	Cluster Type 1, type 2	Cluster Type 3
1024 x 768	2	2	4	0	2
1280 x 800	3	3	6	0	3
1280 x 854	3	3	6	0	3
1280 x 1024	3	3	7	0	3
1366 x 768	3	3	7	0	3
1400 x 1050	3	3	8	0	3
1600 x 900	3	3	8	0	3
1920 x 1080	4	4	9	0	3
1920 x 1200	4	4	9	0	3

25. Service information

Please contact our Customer Service team if your device ever stops working the way you want or expect it to. There are several ways for you to contact us:

- In our Service Community, you can meet other users, as well as our staff, and you can exchange your experiences and pass on your knowledge there. You will find our Service Community at <http://community.medion.com>.
- Alternatively, use our contact form at www.medion.com/contact.
- You can also contact our Service team via our hotline or by post.

Opening times	Hotline number UK
Mon – Fri: 08.00 – 20.00 Sat – Sun: 10.00 – 16.00	☎ 0333 3213106
	Hotline number Ireland
	☎ 1 800 992508
Service address	
MEDION Electronics Ltd. 120 Faraday Park, Faraday Road, Dorcan Swindon SN3 5JF, Wiltshire United Kingdom	



You can download this and many other sets of operating instructions from our service portal at www.medion.com/gb/service/start/.

You will also find drivers and other software for a wide range of devices there.

You can also scan the QR code on the side of the screen, to download the operating instructions onto your mobile device from the service portal.

26. Legal Notice

Copyright © 2018

Date: 16. November 2018, 9:02 am

All rights reserved.

These operating instructions are protected by copyright.

Mechanical, electronic and any other forms of reproduction are prohibited without the written permission of the manufacturer.

Copyright is owned by the distributing company:

MEDION AG
Am Zehnthof 77
45307 Essen
Germany

Please note that you cannot use the address above for returns. Please always contact our Customer Service team first.

27. Index

	B			P	
Bluetooth.....		25		Pixel Defect Types.....	35
	C			Power Management (Power Options)	23
Connecting				Power Supply	20
Cabling.....		13		On/Off Switch.....	20
Power Supply.....		12		Preparation for Starting-Up	20
Customer Service		31		Proper Use.....	6
Driver Support		31			
Find the Cause		31		R	
What To Do in Case of Hardware				Recycling	34
Problems		31		Repair	33
	D				
Data backup		14		S	
Declaration of Conformity		6		Securing Your Notebook.....	26
Display.....		14		Password Setting (Power-on)	26
	E			Setup Location	11
Energy Saving Tips		23		Sound System.....	24
Environmental Requirements.....		11		External Audio Connections	24
Ergonomics.....		14		Starting the Notebook.....	21
Arms.....		16		System restore	27
Back.....		16		PowerRecovery	27
General		16		Restoring the factory settings.....	27
Head		16			
Legs.....		16		T	
Wrists.....		16		Transport	32
	F				
Factory settings				U	
System restore		27		UEFI Configuration.....	29
Factory Settings		27		Upgrading/Modifying.....	33
FAQ – Frequently Asked Questions.....		30		USB Port	26
	I				
Included with your Notebook.....		17			
	L				
Licence Agreement.....		22			
	N				
Network Operation.....		25			
Requirements		25			
Wi-Fi (Wireless Network)		25			
Notes for Service Technicians		33			
	O				
Operational Safety		9			
