

## 2-Port HDMI® Auto Switch - 1080p

VS221HDQ



\*actual product may vary from photos

DE: Bedienungsanleitung - [de.startech.com](http://de.startech.com)

FR: Guide de l'utilisateur - [fr.startech.com](http://fr.startech.com)

ES: Guía del usuario - [es.startech.com](http://es.startech.com)

IT: Guida per l'uso - [it.startech.com](http://it.startech.com)

NL: Gebruiksaanwijzing - [nl.startech.com](http://nl.startech.com)

PT: Guia do usuário - [pt.startech.com](http://pt.startech.com)

For the most up-to-date information, please visit: [www.startech.com](http://www.startech.com)

## FCC Compliance Statement

This equipment has been tested and found to comply with the limits for a Class B digital device, pursuant to part 15 of the FCC Rules. These limits are designed to provide reasonable protection against harmful interference in a residential installation. This equipment generates, uses and can radiate radio frequency energy and, if not installed and used in accordance with the instructions, may cause harmful interference to radio communications. However, there is no guarantee that interference will not occur in a particular installation. If this equipment does cause harmful interference to radio or television reception, which can be determined by turning the equipment off and on, the user is encouraged to try to correct the interference by one or more of the following measures:

- Reorient or relocate the receiving antenna.
- Increase the separation between the equipment and receiver.
- Connect the equipment into an outlet on a circuit different from that to which the receiver is connected.
- Consult the dealer or an experienced radio/TV technician for help.

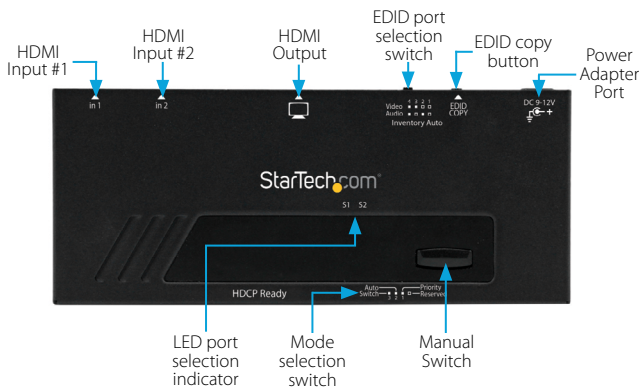
## Use of Trademarks, Registered Trademarks, and other Protected Names and Symbols

This manual may make reference to trademarks, registered trademarks, and other protected names and/or symbols of third-party companies not related in any way to StarTech.com. Where they occur these references are for illustrative purposes only and do not represent an endorsement of a product or service by StarTech.com, or an endorsement of the product(s) to which this manual applies by the third-party company in question. Regardless of any direct acknowledgement elsewhere in the body of this document, StarTech.com hereby acknowledges that all trademarks, registered trademarks, service marks, and other protected names and/or symbols contained in this manual and related documents are the property of their respective holders.

# Table of Contents

<b>Product Diagram .....</b>	<b>1</b>
<b>Introduction .....</b>	<b>2</b>
Packaging Contents .....	2
System Requirements.....	2
<b>Hardware Installation .....</b>	<b>3</b>
Hardware Operation .....	3
<b>Specifications.....</b>	<b>5</b>
<b>Technical Support .....</b>	<b>6</b>
<b>Warranty Information .....</b>	<b>6</b>

# Product Diagram



# Introduction

## Packaging Contents

- 1x HDMI® Auto Switch
- 1x Universal Power Adapter (NA/UK/EU)
- 1x Remote control
- 1x Mounting kit
- 1x Foot pad set
- 1x Instruction Manual

## System Requirements

- 2x Video source devices (i.e. computer, Blu-ray Player)
- HDMI® enabled display device (i.e. television, projector)
- 3x M/M HDMI® cables

# Hardware Installation

1. Connect an HDMI cable (not included) from the HDMI Output port on the switch to an HDMI enabled display device (i.e. television, projector).
2. Connect an HDMI cable (not included) from each input device to the HDMI Input Ports on each video source device (i.e. computer, Blu-ray Player).

**NOTE:** This device features 2 prioritized HDMI input ports. If the active HDMI source is turned off, disconnected, or otherwise lost, the switch will automatically select the next available HDMI signal as the priority output. As a result it is a good idea to prioritize the devices connected based on frequency of use. The device used most often should be connected to HDMI Input Port #2, while the secondary device should be connected to HDMI Input Port #1.

3. Turn on the display device, followed by the video source devices.

## Hardware Operation

### Mode Selection

Change the mode selection switch to select your desired operation mode. Instructions for operating each mode are listed below:

#### Manual Mode

1. Press the Manual switch to switch between input devices from 1 to 2.
2. The Active Port LED Indicator will light as video sources are toggled indicating which port is selected.

#### Priority Mode

Using the Priority switch feature, you can automatically switch between video sources simply by turning off and on the devices connected to the prioritized ports.

For example: If you typically watch TV through your Cable or Satellite set top box, but sometimes watch movies on your Blu-ray player. You can connect your set top box to Port #1, and your Blu-ray player to Port#2. When the Blu-ray player is turned on to watch a movie the HDMI switch will automatically switch to the Blu-ray player. When the movie is over, simply turn off your Blu-ray player and the HDMI switch will automatically switch back to your set top box.

#### Automatic Mode

Using Automatic mode the switch will automatically switch to the most recently activated device. For example if you are watching TV and would like to watch your Blu-ray player, simply turn your Blu-ray player on. To switch back to the TV you can turn the Blu-ray player off, or switch the TV back on after being switched off when the Blu-ray player is active.

## EDID Copy

EDID allows the video source to output the most ideal signal to the video display. The “EDID Copy” function on the HDMI switch ensures that EDID is still active through the switch. This function allows the system to maintain the EDID settings while switching between sources.

### EDID Copy Positions

Position	Description
1	Off
2	EDID audio copy only
3	EDID video copy only
4	EDID video and audio copy

### EDID Copy Setup

1. Set the EDID Copy switch to your desired EDID copy position.
2. Press and hold the “EDID copy” button for 3 to 5 seconds until the LEDs flash.
3. EDID is now copied.

# Specifications

<b>Input Ports</b>	2
<b>Output Ports</b>	1
<b>AV Input</b>	HDMI
<b>AV Output</b>	HDMI
<b>Audio</b>	Yes
<b>Max Distance</b>	10m / 33ft
<b>Max Resolution</b>	1080p
<b>Wide Screen Supported</b>	Yes



# Technical Support

StarTech.com's lifetime technical support is an integral part of our commitment to provide industry-leading solutions. If you ever need help with your product, visit [www.startech.com/support](http://www.startech.com/support) and access our comprehensive selection of online tools, documentation, and downloads.

For the latest drivers/software, please visit [www.startech.com/downloads](http://www.startech.com/downloads)

## Warranty Information

This product is backed by a two year warranty.

In addition, StarTech.com warrants its products against defects in materials and workmanship for the periods noted, following the initial date of purchase. During this period, the products may be returned for repair, or replacement with equivalent products at our discretion. The warranty covers parts and labor costs only. StarTech.com does not warrant its products from defects or damages arising from misuse, abuse, alteration, or normal wear and tear.

### Limitation of Liability

In no event shall the liability of StarTech.com Ltd. and StarTech.com USA LLP (or their officers, directors, employees or agents) for any damages (whether direct or indirect, special, punitive, incidental, consequential, or otherwise), loss of profits, loss of business, or any pecuniary loss, arising out of or related to the use of the product exceed the actual price paid for the product. Some states do not allow the exclusion or limitation of incidental or consequential damages. If such laws apply, the limitations or exclusions contained in this statement may not apply to you.

Hard-to-find made easy. At StarTech.com, that isn't a slogan. It's a promise.

StarTech.com is your one-stop source for every connectivity part you need. From the latest technology to legacy products — and all the parts that bridge the old and new — we can help you find the parts that connect your solutions.

We make it easy to locate the parts, and we quickly deliver them wherever they need to go. Just talk to one of our tech advisors or visit our website. You'll be connected to the products you need in no time.

Visit [www.startech.com](http://www.startech.com) for complete information on all StarTech.com products and to access exclusive resources and time-saving tools.

*StarTech.com is an ISO 9001 Registered manufacturer of connectivity and technology parts. StarTech.com was founded in 1985 and has operations in the United States, Canada, the United Kingdom and Taiwan servicing a worldwide market.*