

WT/GN
WT/BR
BU/WT
YW/WT
WT/RD

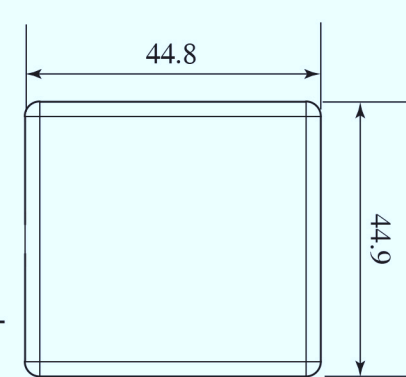


BK . GND
BU
GN
YW
Blank
Blank
Blank
WT
RD

PIN ASSIGNMENT

PCB A	WT GN GND	WT YW GND	WT BU GND	WT BR GND	WT RD GND	BU	YW	WT	GN	BK	RD	GRD
PCB B	WT GN GND	WT YW GND	WT BU GND	WT BR GND	WT RD GND	BU	YW	WT	GN	BK	RD	GRD

OPEN/SHORT TEST: 100% TEST.
INSULATION: 5M.
RoHS Compliant



DVI-I F

④	DVI-I F 24+5P Assembly Black Shell	1PCS
③	Black 45P PVC	20g
②	USB3.1 Type C M (Black Insulator Gold Plated)	1PCS
①	UL20276 (1P#32+D+AM)x5+#32x4C+#28x1C+AE+B(75% ALB)Black OD=5.0mm	1PCS
No.	Description	Qty

Company		Goods Code		Draw		Date	2015.11.5	D		
ITEM NO.	26-0401	Drawing Evidence		Check		Date		C		
Description	USB Type C to DVI F 4K2K			Approval		Date		B	Add connector size	
								VER. A	REVISE	Date