



# Lexmark CX510 Series



CX510de/dhe

## Fabulous colour. Fully loaded.

The Lexmark CX510 colour laser MFP delivers PANTONE® colour matching and fast print, fax, copy and scan speeds - plus comes loaded with productivity solutions to help streamline your business. Want more data capacity? Choose the CX510dhe. Want more paper capacity? Get the CX510dthe.

## Accurate colour that's brand-worthy.

The Lexmark CX510 Series MFP delivers rich, consistent colour printing that can enhance your company's materials and brand. It's faster and more reliable than ever.

**Freedom to print on the fly:** Produce professional colour in-house, on demand. With 1 GB of upgradeable memory and a dual-core processor, you'll print fast, too.



Colour



Up to  
30 ppm



17.8 cm  
touch screen



Solutions



**Professional colour matching:** Lexmark Named Colour Replacement and PANTONE® calibration make it easy to develop a consistent brand image by accurately matching your colours.

**High resolution graphics:** With up to true 1200x1200 dpi resolution, images and graphics stay crisp. Lexmark's Unison™ Toner ensures consistent quality, too.

**Super fast and quiet output:** Quickly print, copy and scan up to 30 pages per minute in black and colour, plus produce a one-page colour document in as little as 11.5 seconds.

## Maximum productivity. Minimum fuss.

Using a multifunction printer is easier than you think. Our system's easy-to-read touch screen saves steps with the press of a button, so you can focus more on business.

**Reliable high performance:** Easily print up to 7,000 pages a month, plus enjoy fewer maintenance hassles, thanks to our state-of-the-art paper handling.

**Run larger jobs without interruption:** With an input capacity of up to 1,450 sheets and and extra high yield toner cartridge options, you won't have to add paper or change cartridges as often.

**Smart touch screen and USB port:** The vibrant 17.8 cm colour touch screen provides access to easy-to-use preinstalled productivity solutions. There is a convenient front USB port, too.

**Innovative toner that optimises performance:** Get greater system performance with Lexmark's Unison™ Toner, which delivers consistent image quality from first print to last.

### Productive workflows. Sustainable design.

Quickly respond to changing business needs with our eco-friendly printers that help streamline your workflow using productivity solutions.

**Work smarter not harder:** If you can use a mobile phone application, you can use our pre-loaded solutions. Touch screen and access shortcuts make it faster and easier to scan, print or send faxes, emails and other business critical documents.

**Enjoy enterprise-level security:** Now you can authenticate, authorise and audit employee usage - plus protect sensitive data using standard network security protocols.

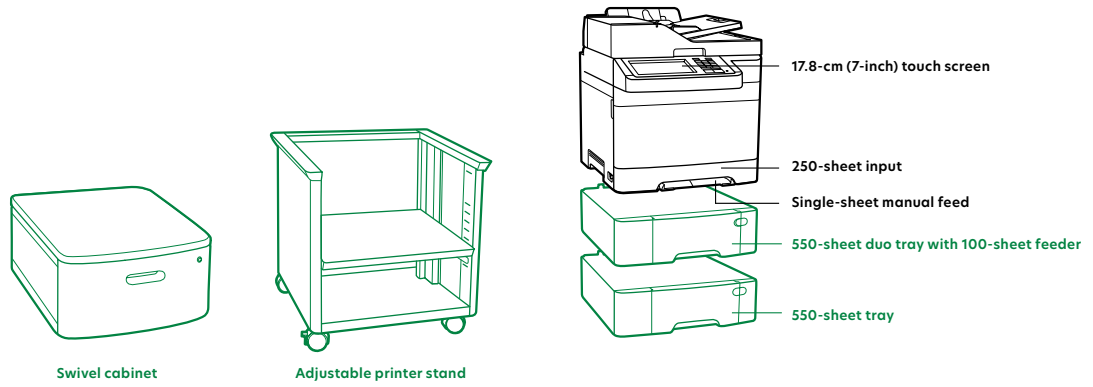
**Save resources and the planet:** An instant warm-up fuser, built-in two-sided printing, plus Quiet, Hibernate and Eco modes minimise noise and save paper and energy.

**Print anytime and anywhere\*:** With this system, you can print from desktops as well as mobile devices that can run applications.



\* For more information on Lexmark Mobile Solutions see: [lexmark.com/mobile](http://lexmark.com/mobile)

**Standard**  
**Optional**  
 The line art features the standard set-up that can be different per model.



Product specifications	Lexmark CX510de	Lexmark CX510dhe	Lexmark CX510dthe
<b>Printing</b>			
Display	Lexmark e-Task 17.8 cm (7-inch) colour touch screen		
Print Speed: Up to <sup>3</sup>	Black: 30 ppm / Colour: 30 ppm		
Time to First Page: As fast as / Time to First Page: as fast as	Black: 10.5 seconds / Colour: 11.5 seconds		
Print Resolution	Black: 1200 x 1200 dpi, 4800 Color Quality (2400 x 600 dpi) / Colour: 1200 x 1200 dpi, 4800 Color Quality (2400 x 600 dpi)		
Memory / Processor	standard: 1024 MB / maximum: 3072 MB / Dual Core, 800 MHz		
Hard Disk	Not Available	Included in configuration	
Recommended Monthly Page Volume <sup>7</sup>	1500 - 7000 Pages		
Maximum Monthly Duty Cycle: Up to <sup>5</sup>	85000 pages per month		
<b>Copying</b>			
Copy Speed: Up to <sup>3</sup>	Black: 30 cpm / Colour: 30 cpm		
Time to First Copy: As fast as / Time to First Copy: as fast as	black: 10.8 seconds / colour: 11.6 seconds		
<b>Scanning</b>			
Scanner Type / ADF Scan	Flatbed scanner with ADF / RADF (reversing Duplex)		
A4/Ltr Duplex Scan Speed: Up to	Mono: 13 / 14 sides per minute / Colour: 13 / 14 sides per minute		
A4/Ltr Simplex Scan Speed: Up to	Mono: 30 / 32 sides per minute / Colour: 30 / 32 sides per minute		
<b>Faxing</b>			
Modem Speed	ITU T.30, V.34 Half-Duplex, 33.6 Kbps		
<b>Supplies<sup>2</sup></b>			
Laser Cartridge Yields (up to) <sup>1</sup>	1,000-page Black and Colour (CMYK) Cartridges, 2,000-page Colour (CMY) Cartridges, 2,500-page Black Cartridge, 3,000-page Colour (CMY) High Yield Cartridges, 4,000-page Black High Yield Cartridge, 4,000-page Colour (CMY) Extra High Yield Cartridges, 8,000-page Black Extra High Yield Cartridge		
Photoconductor Estimated Yield: Up to <sup>4</sup>	40,000 pages, based on 3 average letter/A4-size pages per print job and ~ 5% coverage		
Cartridge(s) Shipping with Product <sup>1</sup>	4,000-page Colour (CMY) Extra High Yield Return Program Toner Cartridges, 8,000-page Black Extra High Yield Return Program Toner Cartridge		
<b>Paper Handling</b>			
Included Paper Handling	250-Sheet Input, 150-Sheet Output Bin, Integrated Duplex, Single-Sheet Manual Feed	250-Sheet Input, 550-Sheet Duo Tray with 100-Sheet Feeder, 150-Sheet Output Bin, Integrated Duplex, Single-Sheet Manual Feed	
Optional Paper Handling	550-Sheet Tray, 550-Sheet Duo Tray with 100-Sheet Feeder		550-Sheet Tray
Paper Input Capacity: Up to	Standard: 250+1 pages 75 gsm bond / Maximum: 1450+1 pages 75 gsm bond		Standard: 900+1 pages 75 gsm bond / Maximum: 1450+1 pages 75 gsm bond
Paper Output Capacity: Up to	Standard: 150 pages 75 gsm bond / Maximum: 150 pages 75 gsm bond		
Media Types Supported	Card Stock, Paper Labels, Plain Paper, Transparencies, Refer to the Card Stock & Label Guide.		Card Stock, Envelopes, Paper Labels, Plain Paper, Transparencies, Refer to the Card Stock & Label Guide.
Media Sizes Supported	A4, A5, Executive, Folio, JIS-B5, Legal, Letter, Universal, Oficio		10 Envelope, 7 3/4 Envelope, 9 Envelope, A4, A5, B5 Envelope, C5 Envelope, DL Envelope, Executive, Folio, JIS-B5, Legal, Letter, Statement, Universal, Oficio, A6
<b>General Information<sup>6</sup></b>			
Standard Ports	USB 2.0 Specification Hi-Speed Certified (Type B), Gigabit Ethernet (10/100/1000), Front USB 2.0 Specification Hi-Speed Certified port (Type A), Rear USB 2.0 Specification Hi-Speed Certified port (Type A)		
Optional Network Ports	MarkNet N8352 802.11b/g/n Wireless		
Noise Level: Operating	Print: 50 dBA / Copy: 50 dBA / Scan: 49 dBA		
Specified Operating Environment	Temperature: 16 to 32°C (60 to 90°F), Humidity: 8 to 80% Relative Humidity, Altitude: 0 - 2896 Meters (9,500 Feet)		
Product Guarantee	1-Year Onsite Service		
Size (mm - H x W x D) / Weight	470 x 444 x 589 mm / 28.2 kg		600.3 x 444 x 589 mm / 32.4 kg

<sup>1</sup>Average continuous black or continuous composite CMY declared cartridge yield up to this number of standard pages in accordance with ISO/IEC 19798. <sup>2</sup>Product functions only with replacement cartridges designed for use in a specific geographical region. See [www.lexmark.com/regions](http://www.lexmark.com/regions) for more details. <sup>3</sup>Print and copy speeds measured in accordance with ISO/IEC 24734 and ISO/IEC 24735 respectively (ESAT). For more information see: [www.lexmark.com/ISOspeeds](http://www.lexmark.com/ISOspeeds). <sup>4</sup>Actual Yield may vary based on other factors such as device speed, paper size and feed orientation, toner coverage, tray source, percentage of black-only printing and average print job complexity. <sup>5</sup>Maximum Monthly Duty Cycle<sup>5</sup> is defined as the maximum number of pages a device could deliver in a month using a multishift operation. This metric provides a comparison of robustness in relation to other Lexmark printers and MFPs. <sup>6</sup>Printers are sold subject to certain license/agreement conditions. See [www.lexmark.com/printerlicense](http://www.lexmark.com/printerlicense) for details. <sup>7</sup>Recommended Monthly Page Volume<sup>7</sup> is a range of pages that helps customers evaluate Lexmark's product offerings based on the average number of pages customers plan to print on the device each month. Lexmark recommends that the number of pages per month be within the stated range for optimum device performance, based on factors including: supplies replacement intervals, paper loading intervals, speed, and typical customer usage.



[www.lexmark.co.uk](http://www.lexmark.co.uk)

© 2015 Lexmark and the Lexmark logo are trademarks of Lexmark International, Inc., registered in the United States and/or other countries. All other trademarks are the property of their respective owners. ENERGY STAR® is a U.S. registered mark.

AirPrint and the AirPrint logo are trademarks of Apple Inc.