

Fellowes

Let your
productivity flow



REFLEX™
Dual Monitor Arm

Earth Series™

Dual Monitor Arm

Features:

- Experience greater freedom and space to thrive with our value monitor arm range
- Easily adjust the height and depth for a comfortable workspace that reduces your risk of eye, neck and back strain
- Independently tested to meet ergonomic requirements outlined in European Health and Safety Legislation: EN ISO 9241-5
- Free up valuable desk space using our easy-to-install clamp or grommet attachments
- Increase your productivity with dual screen working - holds two screens up to 8kg and 30" each
- Simple design with built-in cable management to keep you tangle-free
- Made from 46% recycled and 98% recyclable materials



Specifications:

Code	8502601
Colour	Black: RAL 9017
Product Dimensions (H x W x D)	550 x 116 x 726mm
Product Weight	4.59kg
Retail Packaging Dimensions (H x W x D)	156 x 124 x 473mm
Retail Packaging Weight	5.12kg
Outer Carton Dimensions (H x W x D)	46 x 184 x 489mm
Outer Carton Weight	5.43kg
Pole Height	450mm
Height Adjustment Range	58 - 416mm
Rotation	360°
Pan	± 90° (180°)
Tilt	± 45° (90°)
Arm Swivel	180°
VESA	75 x 75 / 100 x 100
Clamp: Desk Thickness	10 - 88mm
Grommet: Desk Thickness	10 - 75mm
Grommet: Diameter	10.5 - 70mm
Weight Capacity (kg)	8kg per arm
Maximum Monitor Size	30" (76.2cm) diagonally 809 mm (W) x 924 mm (H)
Retail Barcode (UPC)	043859748488
Outer Carton Barcode (SCS)	50043859748483
Quantity per Outer Carton	1
Country of Origin China	China
Warranty	5 years limited

Environmental:

PRODUCT	Product Material Breakdown		Product Recycled Content		
	Weight (g)	Weight (%)	Pre-Consumer Recycled Content (g)	Post Consumer Recycled Content (g)	Total Recycled Content (%)
Aluminium	420.80	9%	-	420.80	100%
Steel	4050.04	88%	-	1701.02	42%
Plastic	114.74	3%	-	-	-
Total	4585.58	100%	-	2121.82	46%

PACKAGING	Material Breakdown		Recycled Content		
	Weight (g)	Weight (%)	Pre-Consumer Recycled Content (g)	Post-Consumer Recycled Content (g)	Total Recycled content (%)
Paper / Card / Corrugated	809.93	96%	0.00	239.38	30%
LDPE (4) plastic bag	23.04	3%	0.00	0.00	0%
Polystyrene foam	8.98	1%	0.00	0.00	0%
Total	841.95	100.0%	0.00	239.38	28%

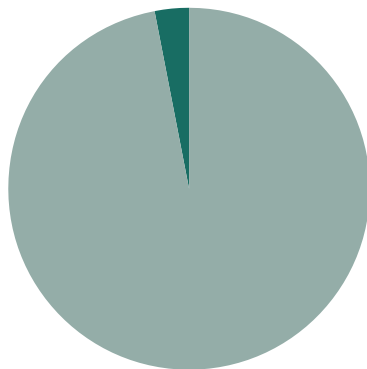
Pre-Consumer Recycled Content: Waste material that was created during the process of manufacturing or delivering goods before their delivery to consumers.

Post-Consumer Recycled Content: Waste material created by consumers. This material is diverted from landfills and utilised to produce other commodities.

Recyclability:

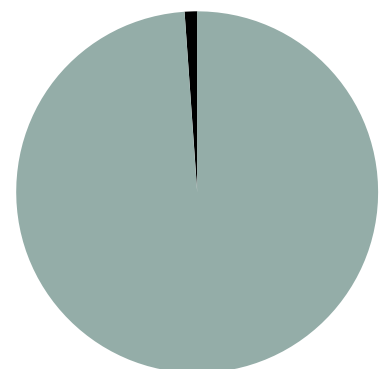
Product:

- Recyclable 98%
- Non Recyclable 2%



Packaging:

- Recyclable 99%
- Non Recyclable 1%



REFLEX™ DUAL MONITOR ARM

Ergonomic Working:

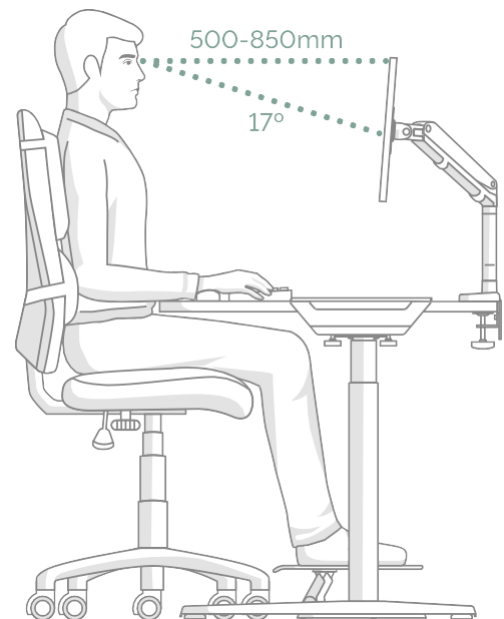


ZONE 3 RELIEVE NECK STRAIN

Achieve comfortable viewing.
Ensure your eyes are in line with
the top of your screen.

How to use a monitor arm

- 1. Arms Reach:** Whether sitting or standing check that your monitor is positioned so you can touch the screen with your fingertips and that you can easily read what is on your screen without straining.
- 2. Eye level:** Adjust the monitor arm until the top of your monitor/s are roughly level with your eyes.
- 3. Tilt:** Tilting the screen slightly upwards can help achieve a more neutral posture and reduce glare.
- 4. Multiple screens:** If you're using more than one monitor make sure:
 - The tops of each screen are level and positioned side by side;
 - You sit in the middle or in front of your main screen to reduce twisting and turning.



Certifications:

- EN ISO 9241-5 1999 Ergonomic requirements for office work with visual display terminals (VDT's): part 5: 1999, workstation layout and postural requirements.
- ANSI / BIFMA x5.5 - 2014 Desk/Table Products. Clause 22, 23, 24.

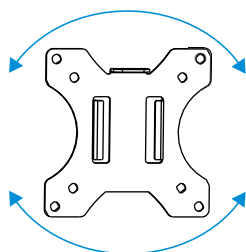
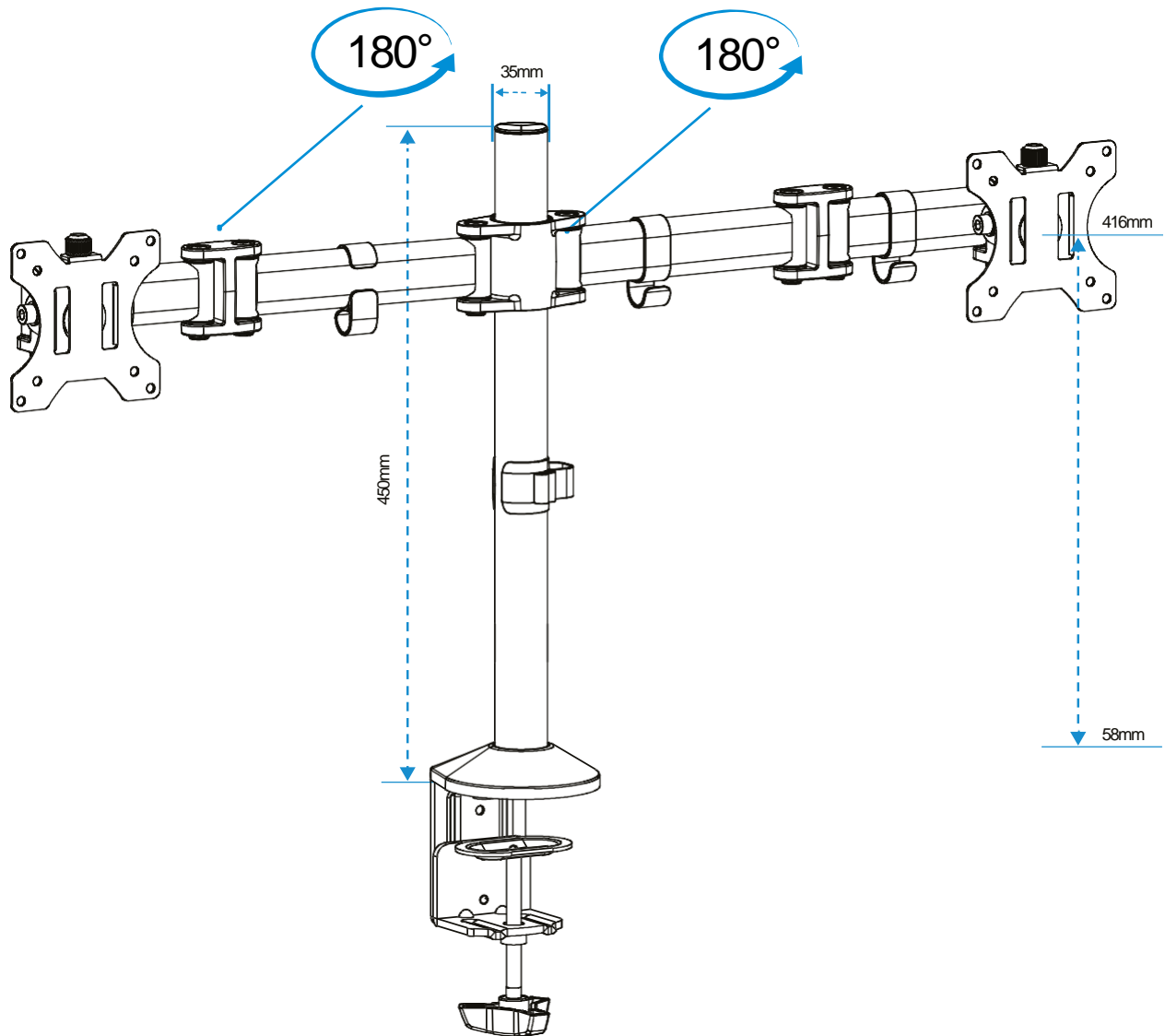


Aftercare:

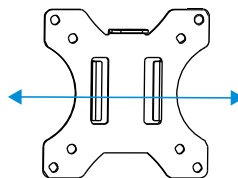
- **Servicing:** Check joint parts regularly to make sure the screws have not loosened.
- **Cleaning:** Wipe over with a damp microfibre cloth. Do not use any cleaning solutions.
- **Handling & Storage:** Read and follow all instructions and warnings before use. This product is intended for indoor use only.

REFLEX™ DUAL MONITOR ARM

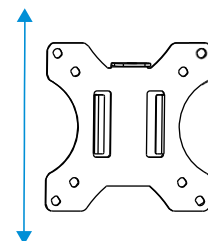
Dimensional Drawings:



Rotation
360°



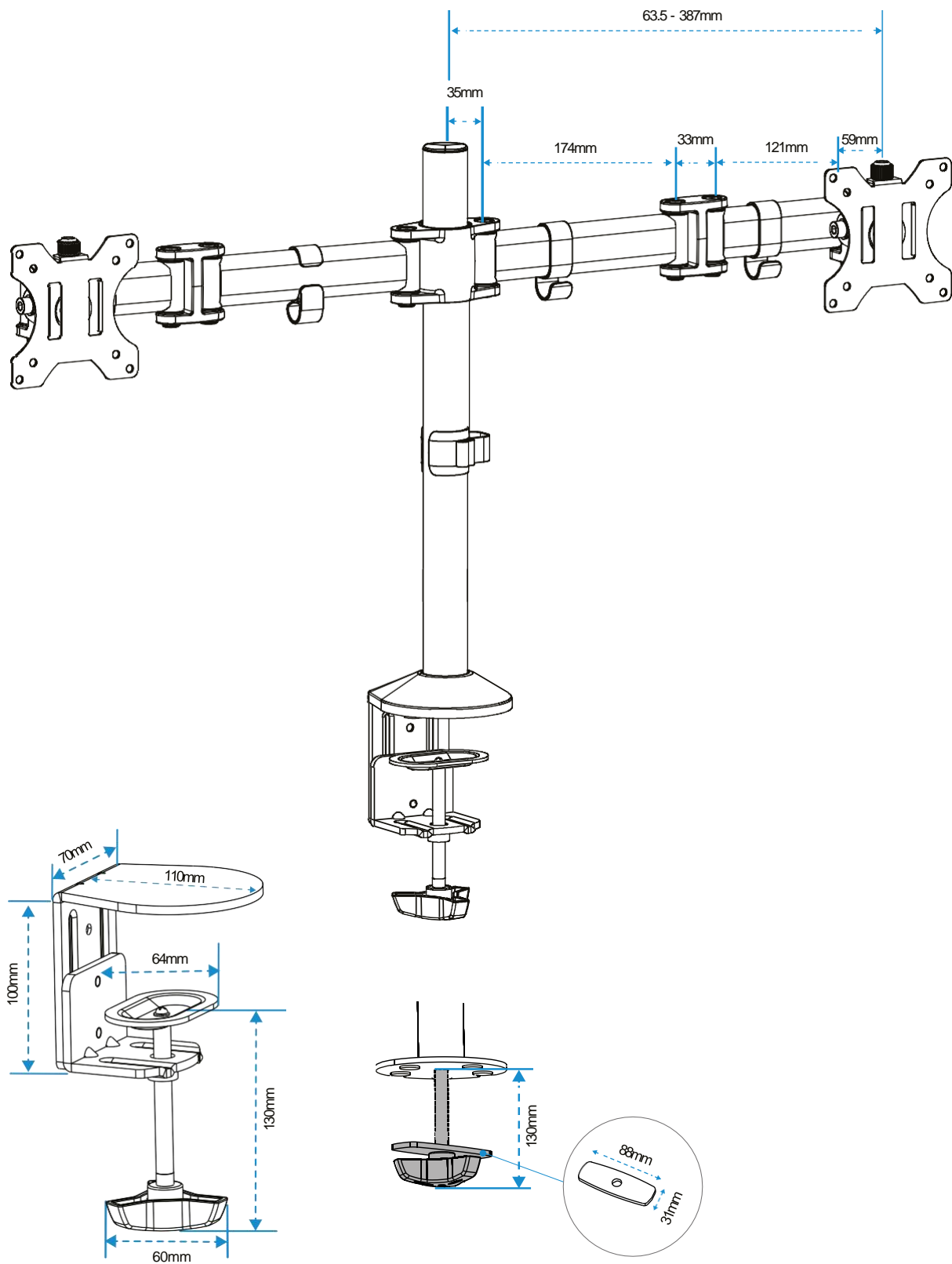
Pan
±90° (180°)



Tilt
±45° (90°)

REFLEX™ DUAL MONITOR ARM

Dimensional Drawings:



Every effort has been made to ensure that information provided in this document is up to date and accurate. However, Fellowes cannot guarantee and assumes no legal liability or responsibility for the accuracy or completeness of the information provide. In case of any query please contact us as www.Fellowes.com/locations.