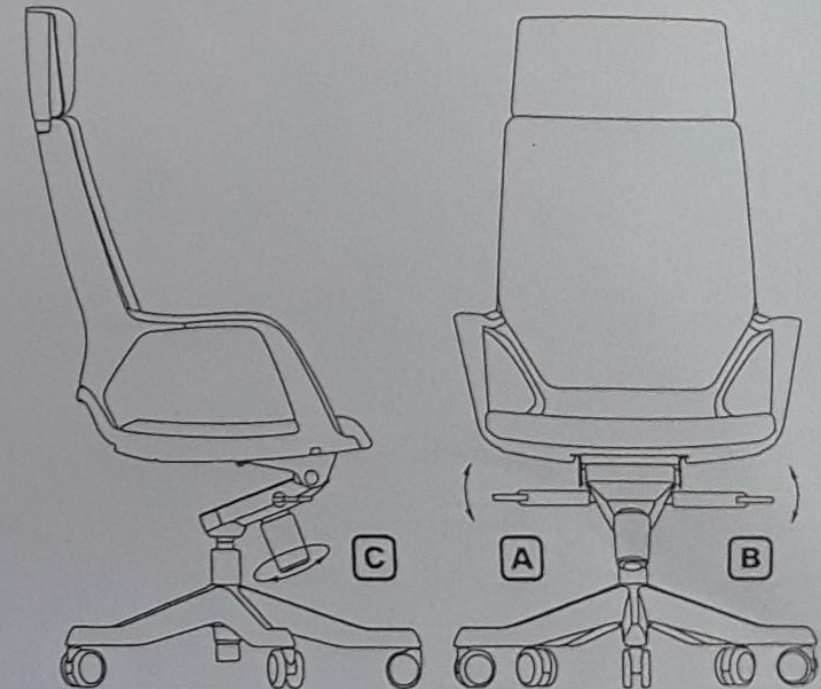


XENON

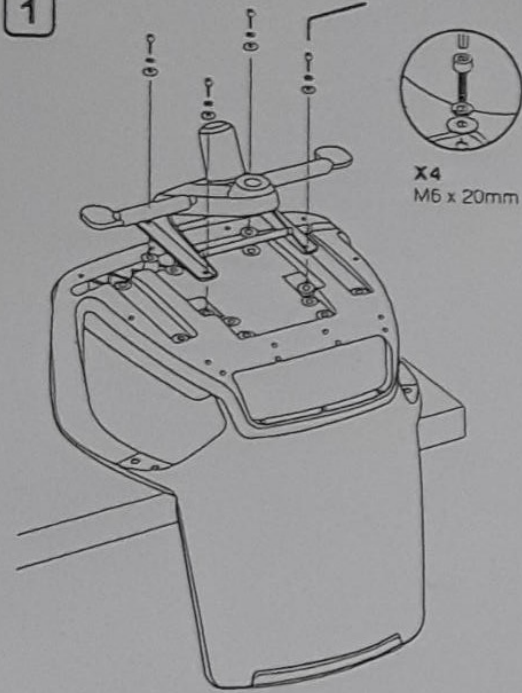
models: 909*KTA72V*
908*KTA72V*

USER INSTRUCTIONS

- A** **Seat Height Adjustment**
Flip up lever on right-side to raise or lower seat. Adjust such that your feet are adequately supported on the floor.
- B** **Multi-Position Tilt Lock**
Recline to desired position, and flip down lever on left-side to lock. Flip up lever to release tilt-lock.
- C** **Tilt Tension Control**
Turn bottom knob clockwise to provide a stronger tilt tension, and vice-versa. Adjust such that minimum effort is required to push back when reclining.



1



3



2

