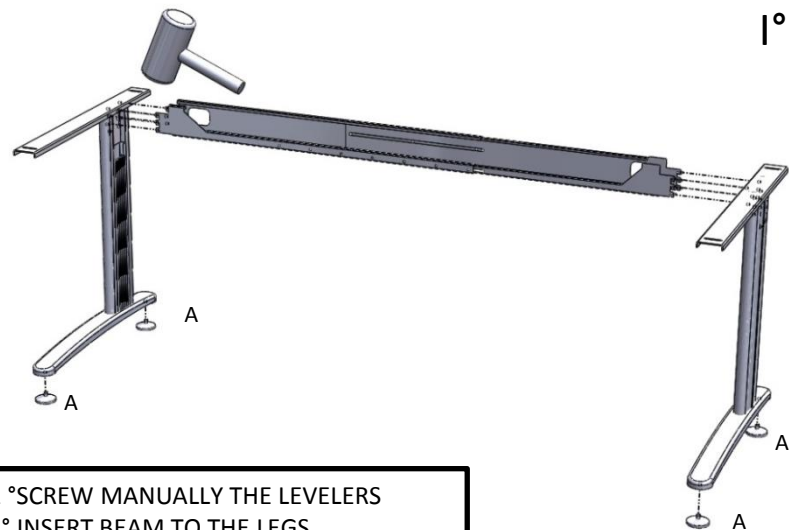
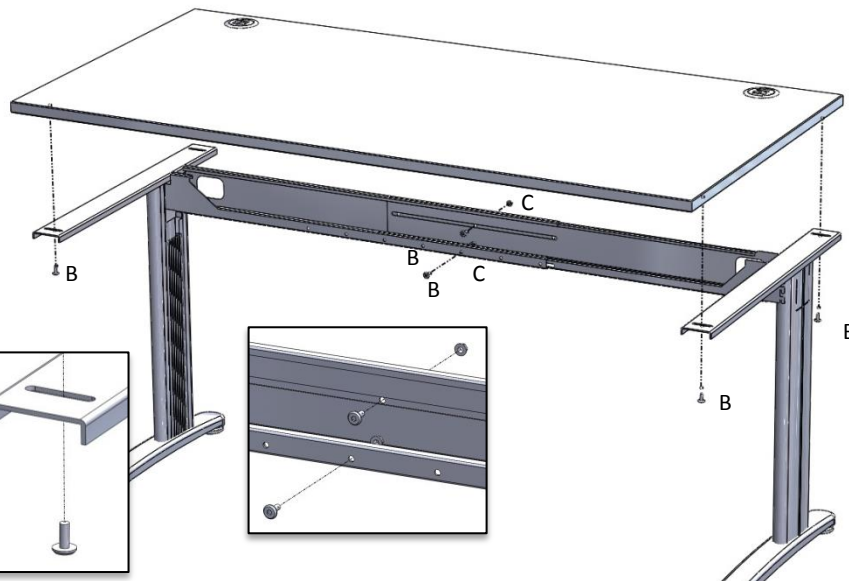


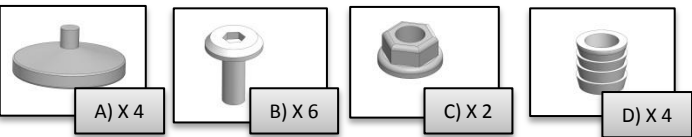
4° ADJUST THE LENGTH OF BEAM AS NECESSARY  
5° INSERT NYLON GLUE IN SOCKET M6x11



1° SCREW MANUALLY THE LEVELERS  
2° INSERT BEAM TO THE LEGS  
3° FIX BEAM WITH A RUBBER HAMMER



6° SCREW DESK – TOP TO THE FRAME  
7° FIX BEAM LENGTH WITH TWO BOLTS AND TWO FLANGE NUTS



A) X 4

B) X 6

C) X 2

D) X 4

DAMS \_ TRIO TS600 – TS 800