
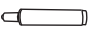
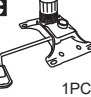


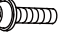






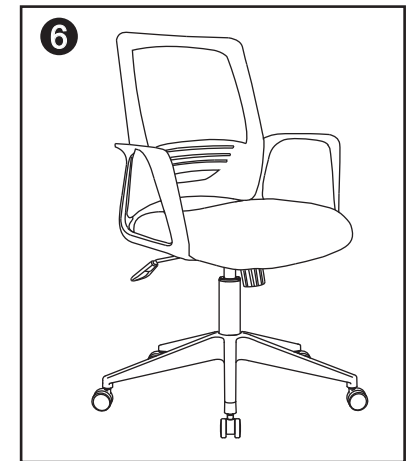
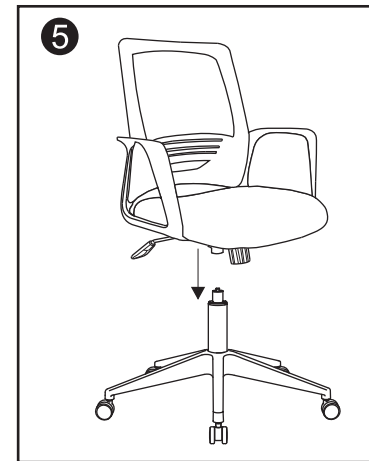
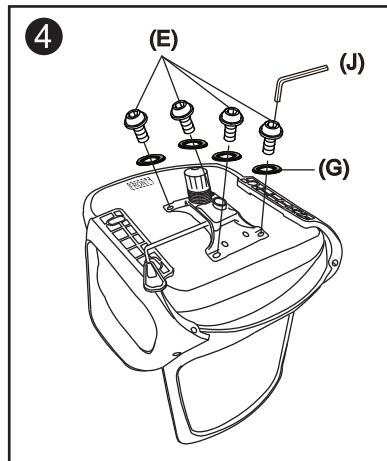
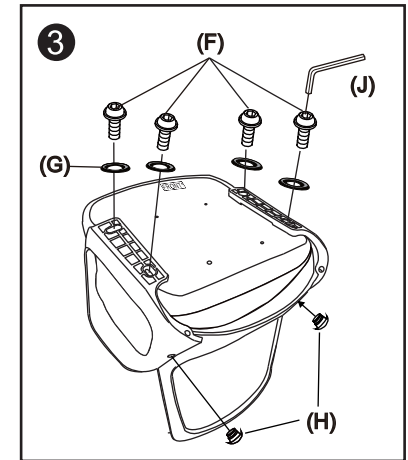
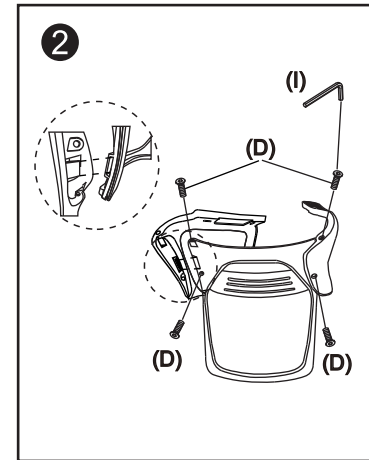
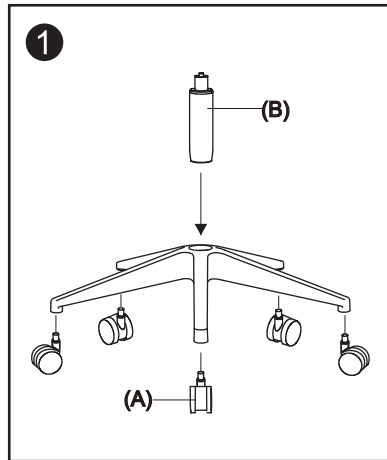
ASSEMBLY INSTRUCTIONS

- A**  5PCS
- B**  1PC
- C**  1PC
- D**  4PCS
- E**  4PCS
- F**  4PCS
- G**  8PCS
- H**  2PCS
- I**  1PC
- J**  1PC



dams  **TOT300T1**

Do not tighten bolts fully until you have completed assembly.
Should you require any assistance in assembling your goods please contact customer services on 0151 548 7111 between 9am/4:30pm.



WARNING

- DO NOT USE THIS CHAIR AS A STEPLADDER
- USE THIS PRODUCT ONLY FOR SEATING ONE PERSON AT A TIME
- DO NOT USE THIS CHAIR UNLESS ALL BOLTS, SCREWS AND KNOBS ARE FIRMLY SECURED
- AT LEAST EVERY 4 MONTHS CHECK ALL BOLTS, SCREWS AND KNOBS TO BE SURE THEY REMAIN TIGHT
- IF PARTS ARE MISSING, BROKEN, DAMAGED OR WORN, STOP USING THE PRODUCT UNTIL REPAIRS ARE MADE USING AUTHORIZED PARTS
- FAILURE TO FOLLOW THESE INSTRUCTIONS/WARNINGS COULD RESULT IN SERIOUS INJURY