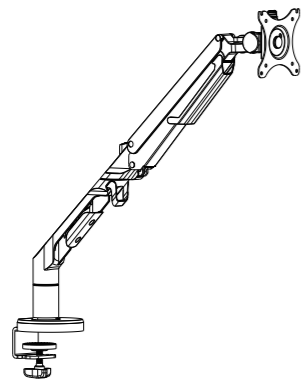


**Item No.: TGSMARM**

Installation guide



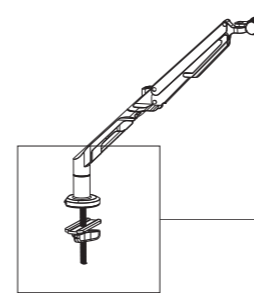
M4X12MM A(4PCS) M5X12MM B(4PCS) M6x12MM C(3PCS)  $\phi$  6.5X  $\phi$  13X1.8 D(8PCS) 4x4mm Allen Key E(1PC) 5x5mm Allen Key F(1PC)

①	Perforated plate	1 pc
②	Long screw	1 pc
③	Pressure plate	1 pc
④	Hand wheel	1 pc
⑤	Base mounting plate	1 pc
⑥	Clip	1 pc
⑦	Protection pad 1	1 pc
⑧	Protection pad 2	1 pc
⑨	Protection pad 3	1 pc
⑩	Monitor Arm	1 pc
⑪	VESA plate	1 pc



**STEP 2-B**

Option2: Grommet

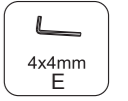


Notice: Keep the counterbore side down

Available hole size: 8.5-70mm

For desk thickness: 25-100mm

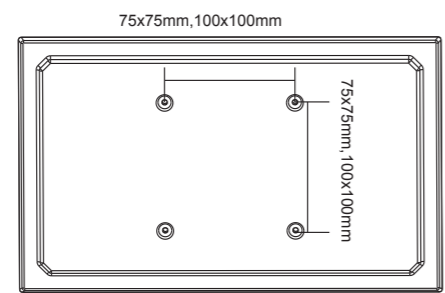
Tighten



**STEP 1**

The Preparation Before Monitor Installation

1. Make sure there are VESA holes 100x100mm or 75x75mm in the monitor. If not, the mount cannot be installed.
2. Remove the original fixed base of monitor. Be careful not to scratch the screen.



**STEP 3**

Connect the plate and monitor

① Use washer if needed (D)

② Use the allen key (F) to tighten the screw

Tighten

**STEP 2-A**

Option1:

**Caution**

4x4mm Allen Key E

For desk thickness: 20-30mm

Tighten

**STEP 4**

Install the monitor to the arm

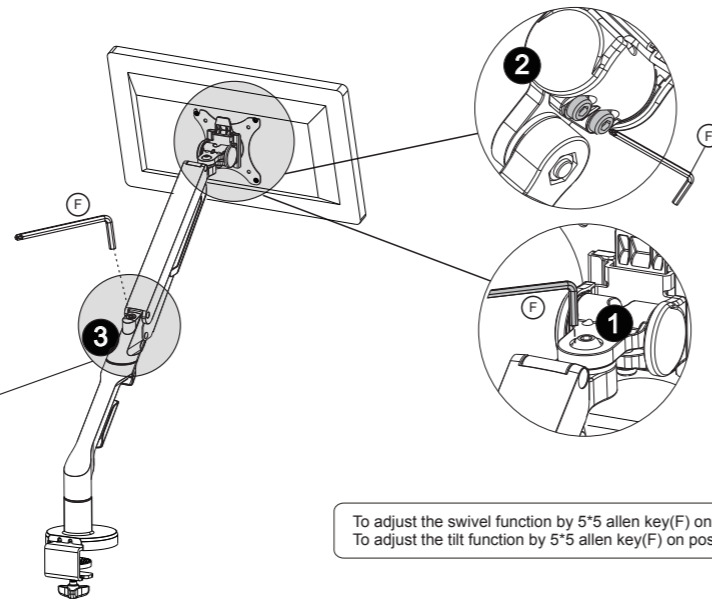
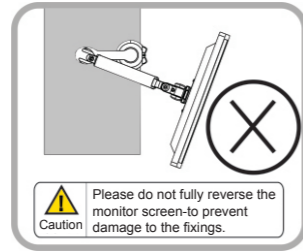
Tighten

VESA plate

Hang the monitor on the plate from top to bottom and ensure it is tightened

## STEP 5

### Adjust the monitor



**⚠ Factory setting: 5-7KG**  
Adjust the monitor's height after installing. If the monitor cannot remain at any height, pls use the supplied 5x5 allen key to adjust the screw on the arm. To equalise the mount and monitor's weight-please adjust the screw in "-" direction when the monitor up and "+" direction when it down.

To adjust the swivel function by 5\*5 allen key(F) on position 1  
To adjust the tilt function by 5\*5 allen key(F) on position 2



## CAUTION

- This product contains small items that could be a choking hazard if swallowed. Keep these items away from young children.
- Make Sure these instructions are read and completely understood before attempting installation. If you are unsure of any part of this installation, please contact a professional installer for assistance.
  - The desk or mounting surface must be capable of supporting the combined weight of the mount and the display, otherwise the structure must be reinforced.
  - Safety gear and proper tools must be used. A minimum of two people are required for this installation. Failure to use safety gear can result in property damage, serious injury or death.
  - please check joint parts every two months, making sure the screws are not loosened.

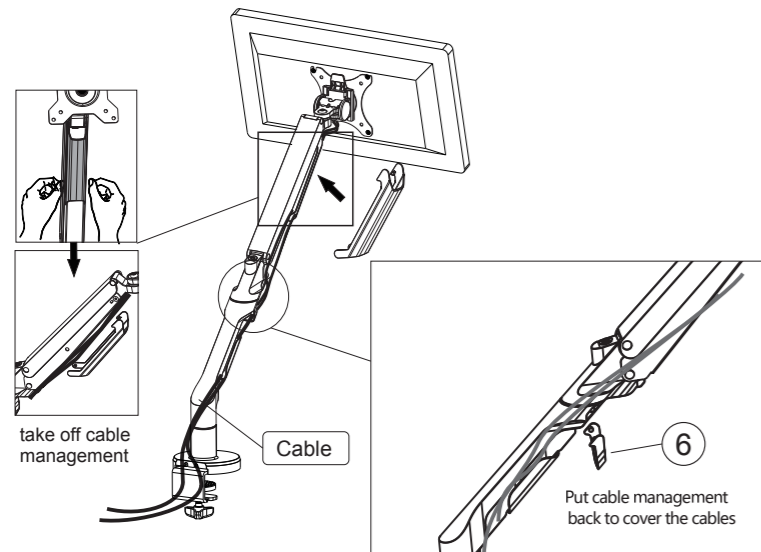
This product was designed to be installed on a desk. Before installing, make sure the mount will support the combined load of the equipment and hardware. Never exceed the maximum load capacity 12 KG, or else it may result in product failure or personal injury.

Note: this product is intended for indoor use only. Use of this product outdoors could lead to product failure or personal injury.

**Warning:** This product contains high pressure gas spring parts, please do not put it into fire, high temperature, or disassemble it, which will lead to personal injury. The obsolete products can be sent back to the manufacturer or handed over to professional institutions.

To maintain the gas mechanism in peak performance - it is suggested to raise the monitor arm up to the maximum height: ideally twice per month.

### Cable management



### Specification

