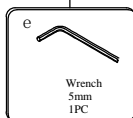
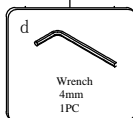
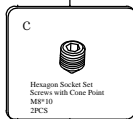
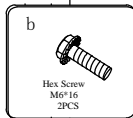


ASSEMBLY INSTRUCTIONS

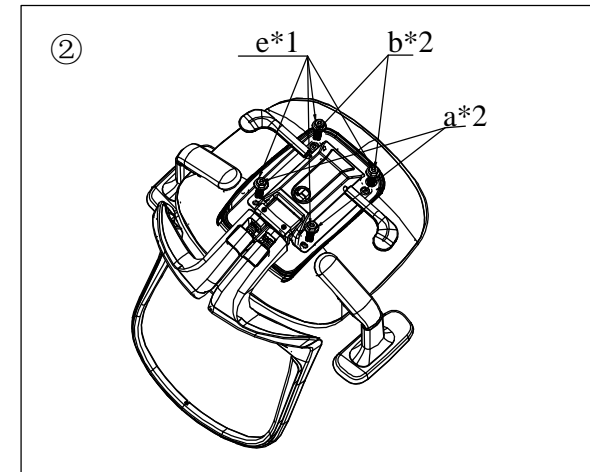
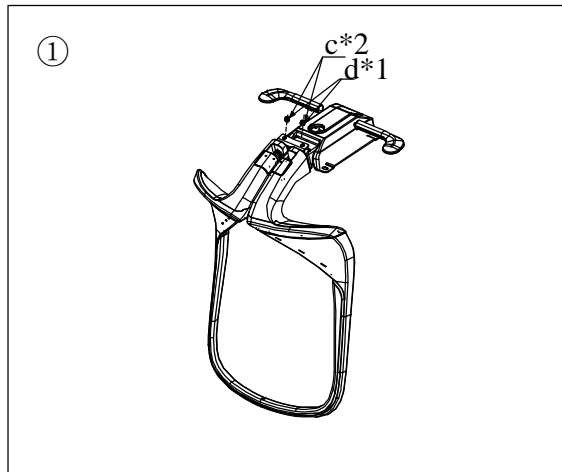
Sway



dams

SWY300K2-G

Do not tighten bolts fully until you have completed assembly.
Please note the fixing screws are located in their fixing points if not found in the parts bag.
Should you require any assistance in assembling your goods please contact customer services on 0151 548 7111 between 9am/4:30pm.



WARNING

- DO NOT STAND ON THIS CHAIR AND DO NOT USE THIS CHAIR AS A STEP LADDER
- USE THIS PRODUCT ONLY FOR SEATING ONE PERSON AT A TIME
- DO NOT USE THIS CHAIR UNLESS ALL BOLTS, SCREWS AND COMPONENTS ARE FIRMLY SECURED
- WE RECOMMEND EVERY 4 MONTHS TO CHECK ALL BOLTS AND SCREWS TO BE SURE THEY ARE TIGHT
- IF PARTS ARE MISSING, BROKEN, DAMAGED OR WORN, STOP USING THIS PRODUCT UNTIL REPAIRS ARE MADE USING FACTORY AUTHORISED PARTS
- FAILURE TO FOLLOW THESE WARNINGS COULD RESULT IN SERIOUS INJURY.