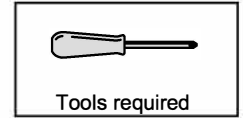


CL and DCL Leg



Please read before assembling the product



Carefully open packaging.

Check you have all the components shown on instructions sheets. Some products, instructions and fittings are packed in more than one box.

Handle Panels with care. Complete each stage before going to the next one.

Please keep packaging until assembly is complete. We hope that you are happy with the product.



Please recycle packaging



Keep fittings away from children



No power tools when inserting cam pins

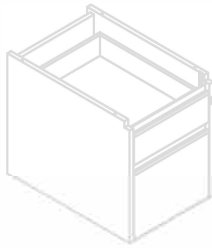


No power tools when tightening cams

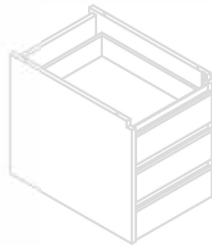


If you have-

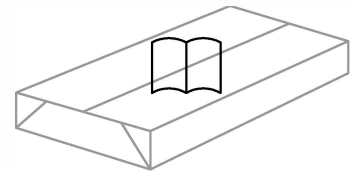
P2



P3

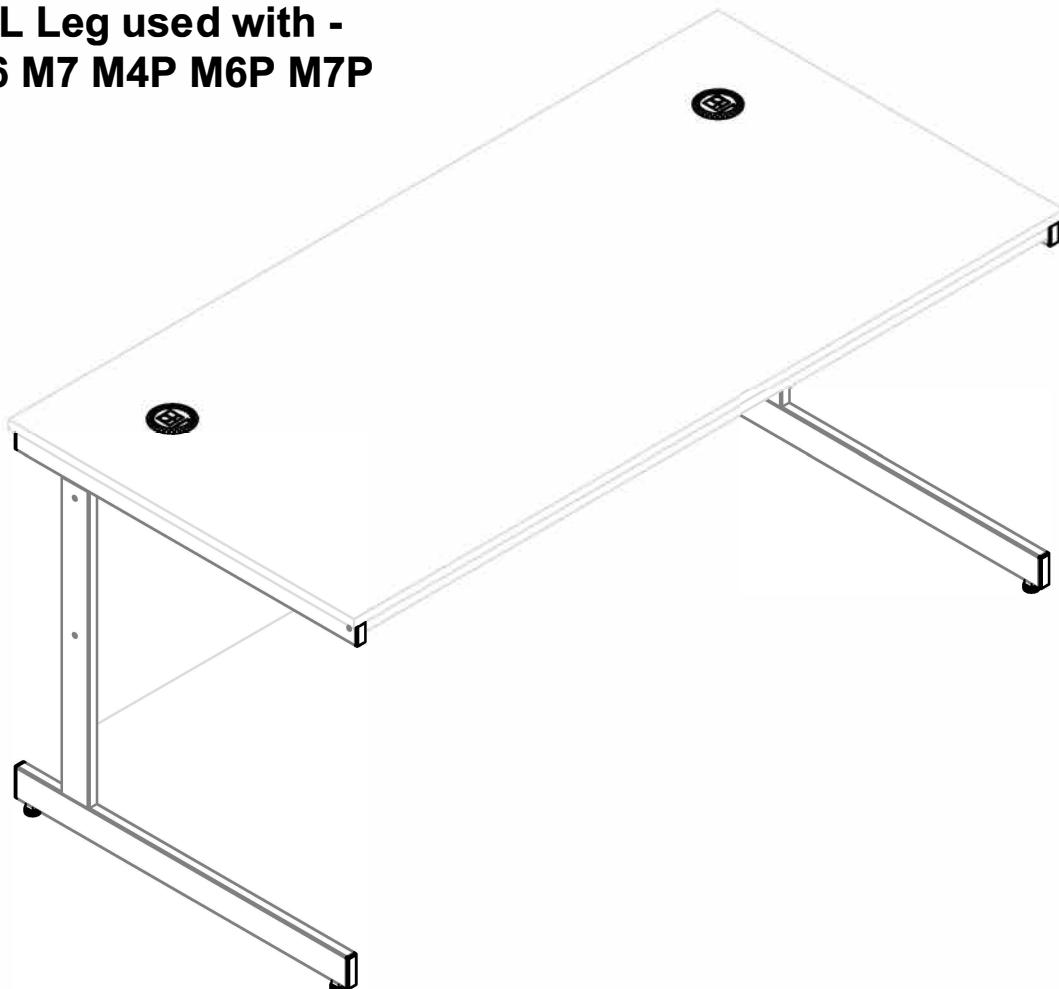


Use instructions inside



P2 or P3 Box

**CL and DCL Leg used with -
M3P M4 M6 M7 M4P M6P M7P**

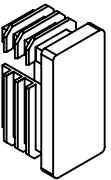
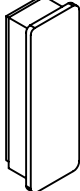







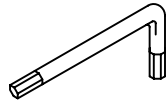

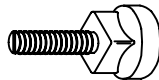
Please check that you have all the fittings



CL & DCL

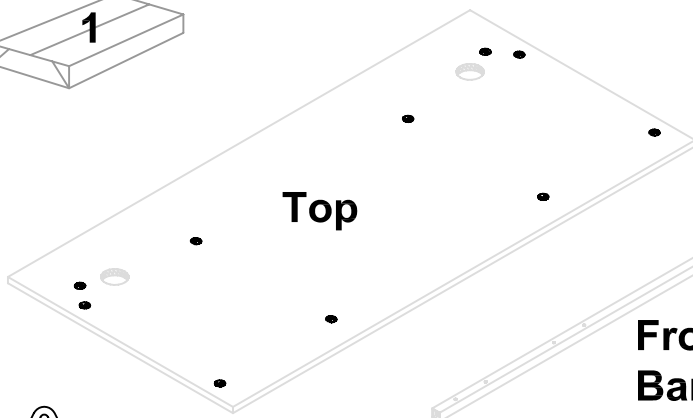
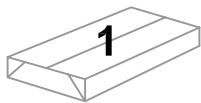
4	Ferrul 40x20mm with cut out FRL10 
4	Ferrul 60x20mm FRL02 

M3P M4P M6P M7P

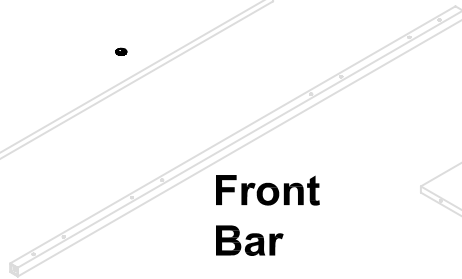
4	Confirmat screw 70mm CFM02 
2	Connect Bolt M6x50mm BLT05 
4	<div style="display: flex; align-items: center;"> <div style="margin-right: 10px;"> ! 2 M3P </div> <div> 1 1/2" x 8 screw SCR11  </div> </div>
1	4mm Allen key ALK01 
2	Blum pin PIN01 
4	Adjustable Foot Dia 25mm FRL19 



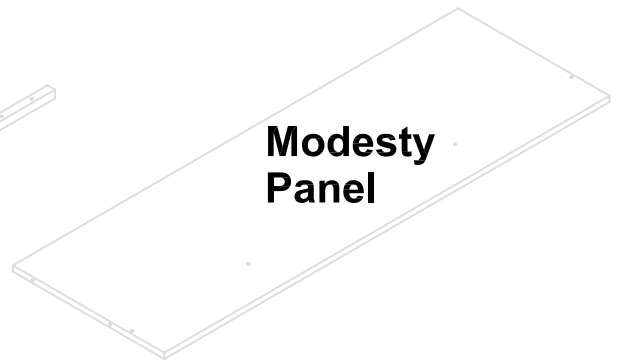
Please check that you have all the panels



Top



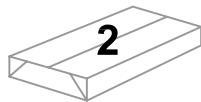
Front Bar



Modesty Panel



2 Leg Options Shown



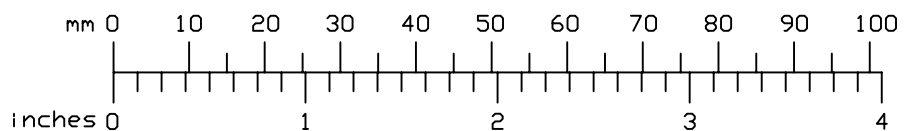
CL Leg

(x2)

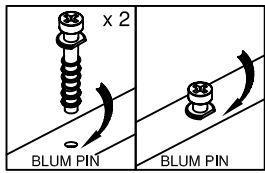


DCL Leg

(x2)



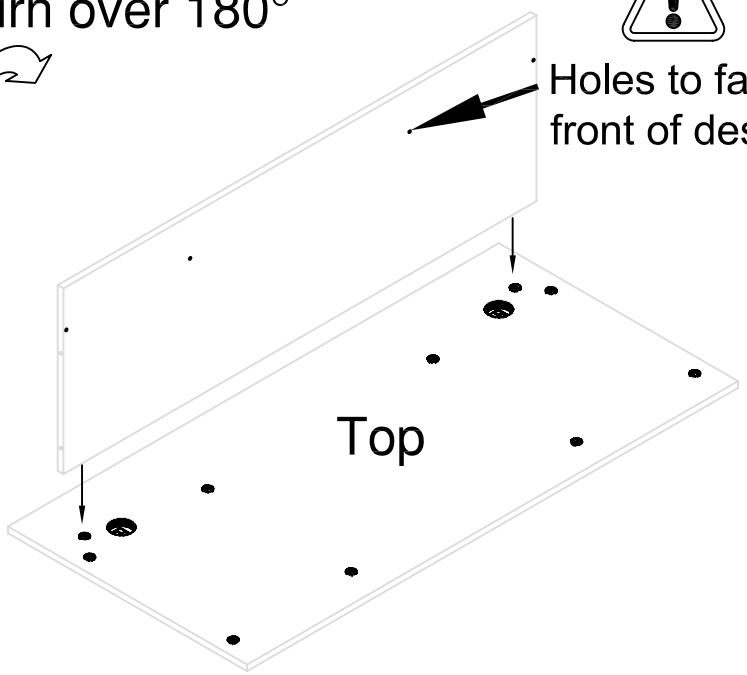
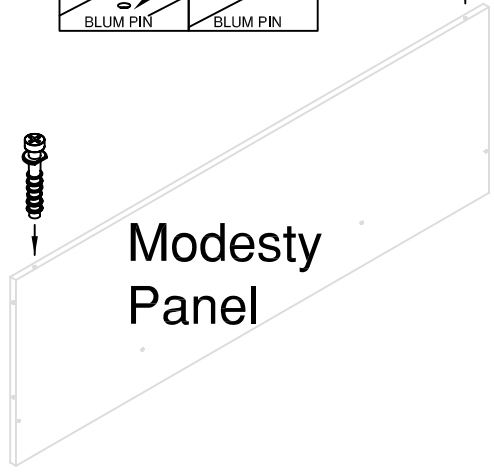
1



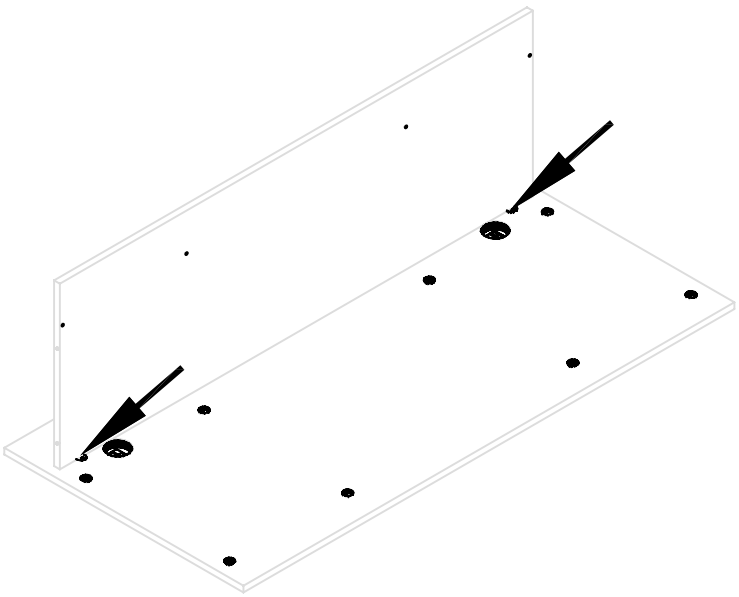
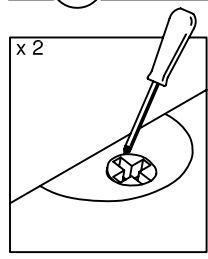
Turn over 180°



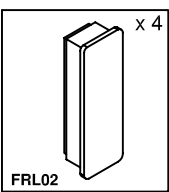
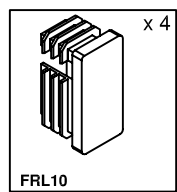
Holes to face front of desk



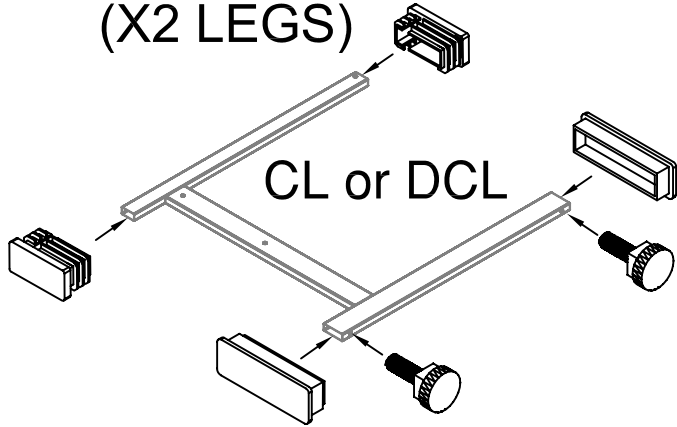
2



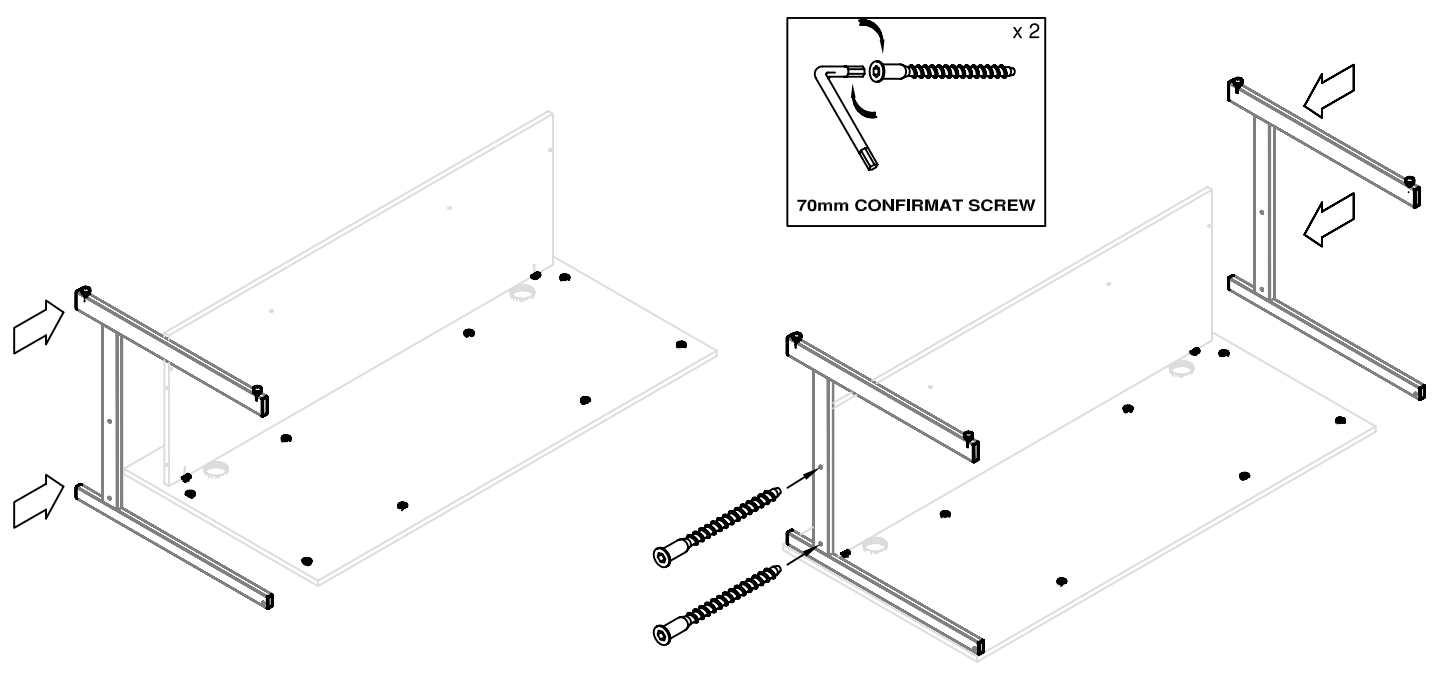
3



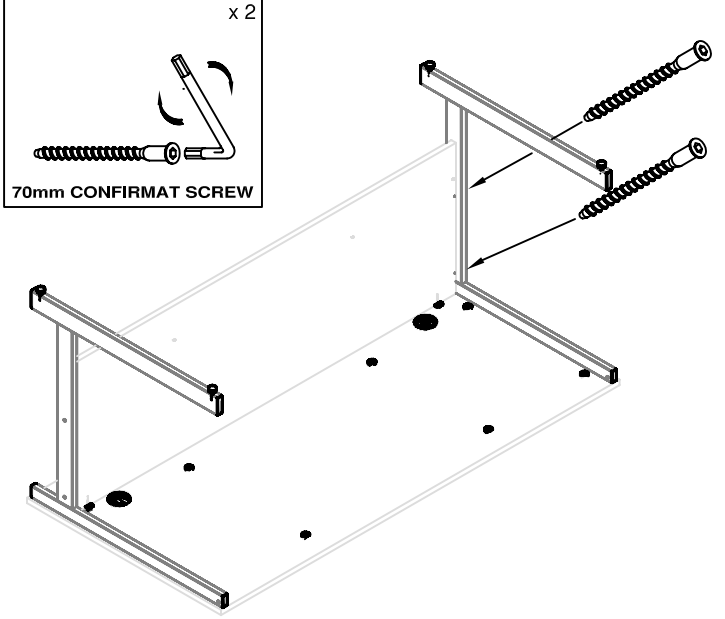
(X2 LEGS)



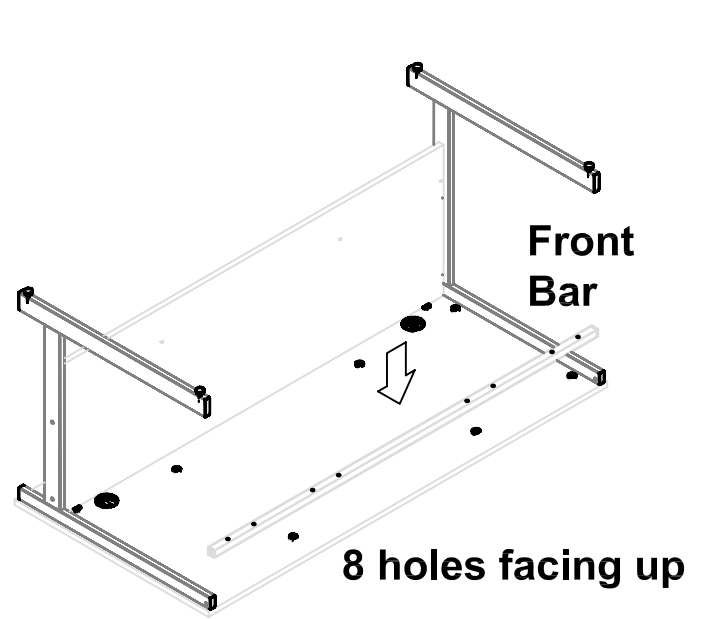
4



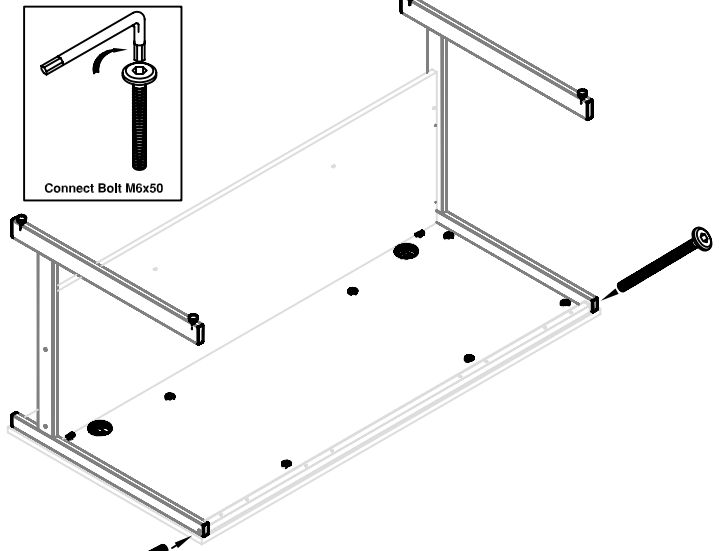
5



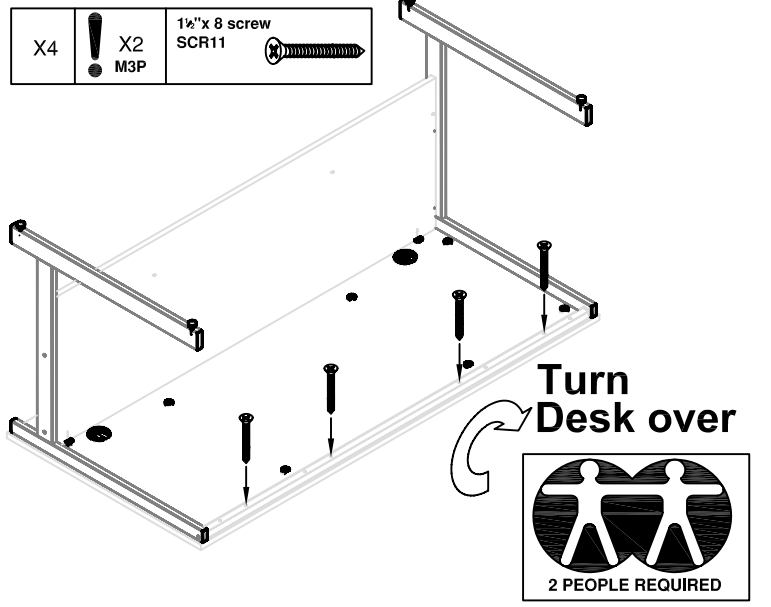
6



7



8



4