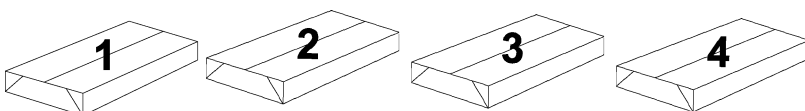
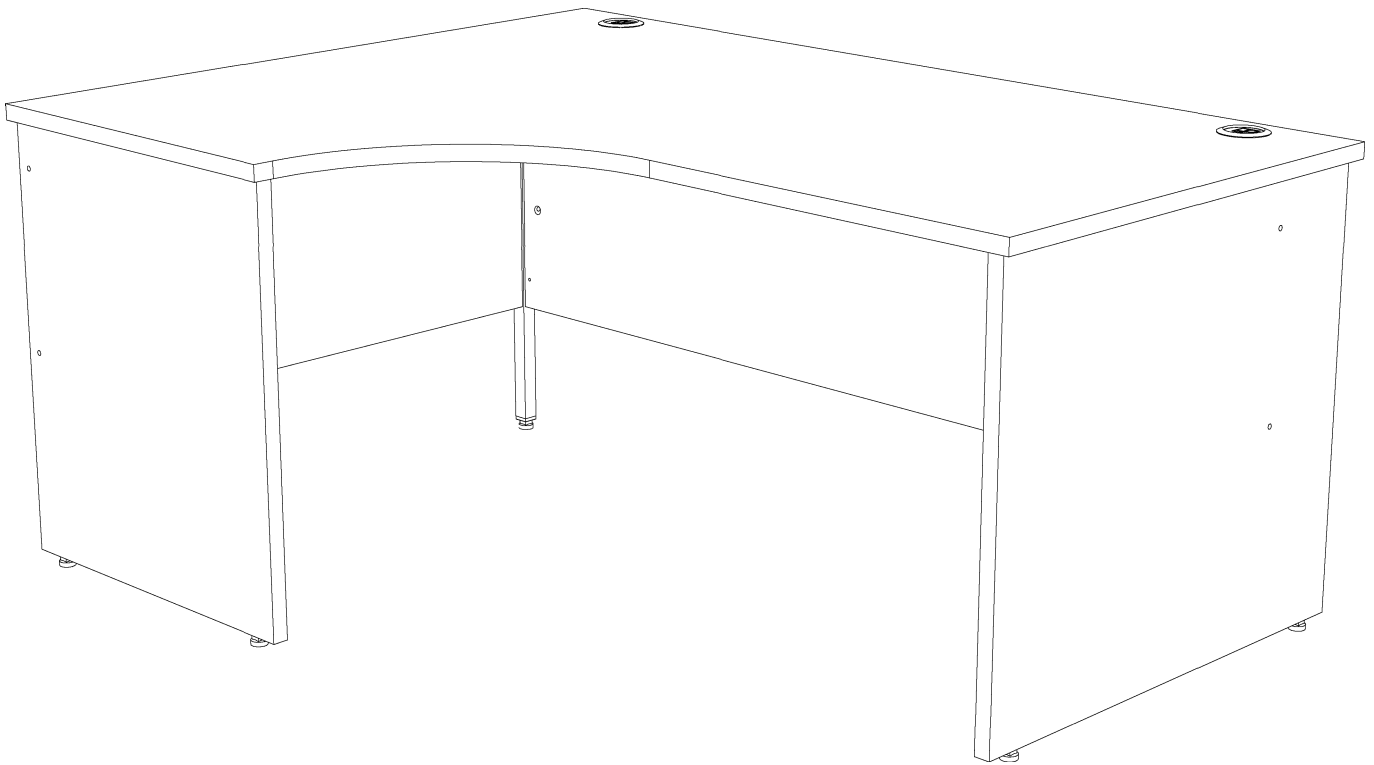
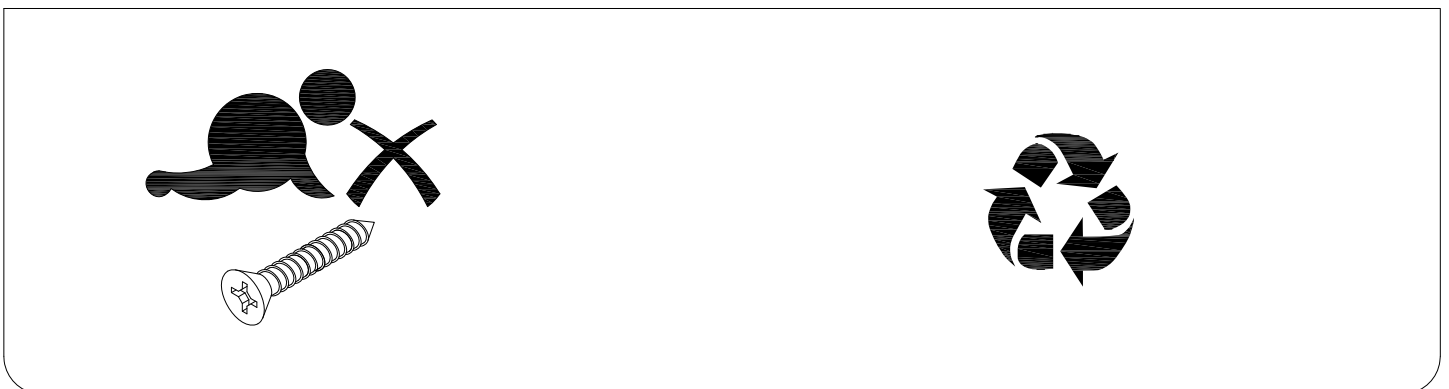
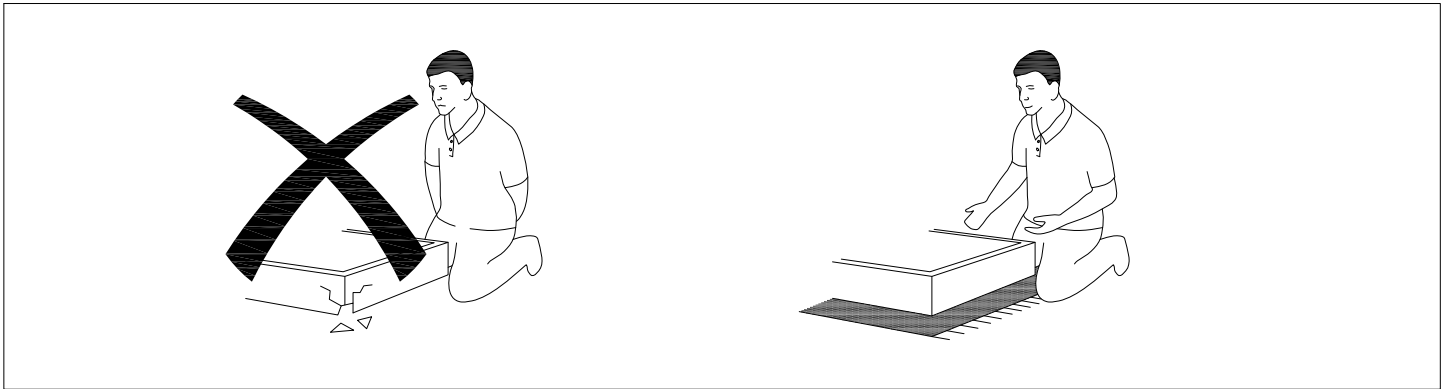
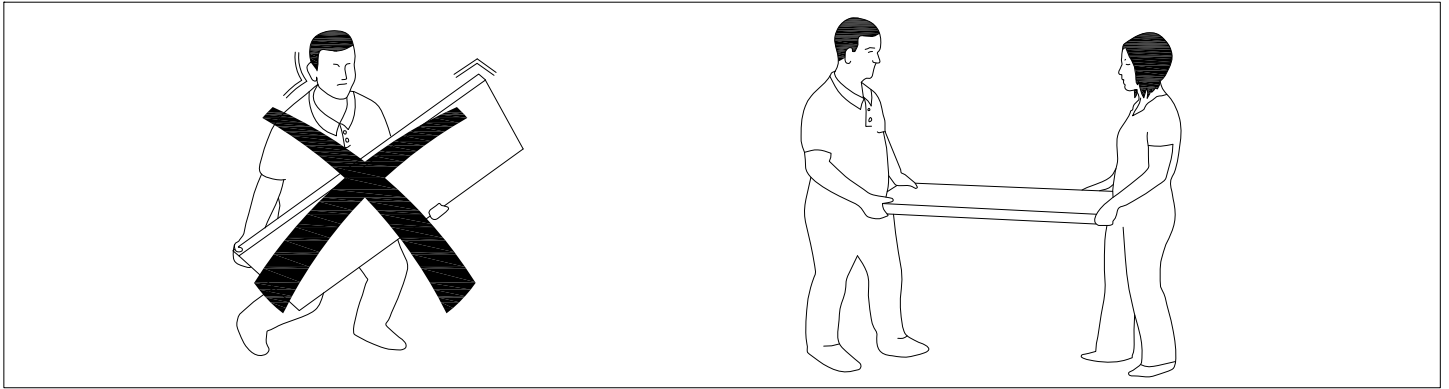
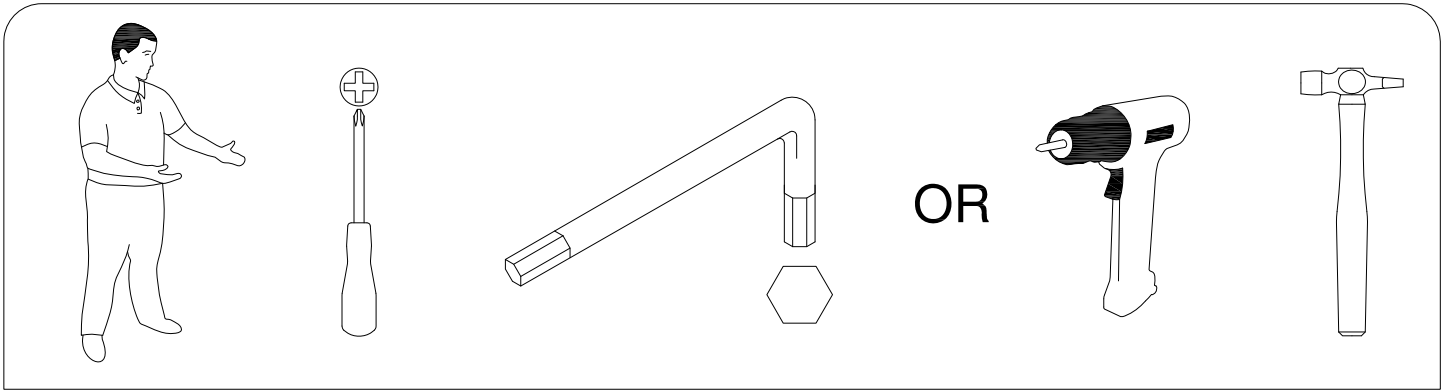


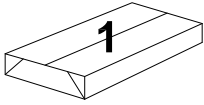
# MSEL LH Ergonomic Desk Panel Legs



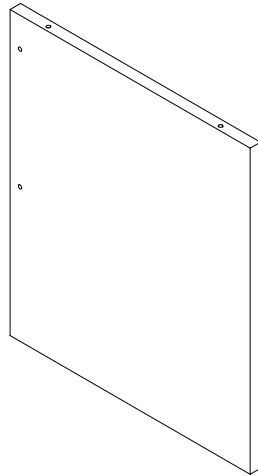




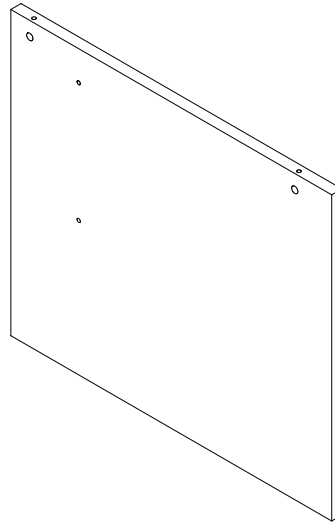
Please check that you have all the fittings



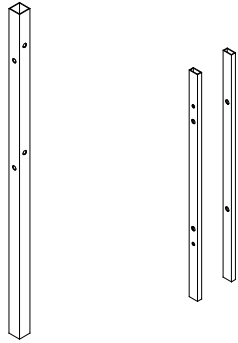
**600  
LH Leg**  
RM-LGP028



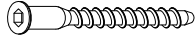
**800  
RH Leg**  
RM-LGP027



GREY **Corner  
Leg**  
RM-LEG37



**MS25  
BARS**  
RM-BARS28

**4** Confirmat screw 50mm (Black)  
RM-CFM01 

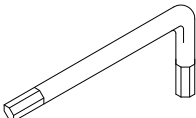
**4** Confirmat screw 70mm (Black)  
RM-CFM02 

**4** Connect Bolt M6x35mm  
RM-BLT03 

**4** Mini fix bolt B34  
RM-BLT07 


**4** Cam 15N  
RM-CAM03 

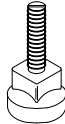
**3** 3/8" x 7 screw  
RM-SCR37 

**1** 4mm Allen key  
RM-ALK01 

**1** SEL Bracket  
RM-BRK T33 

**4** Gesipa M8 Blind Rivet Nut  
RM-NUT04 

**1** Ferrul 25x25 - Tapped M8  
RM-FRL03 

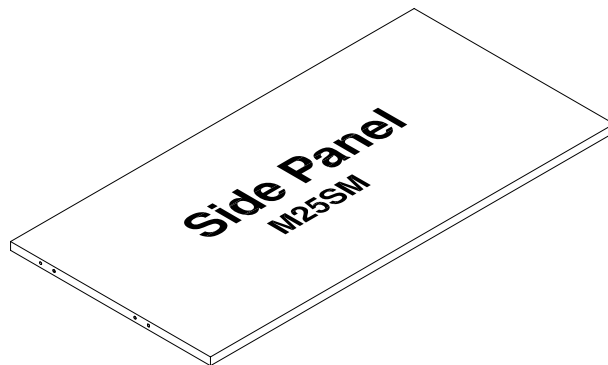
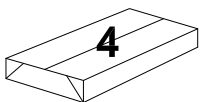
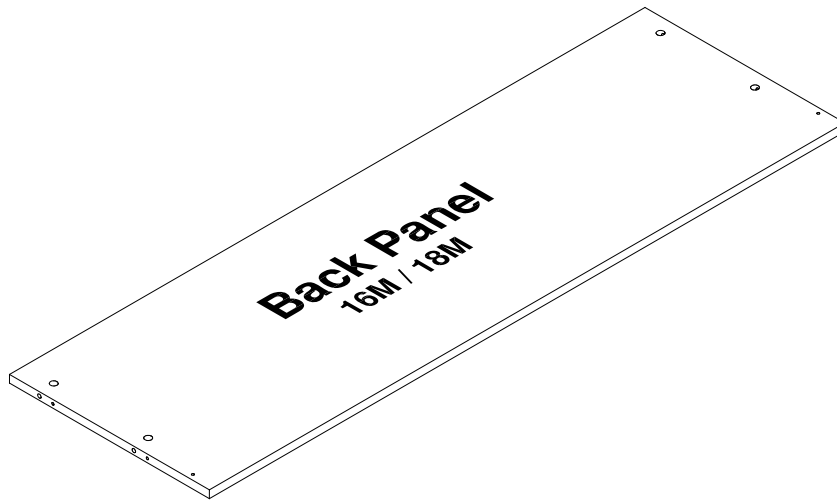
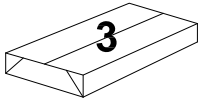
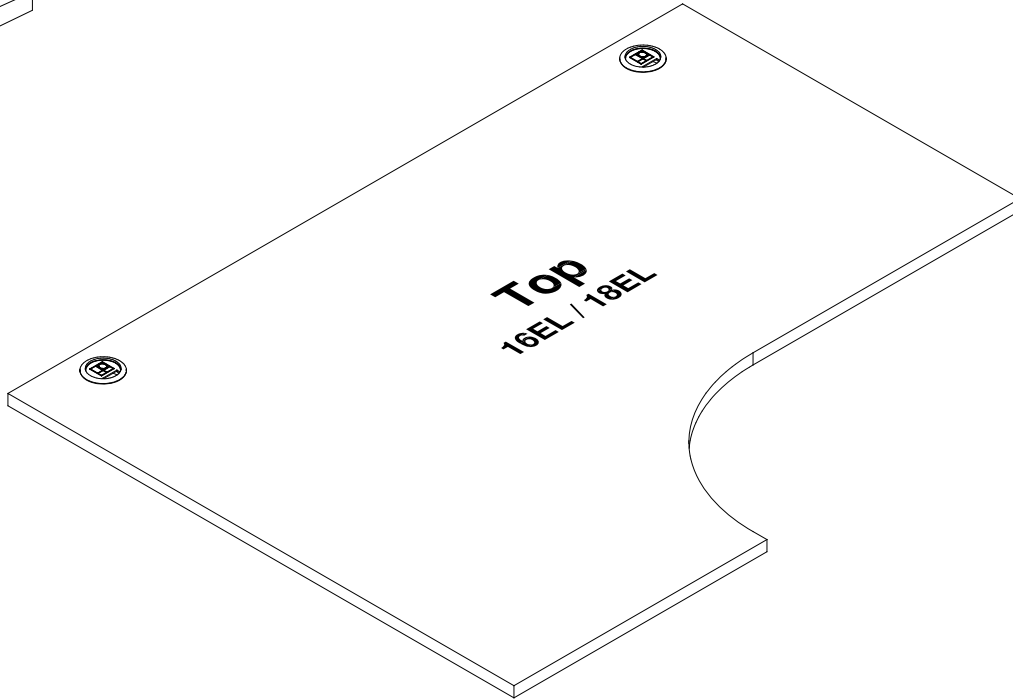
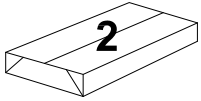
**5** Adjustable Foot Dia 25mm  
RM-FRL19 

**2** Nylon M6x10 Socket  
RM-PAR05 

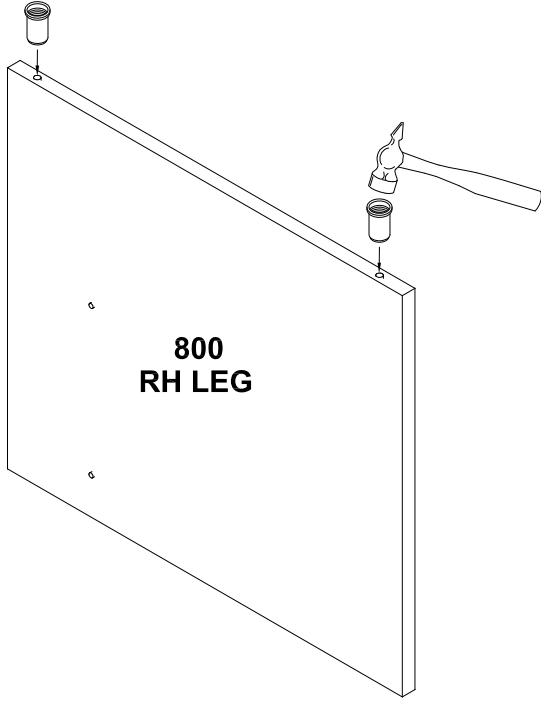
**2** M6x8 Brass Insert  
RM-PAR03 



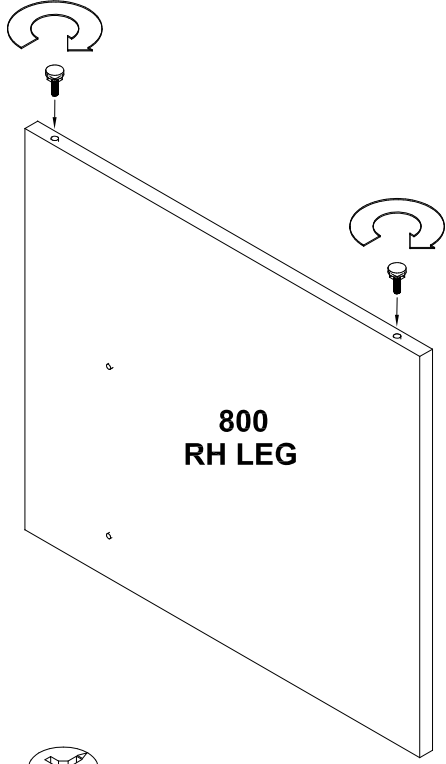
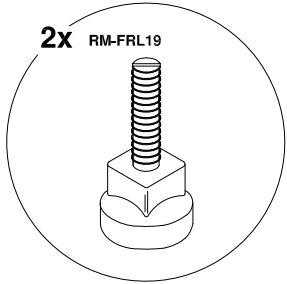
Please check that you have all the fittings



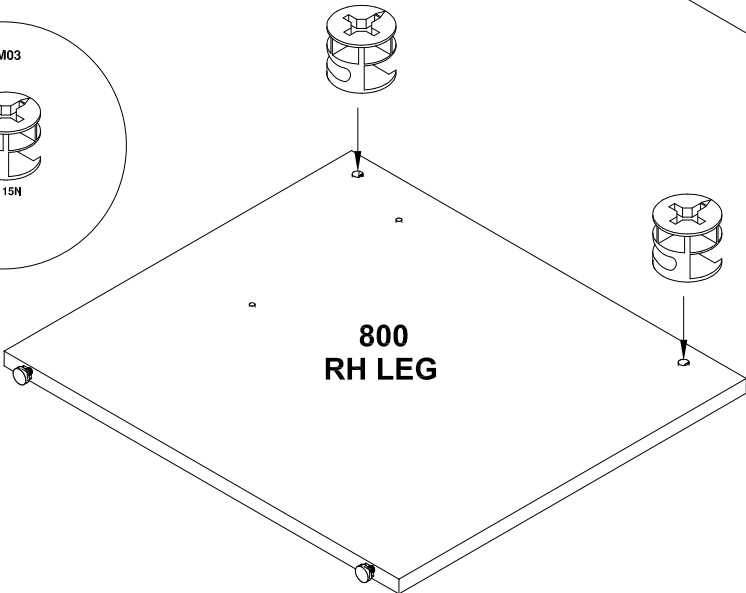
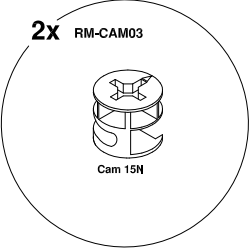
1



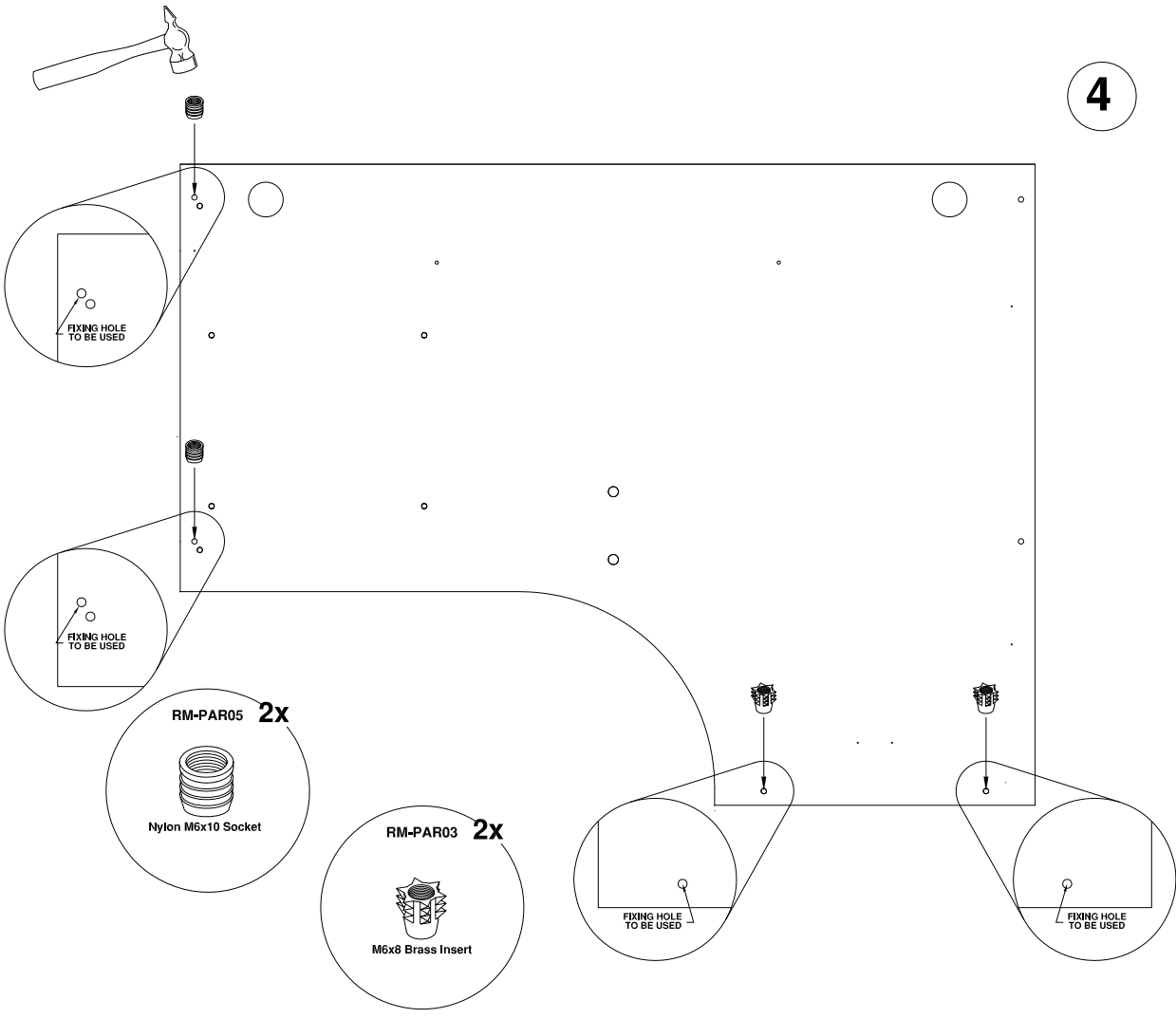
2



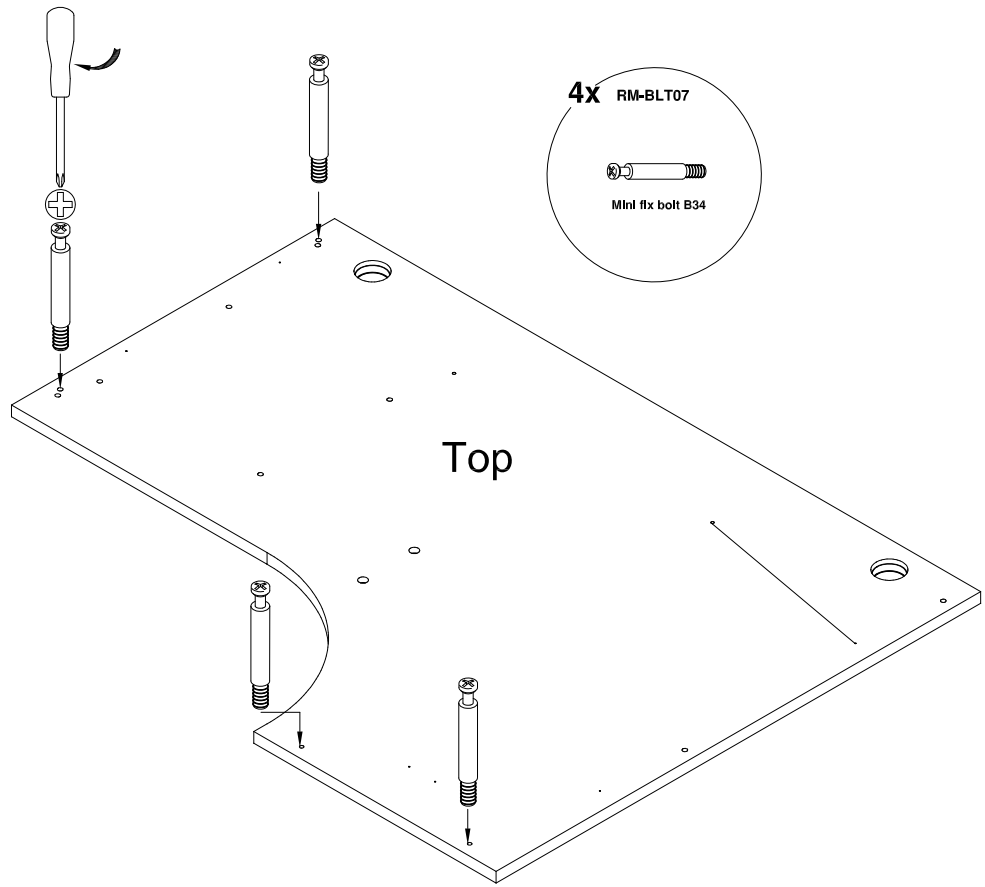
3

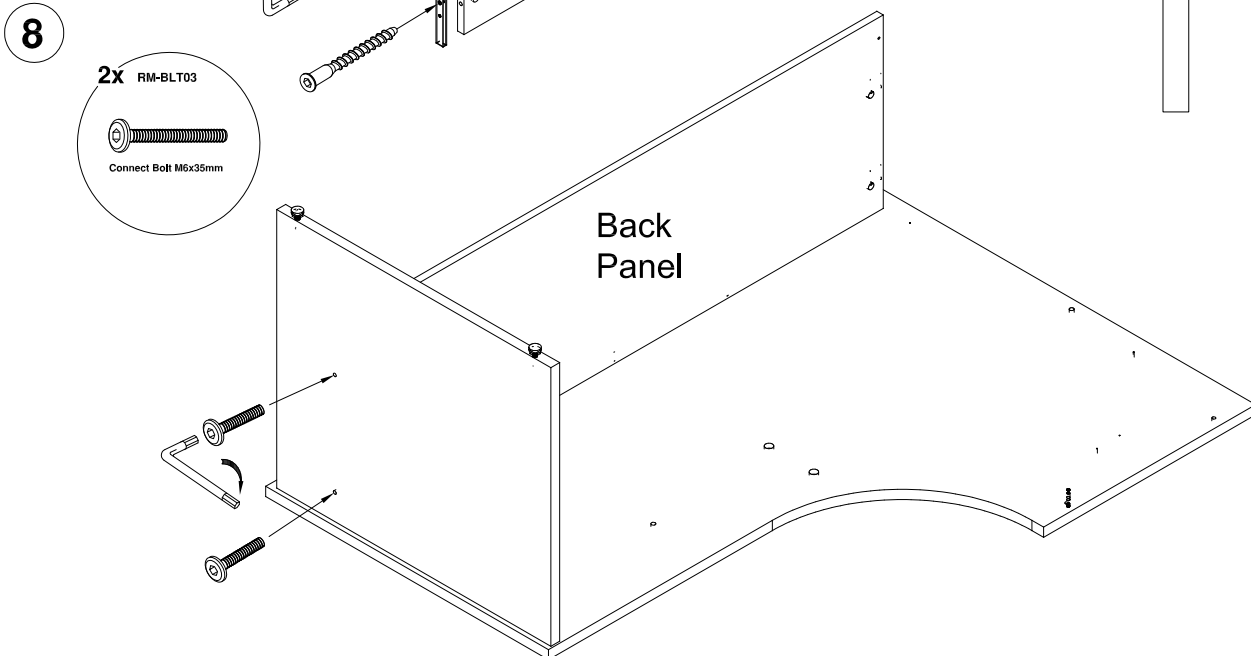
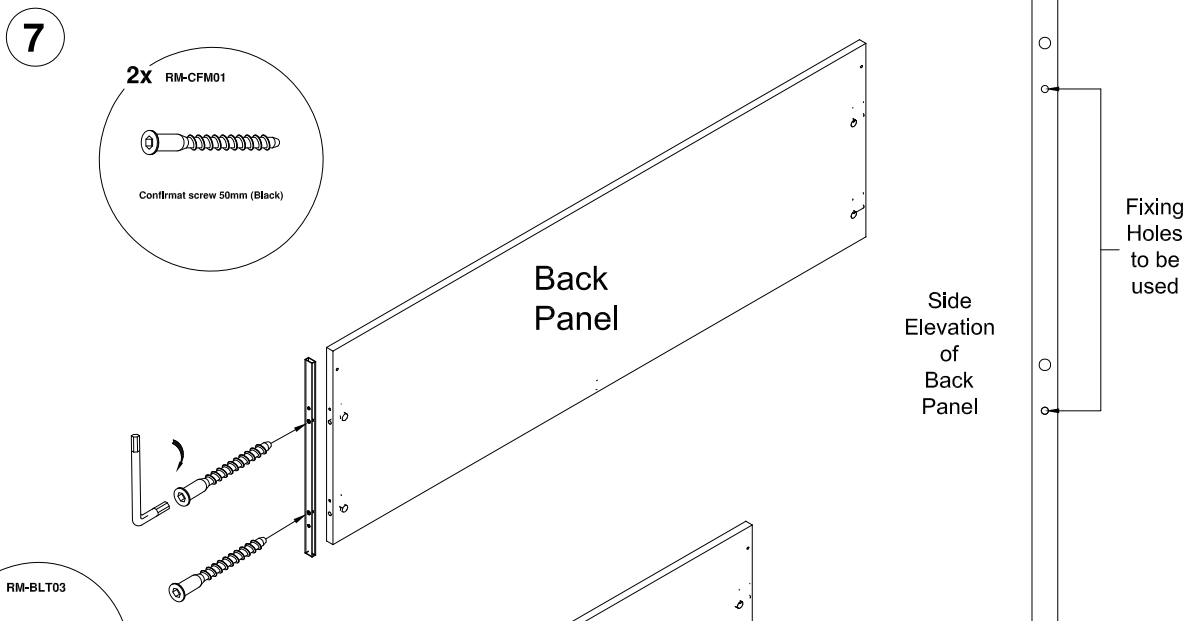
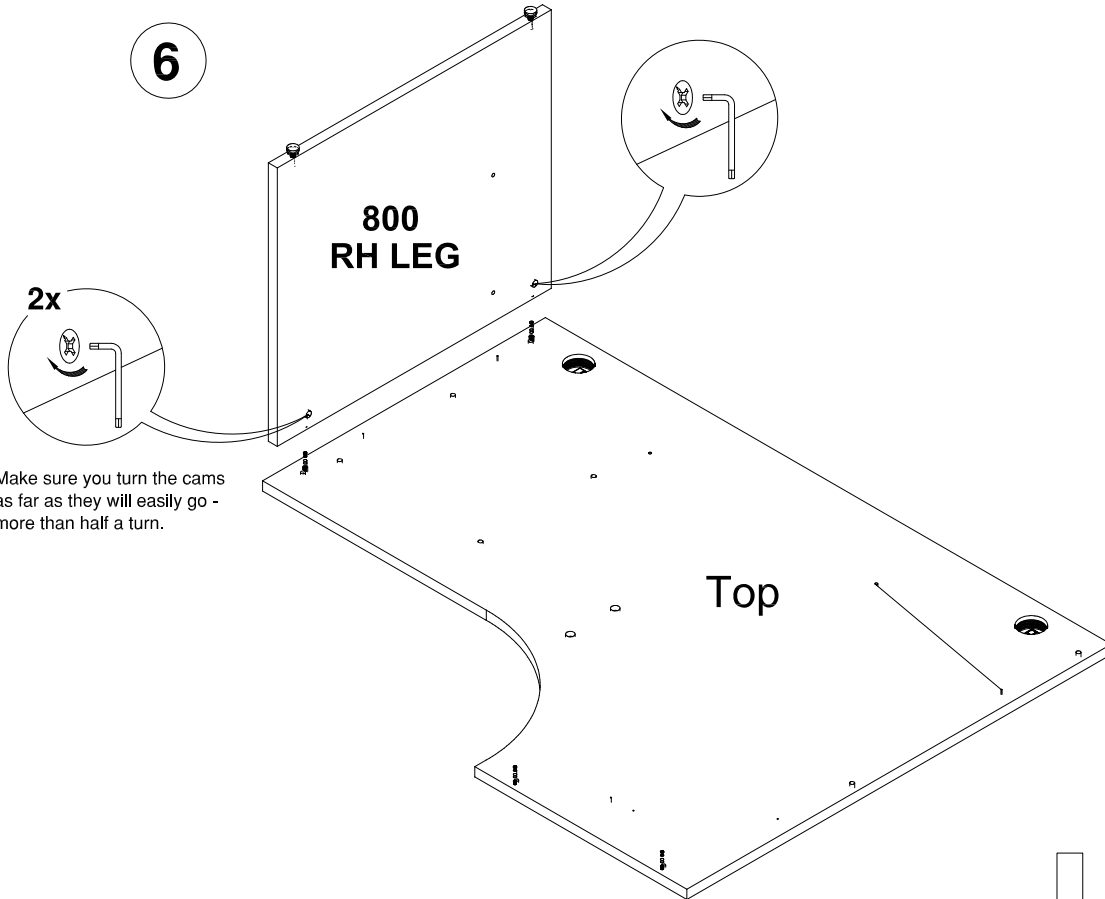


4

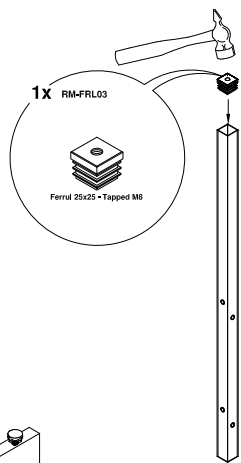


5

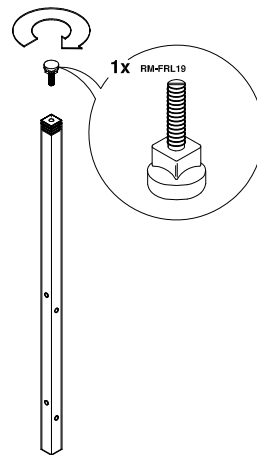




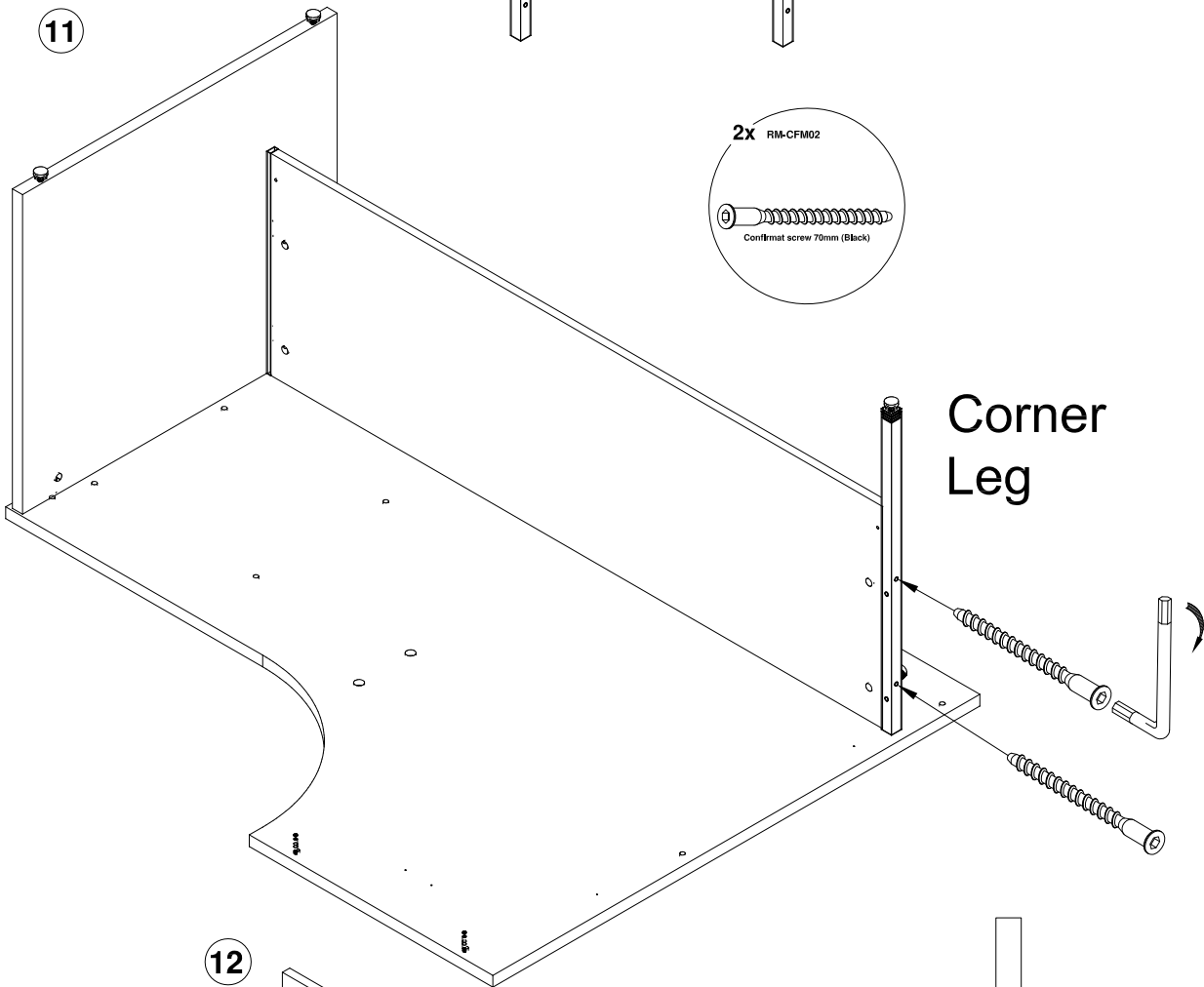
9



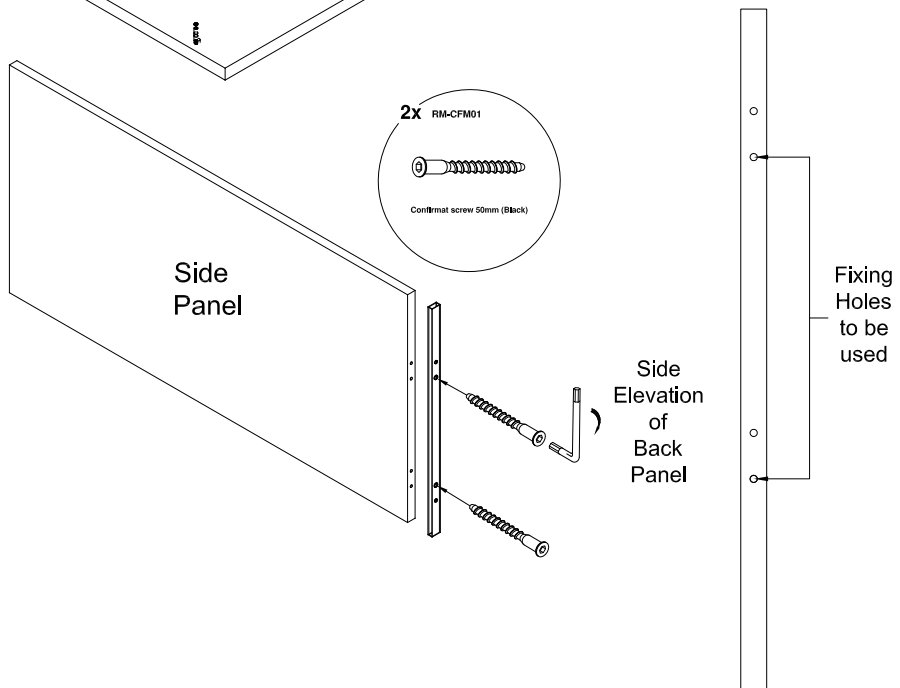
10



11



12



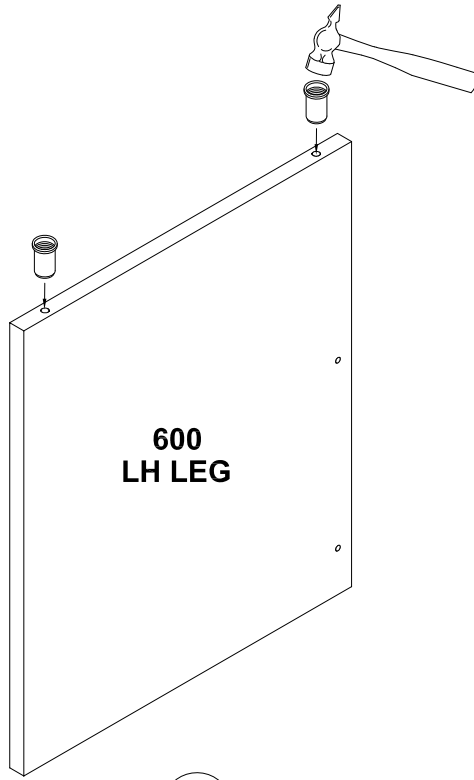


13

2X RM-NUT04

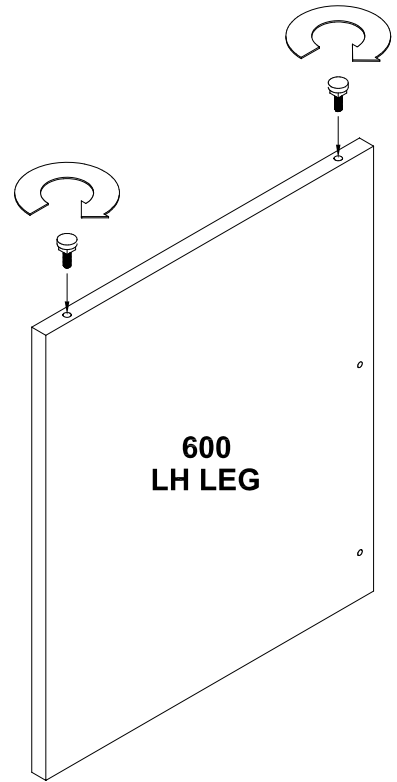
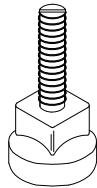


Gesipa M8 Blind Rivet Nut



14

2X RM-FRL19

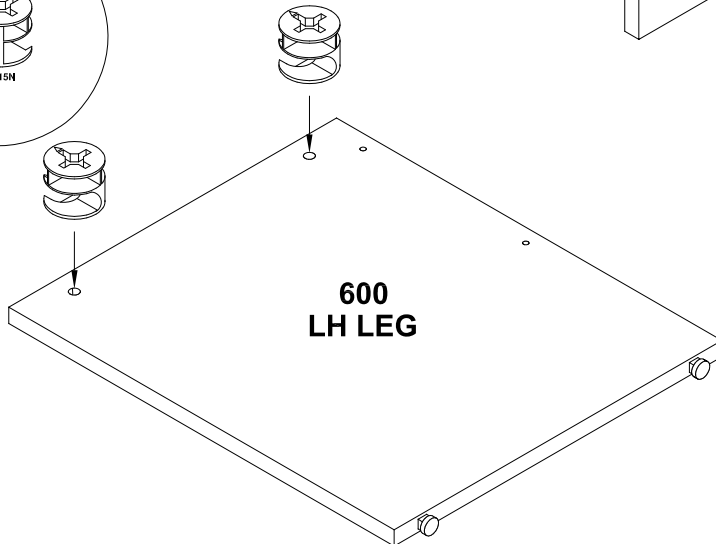


15

2X RM-CAM03



Cam 15H

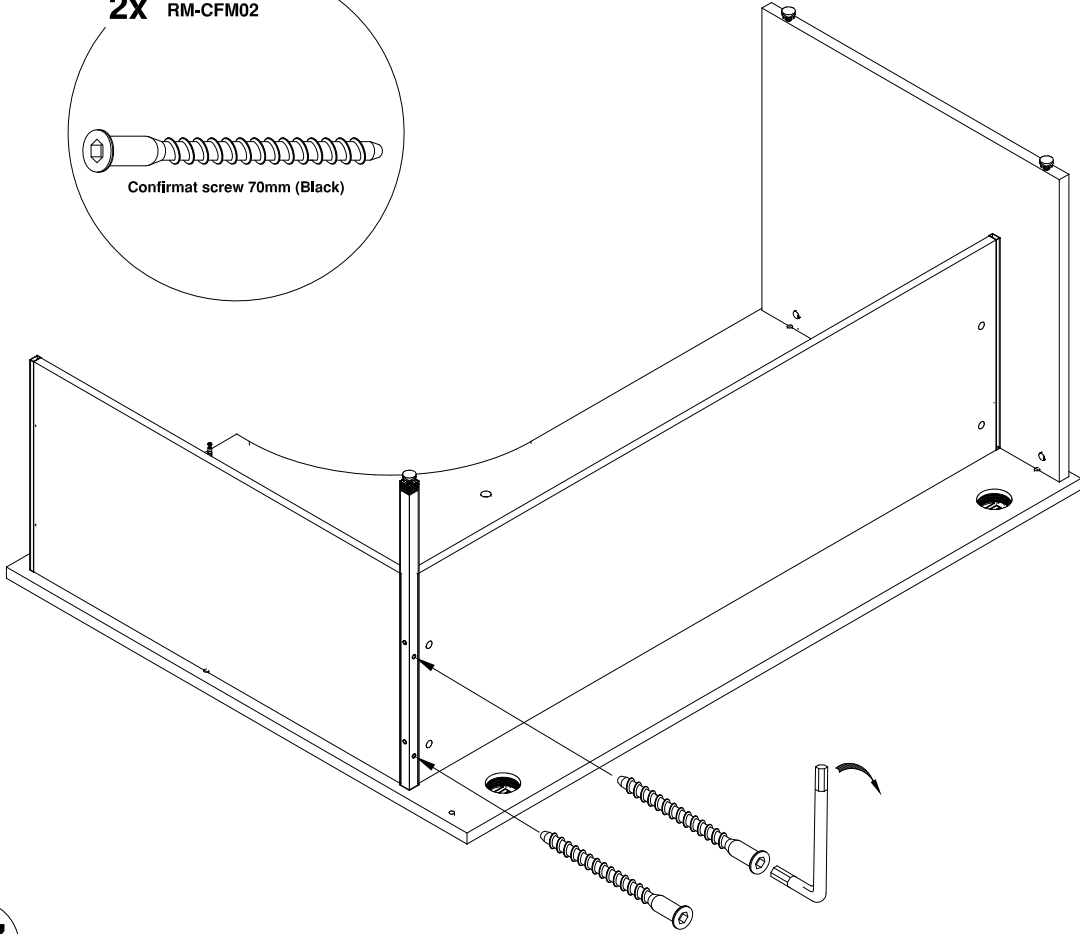


16

2x RM-CFM02

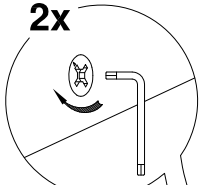


Confirmat screw 70mm (Black)

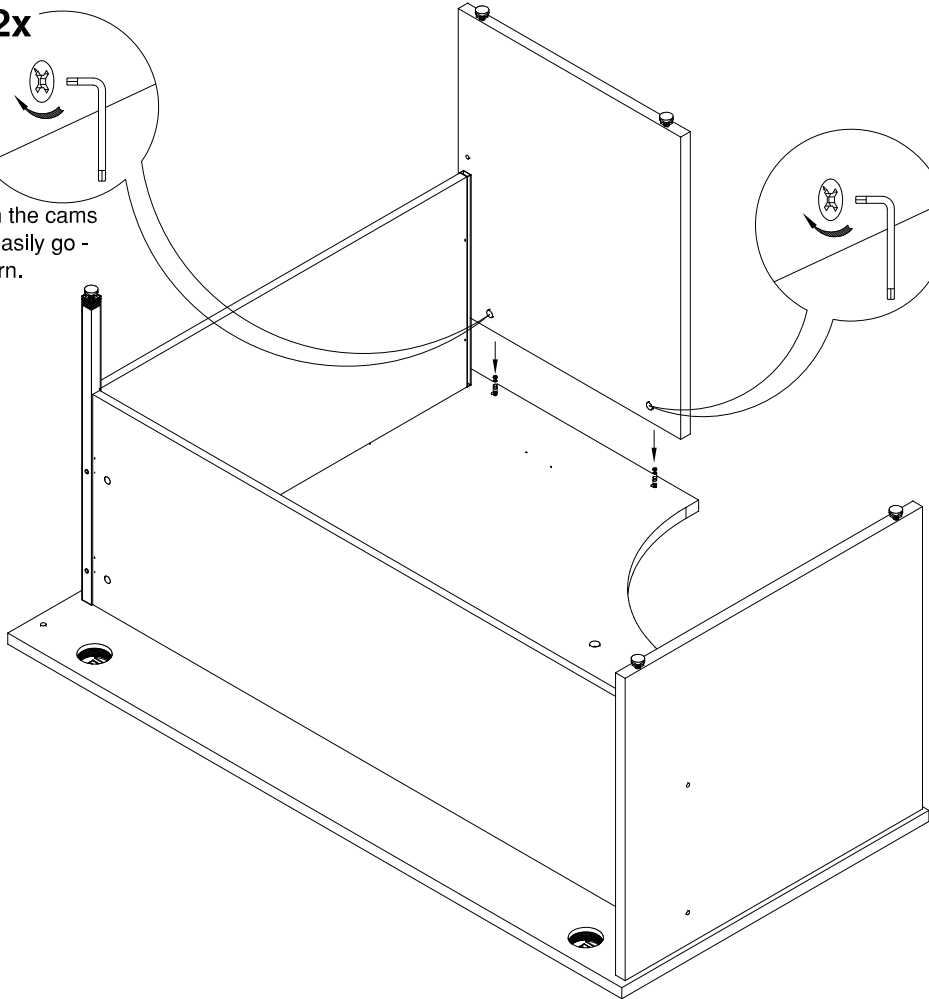
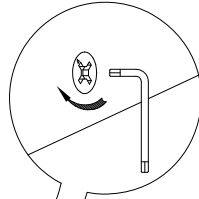


17

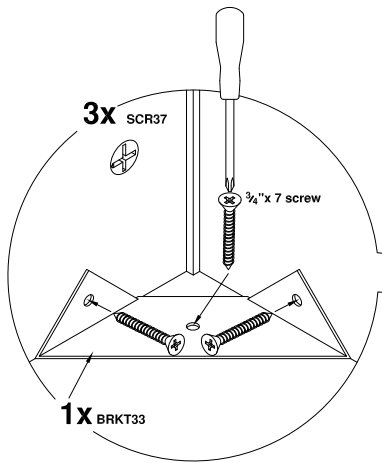
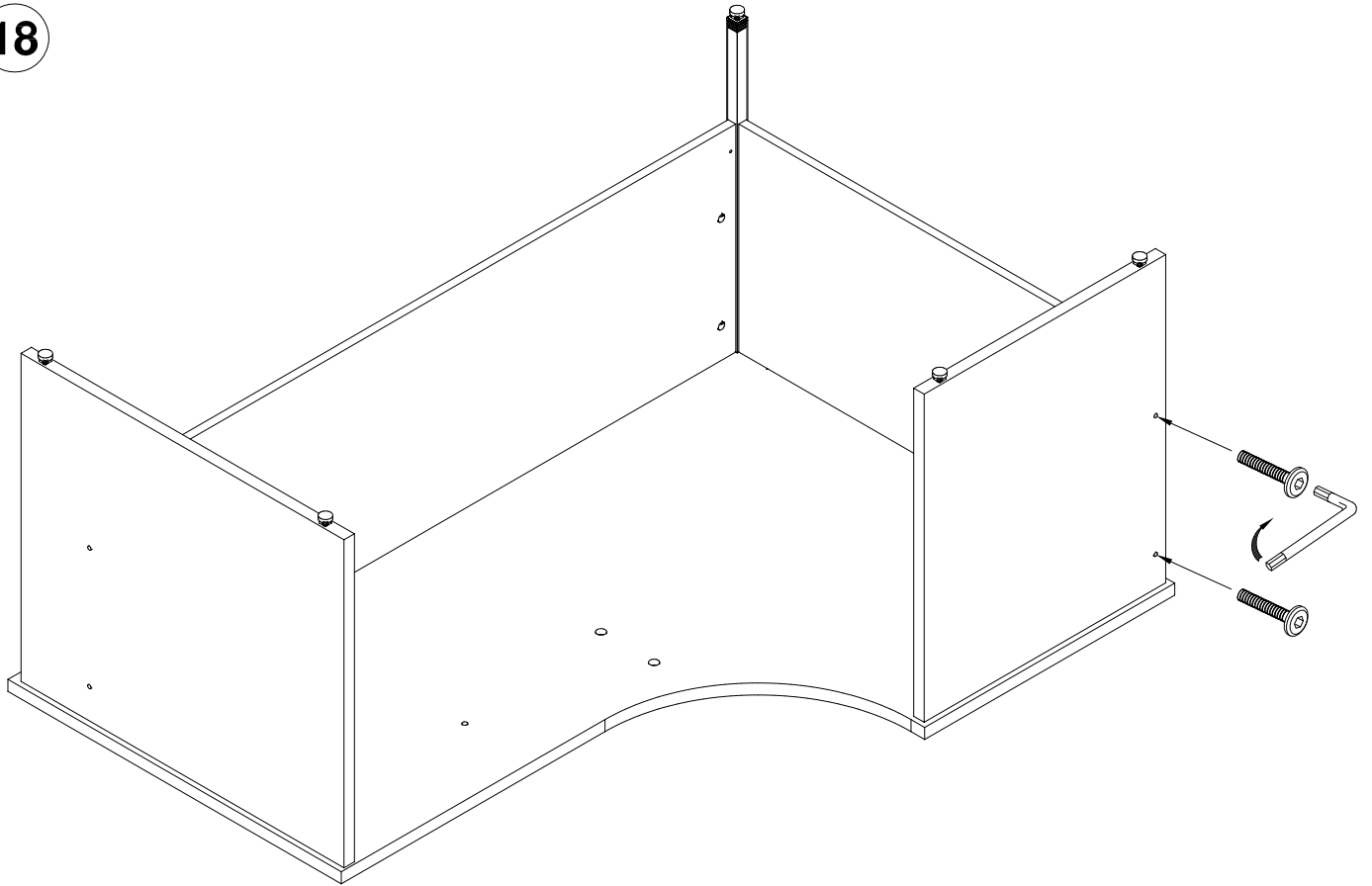
2x



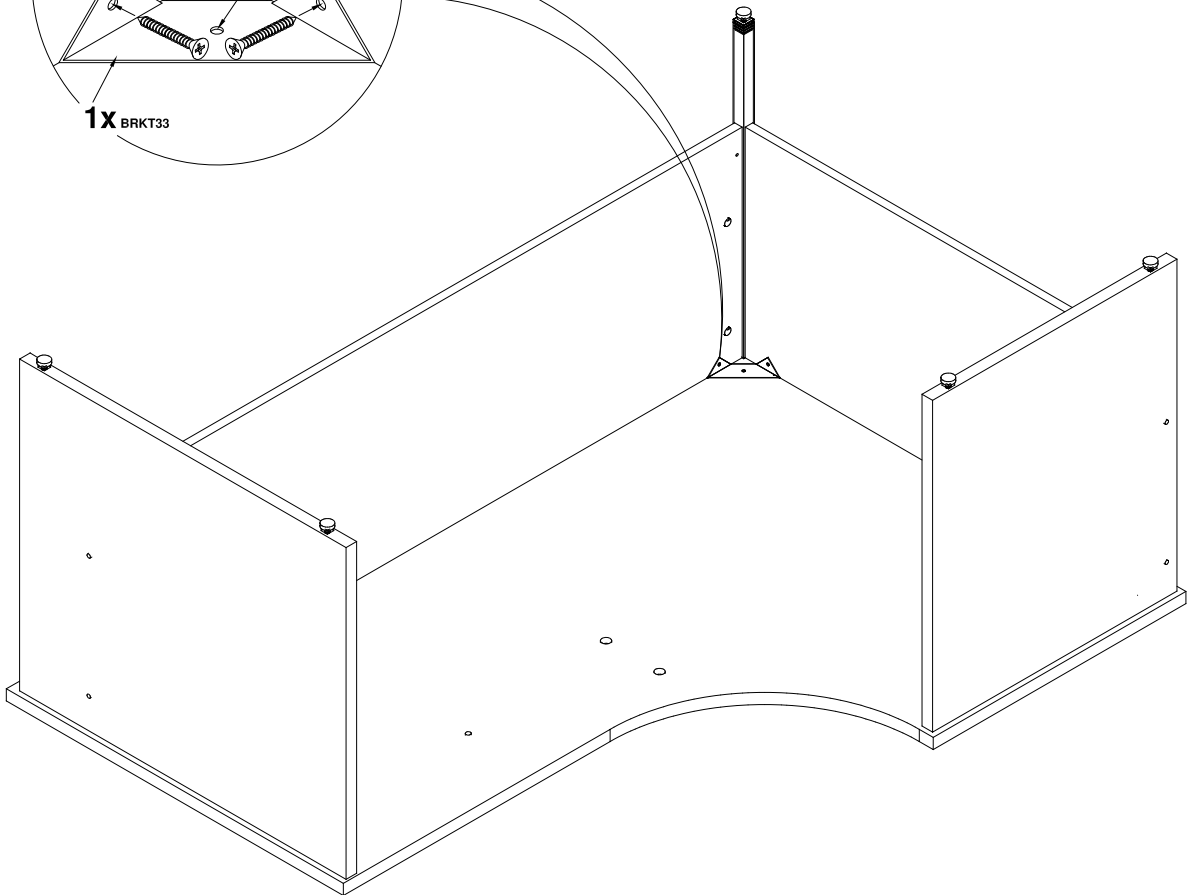
Make sure you turn the cams as far as they will easily go - more than half a turn.



18



19



20

