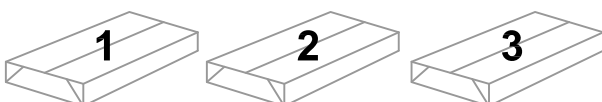
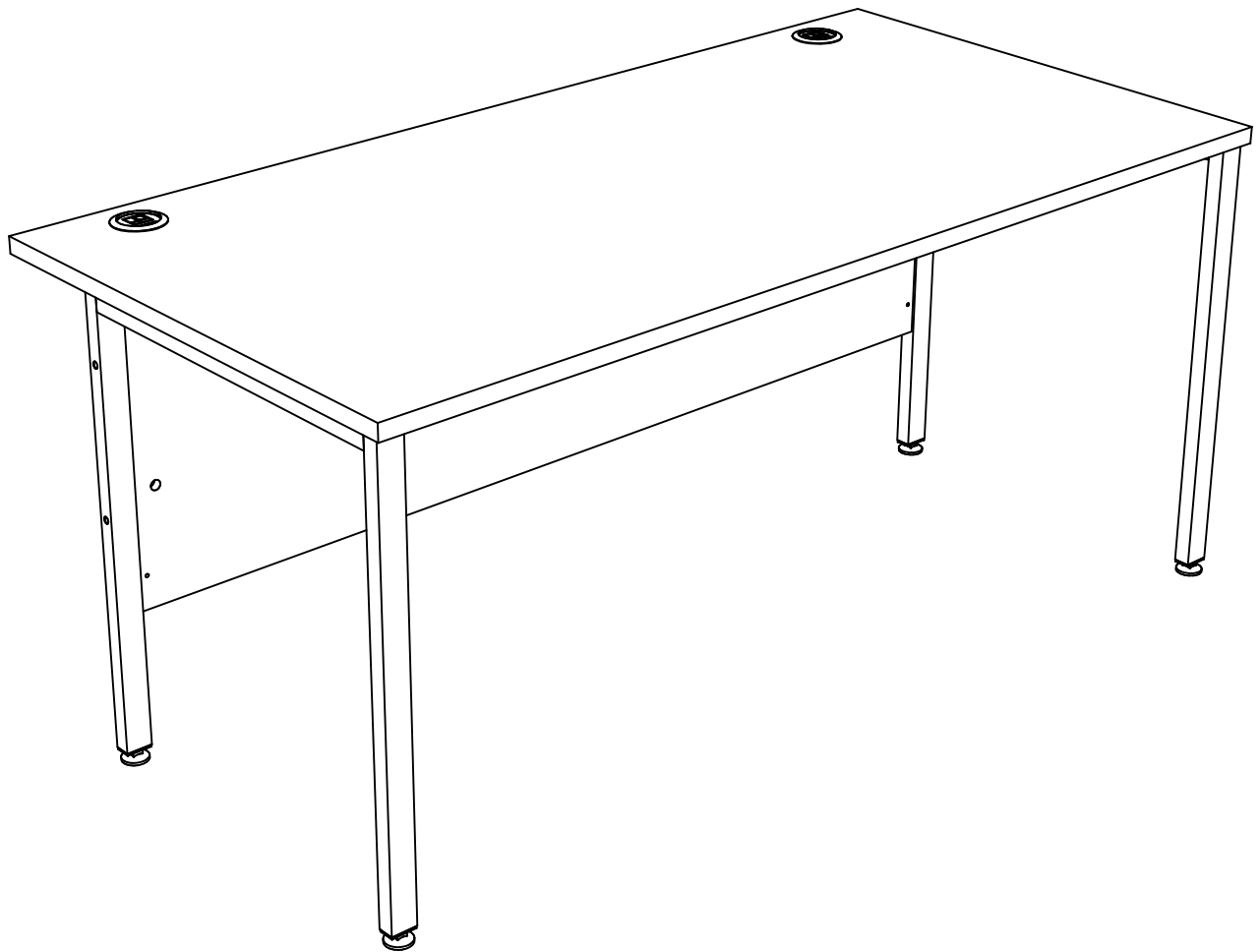
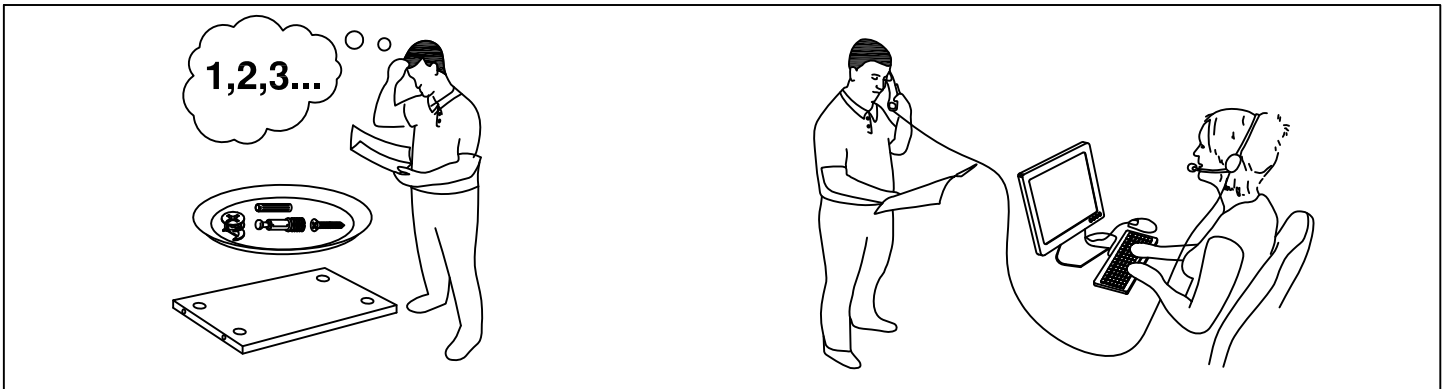
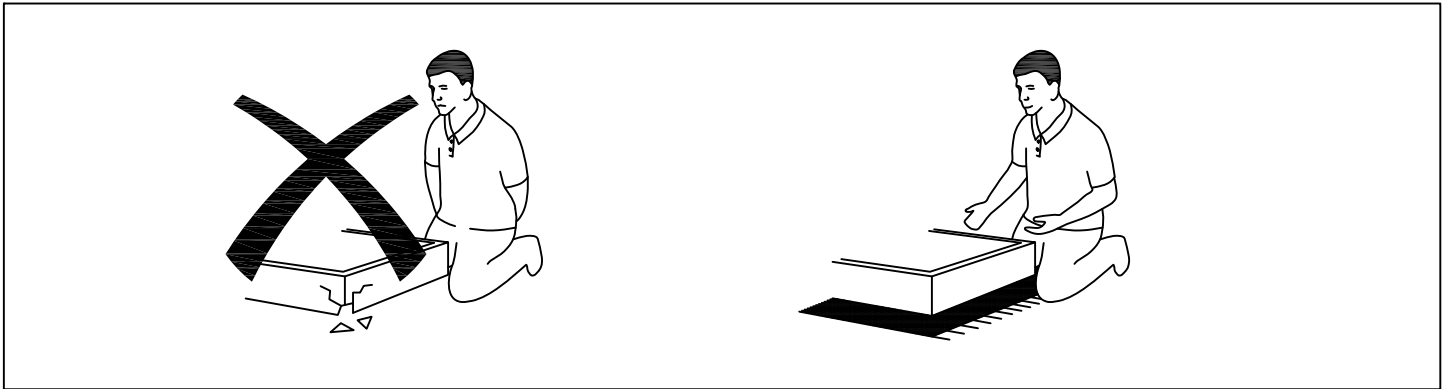
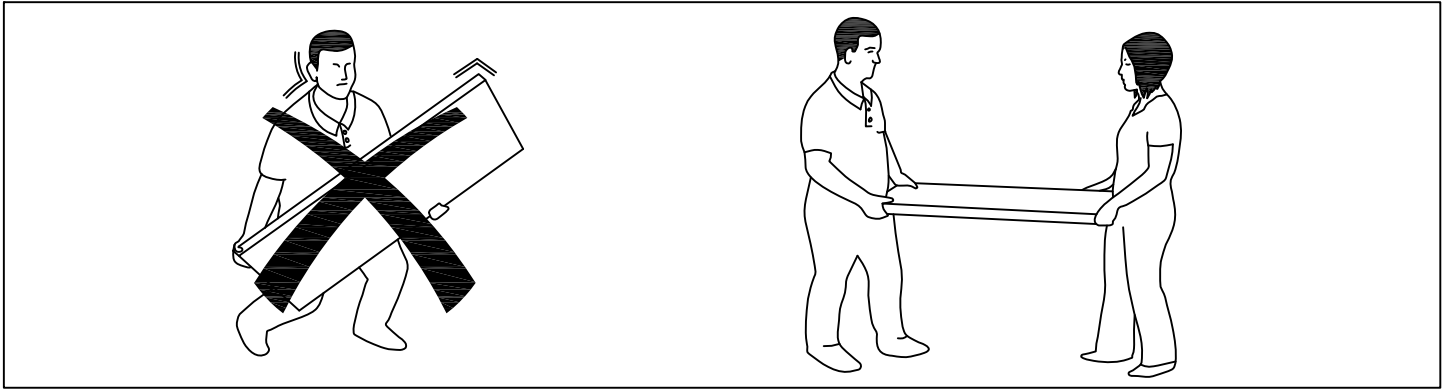
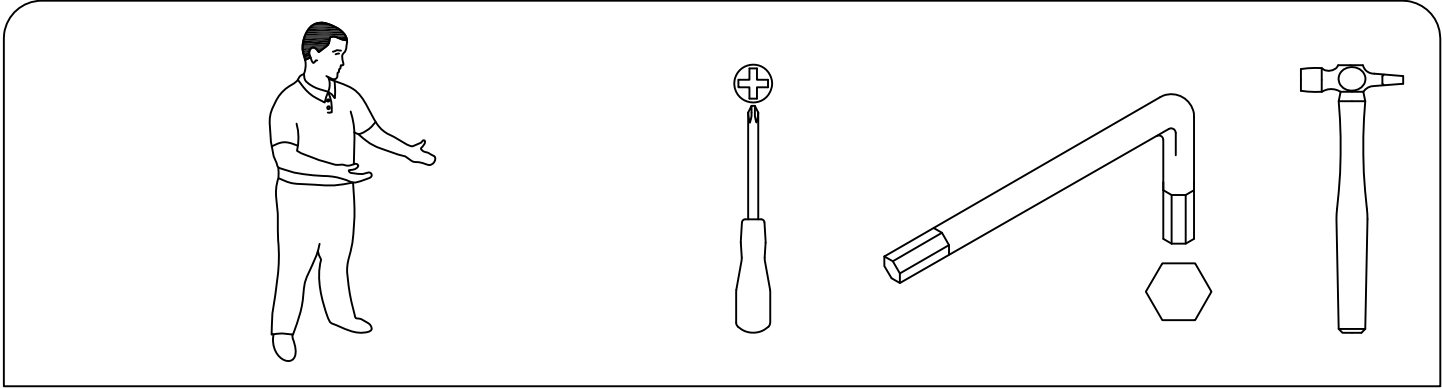


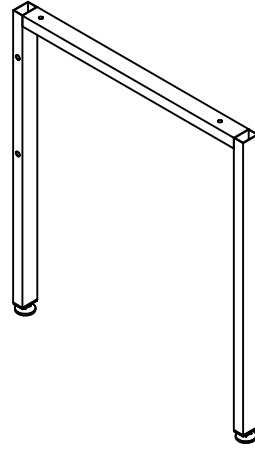
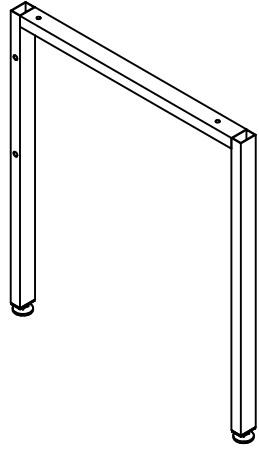
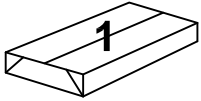
M25RS, M25RG Straight Desks





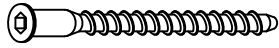


Please check that you have all the fittings



4

Confrimat screw 70mm
RM-CFM02 (Black)
or
RM-CFM04 (Zinc)



2

Connect Bolt M6x35mm
RM-BLT03



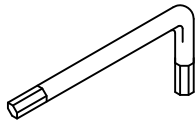
2

1 1/2" x 10 screw
RM-SCR69



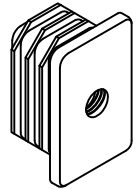
1

4mm Allen key
RM-ALK01



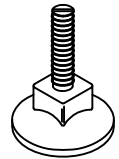
4

Ferrul 40x25
M8 Thread
RM-FRL27



4

Adjustable Foot Dia 38mm
RM-FRL20



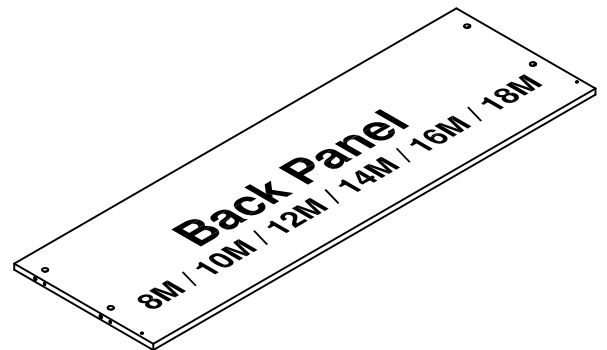
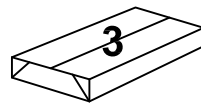
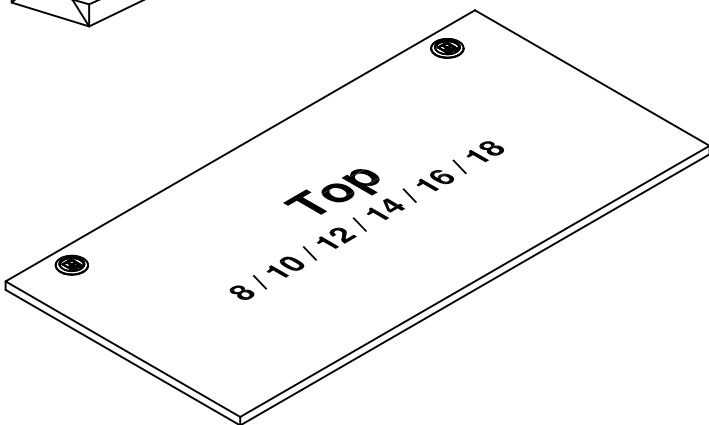
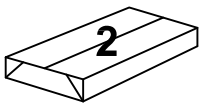
2

Nylon Socket M6x10
RM-PAR05



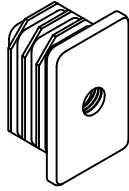
4

15mm Cover Cap
RM-CAP15 (Graphite)
or
RM-CAP16 (Silver)



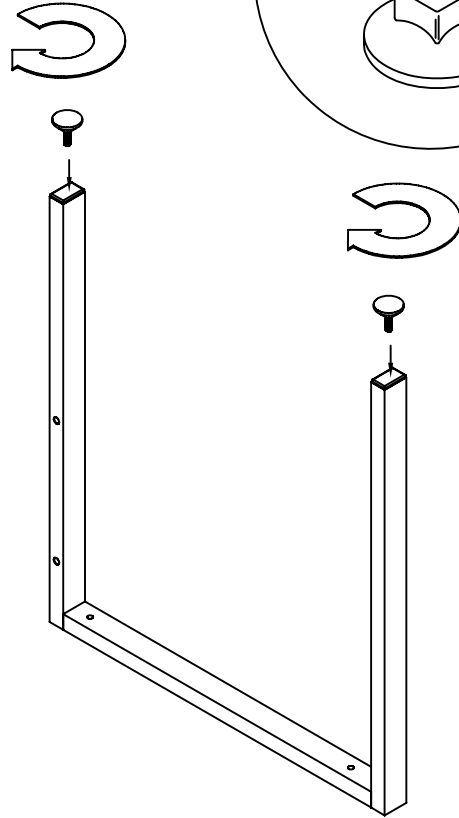
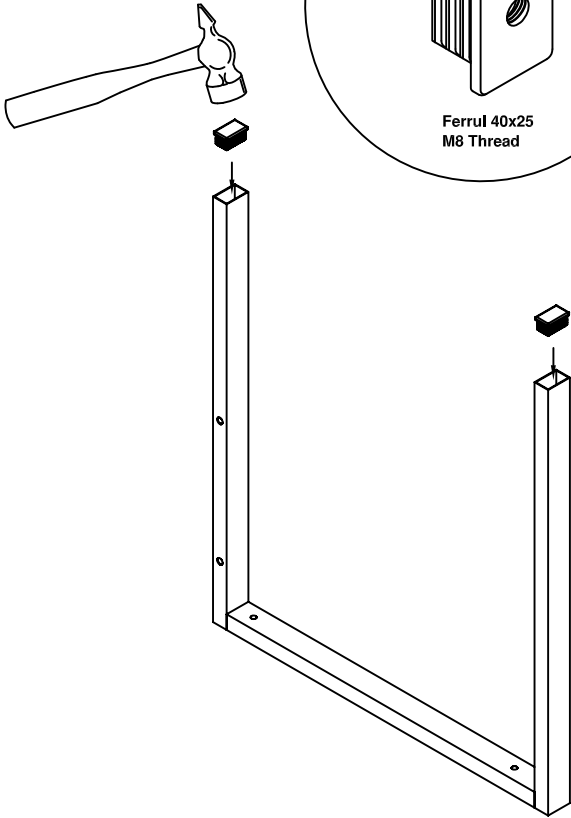
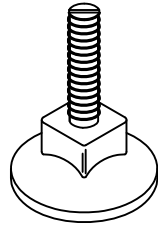
1

4x RM-FRL27



Ferrul 40x25
M8 Thread

4x RM-FRL20

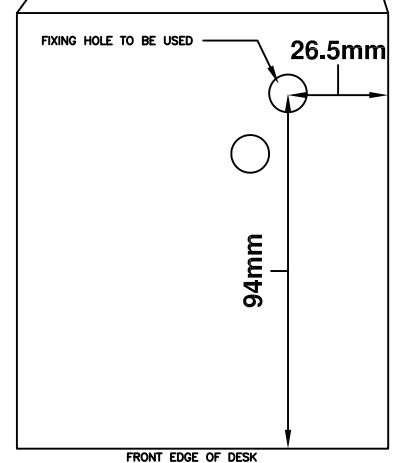
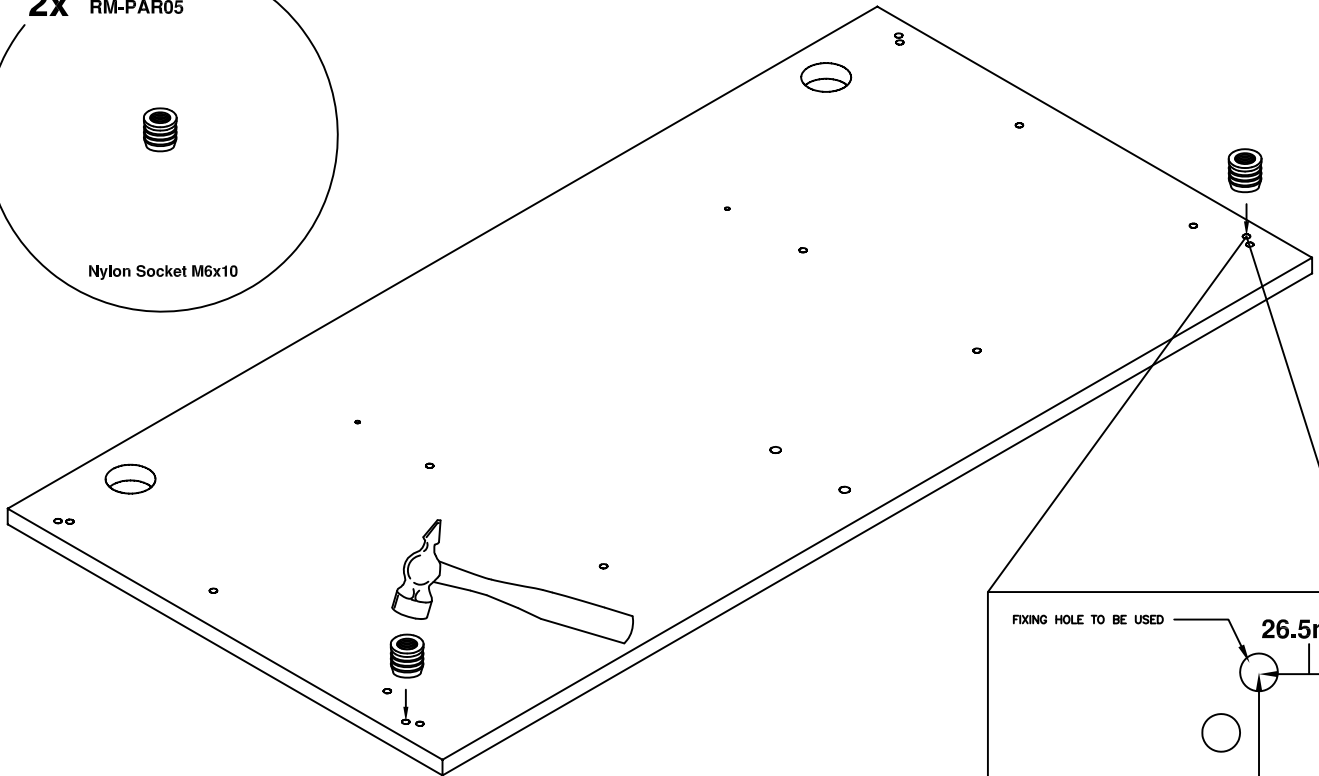


2

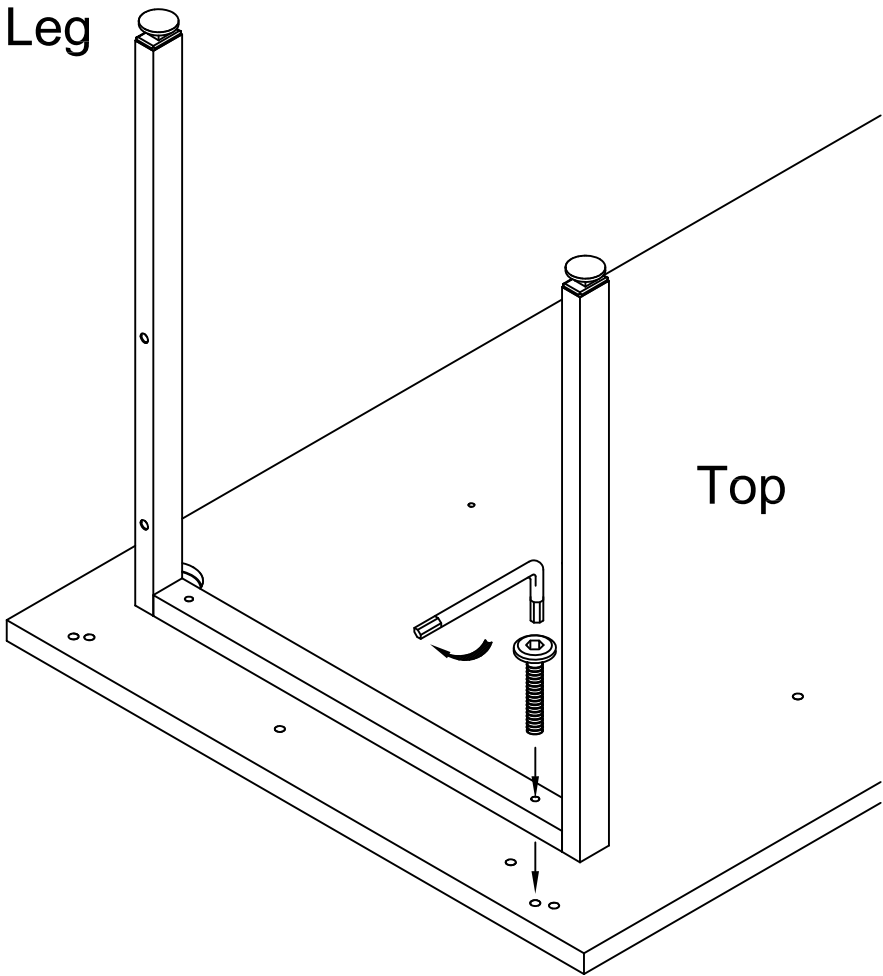
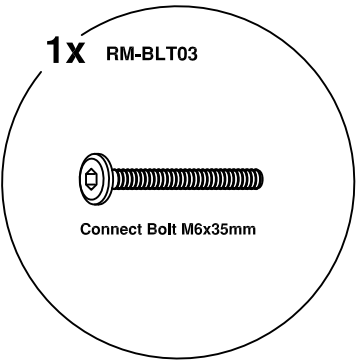
2x RM-PAR05



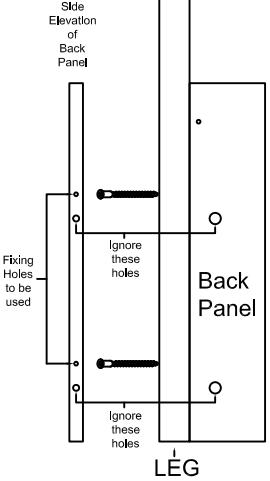
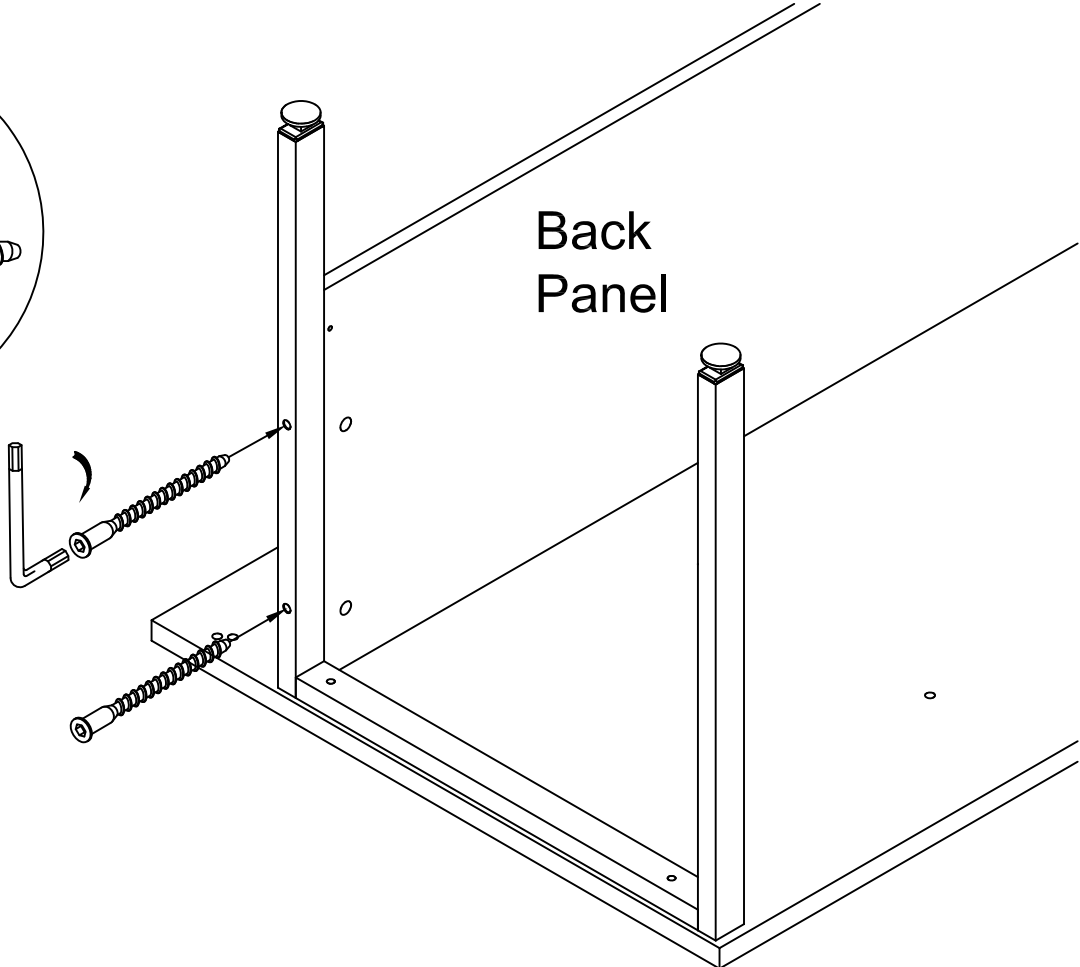
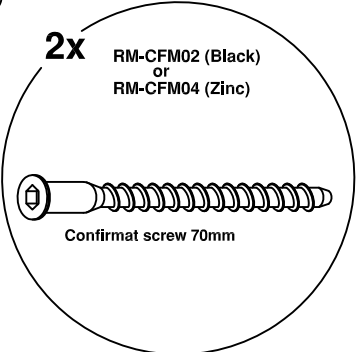
Nylon Socket M6x10



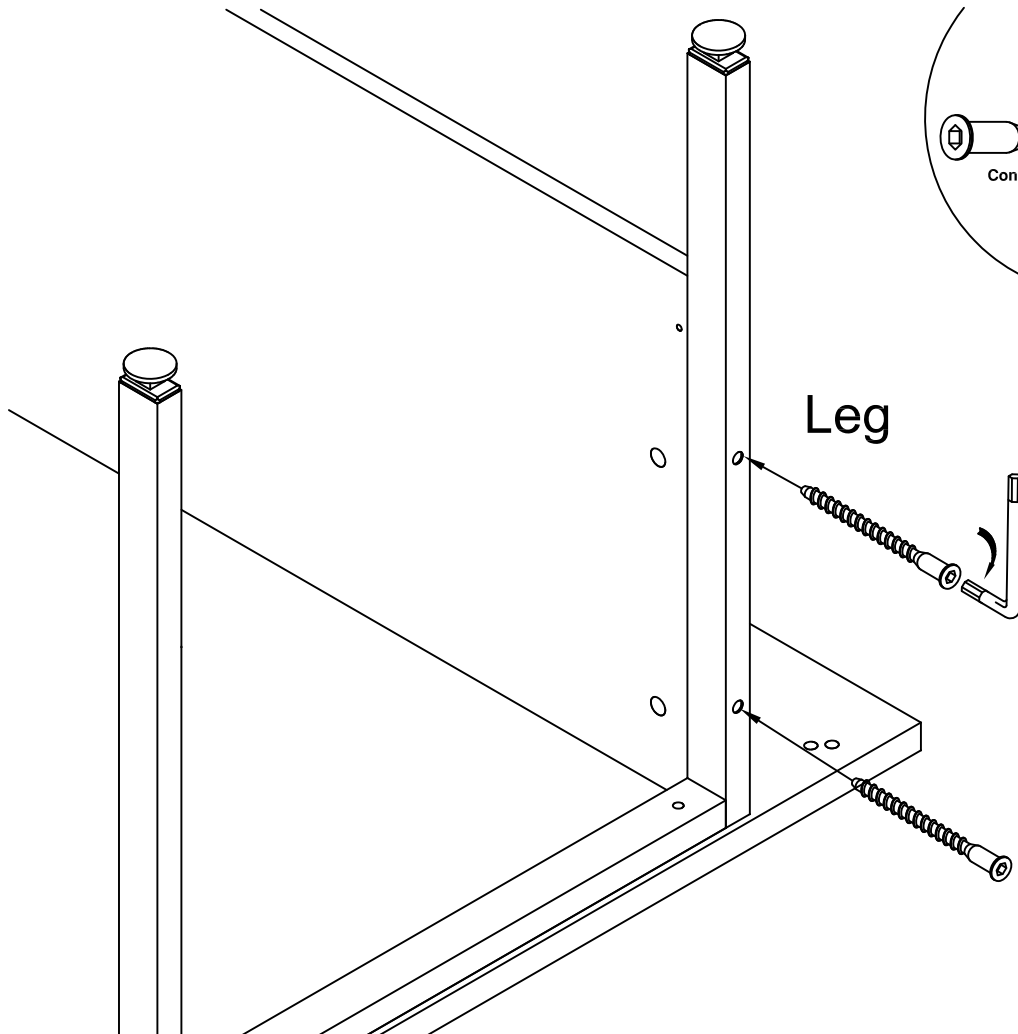
3



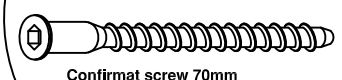
4



5

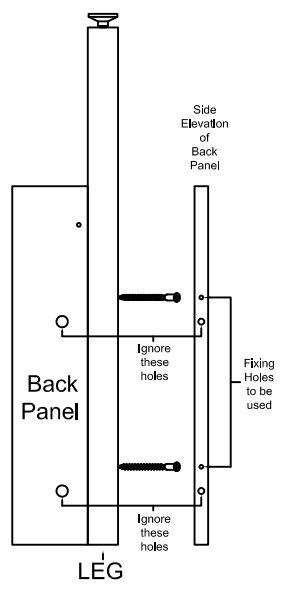


2x RM-CFM02 (Black)
or
RM-CFM04 (Zinc)

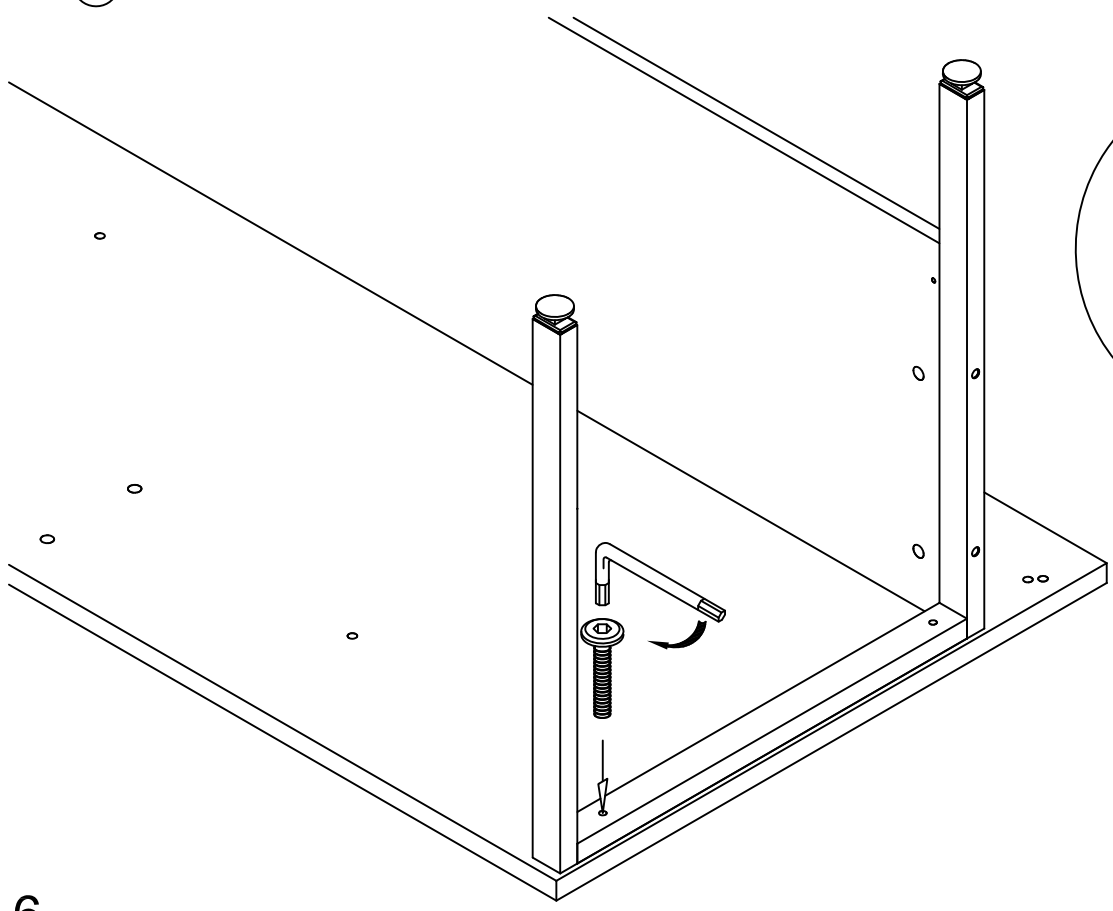


Confirmat screw 70mm

Leg



6



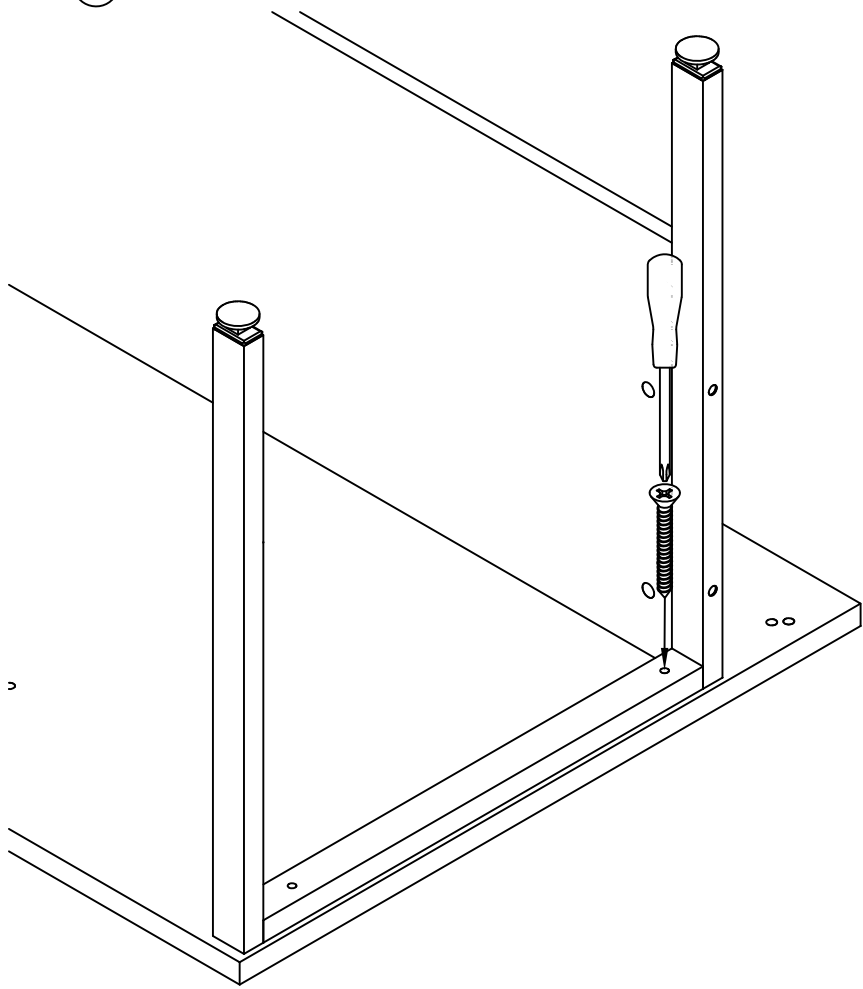
1x RM-BLT03



Connect Bolt M6x35mm

6

7



1x RM-SCR69



1 1/2" x 10 screw

PLEASE NOTE:
THESE SCREWS ARE SELF TAPPING WOOD SCREWS
THERE ARE NO PRE DRILLED HOLES FOR THEM

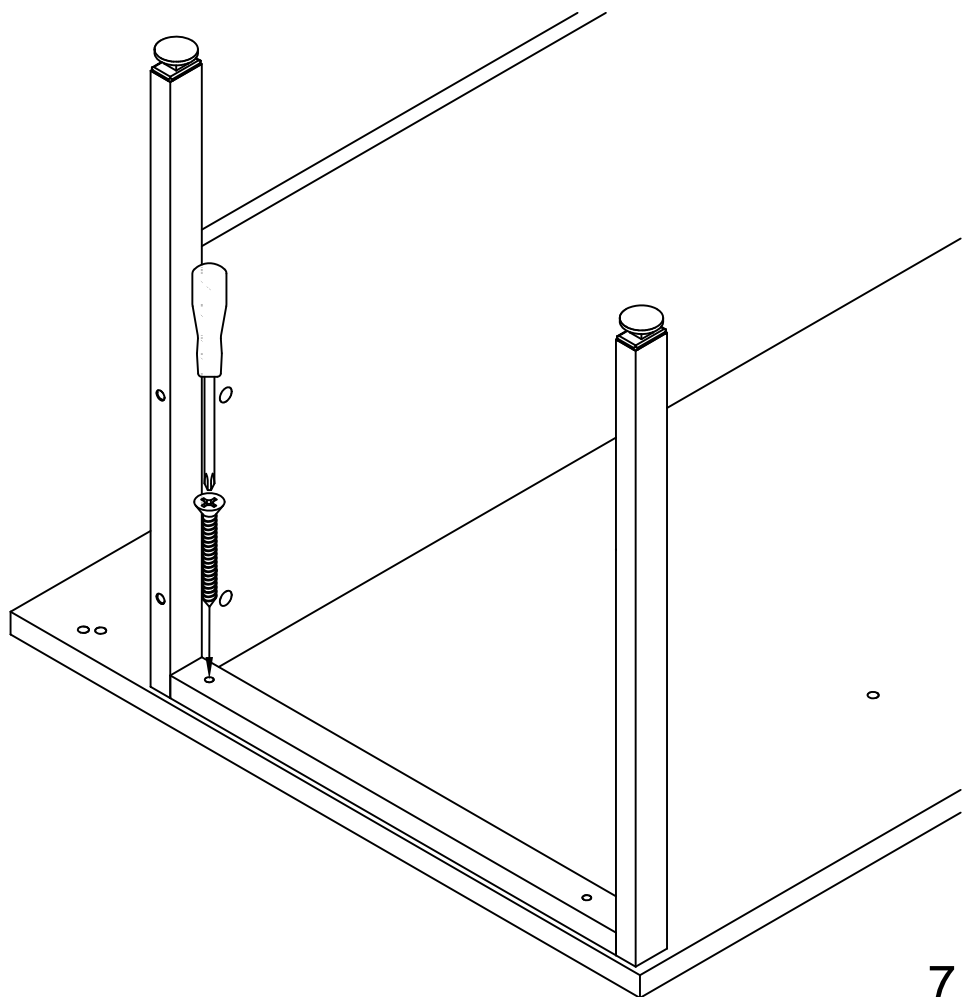
8

1x RM-SCR69



1 1/2" x 10 screw

PLEASE NOTE:
THESE SCREWS ARE SELF TAPPING WOOD SCREWS
THERE ARE NO PRE DRILLED HOLES FOR THEM



9

4x RM-CAP15 (Graphite)
or
RM-CAP16 (Silver)



15mm Cover Cap

