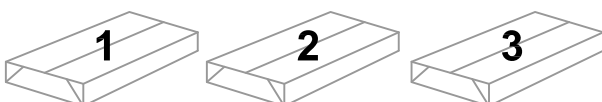
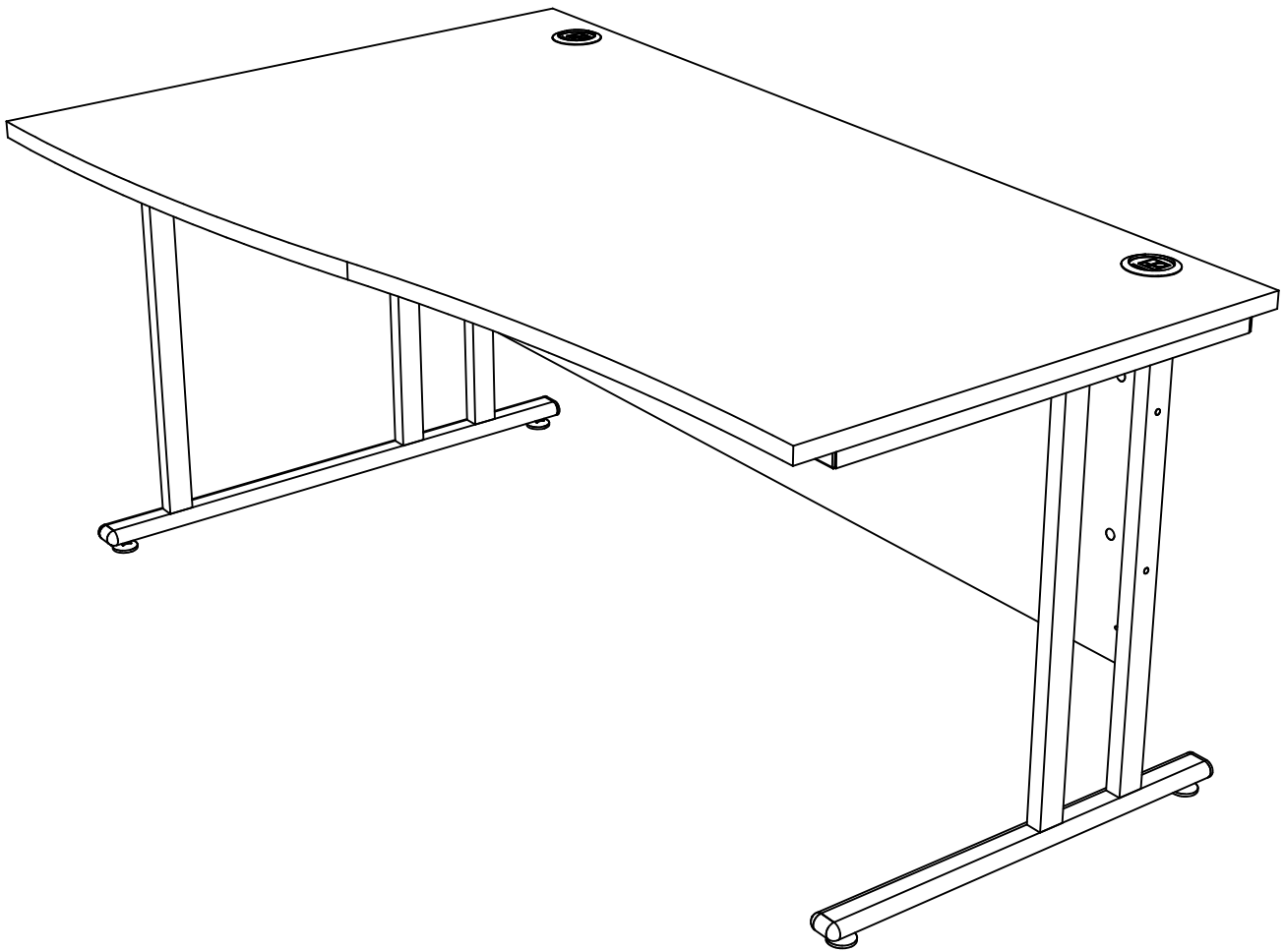
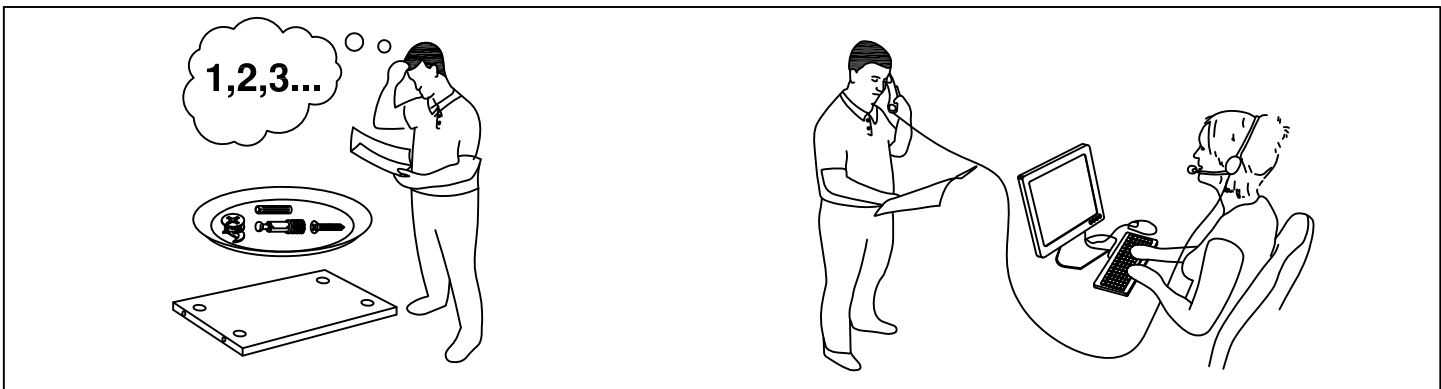
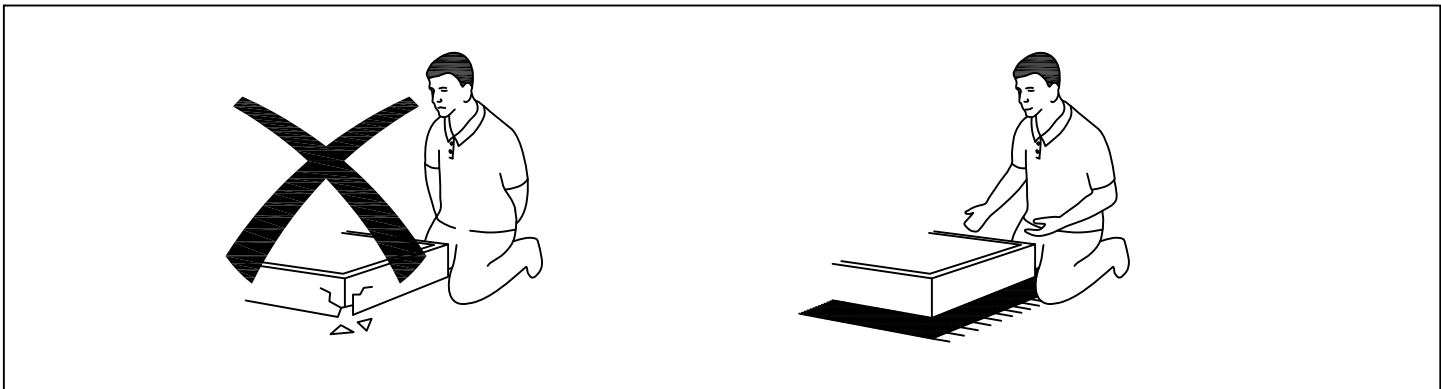
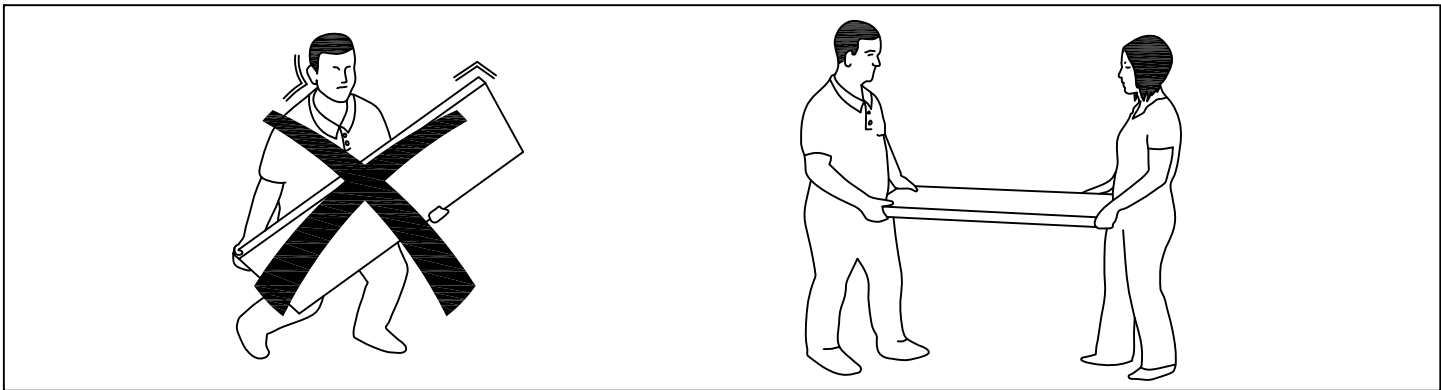
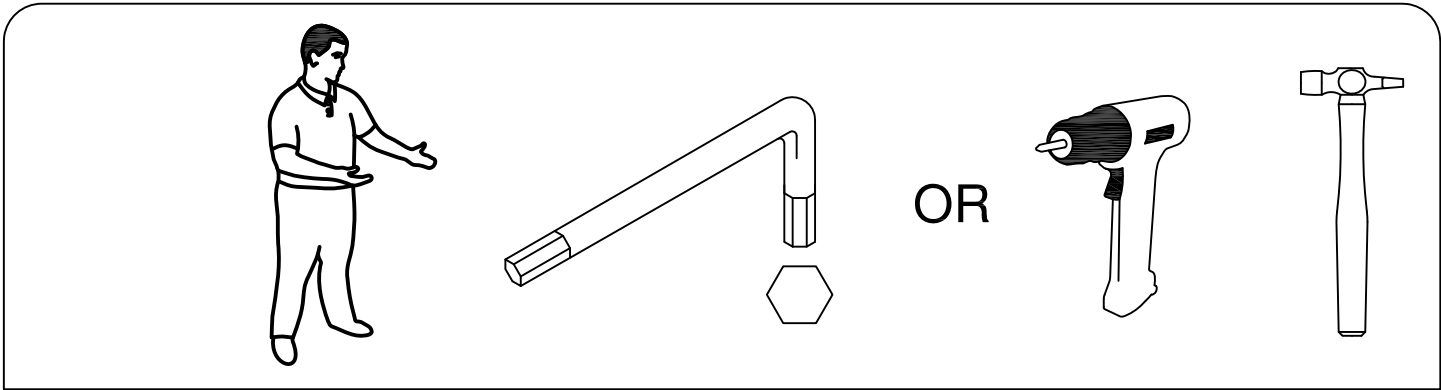


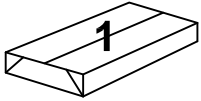
M25WLG, M25WLS LH Wave Desks







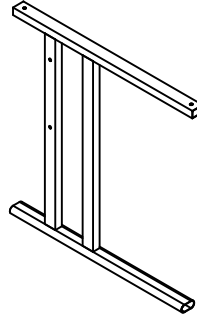
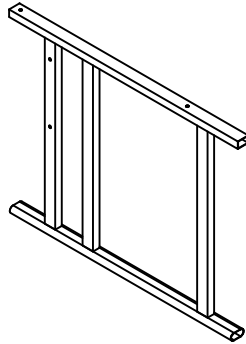
Please check that you have all the fittings



GREY **990 LH Wave Leg**

OR

SILVER **990 LH Wave Leg**

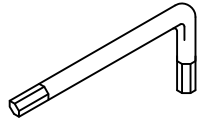


GREY **M25G_800 RH Leg**

OR

SILVER **M25S_800 RH Leg**

1 4mm Allen key
RM-ALK01



4 Nylon M6x10 Socket
RM-PAR05



4 Confirmat screw 70mm
RM-CFM02 (Black)
or
RM-CFM04 (Zinc)



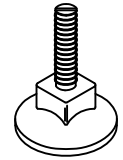
4 Connect Bolt M6x35mm
RM-BLT03



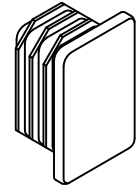
4 15mm Cover Cap
RM-CAP15 (Graphite)
or
RM-CAP16 (Silver)



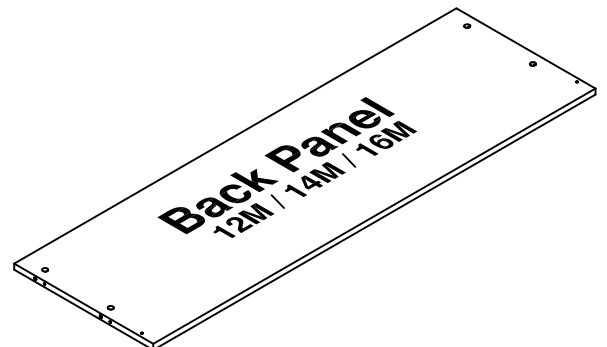
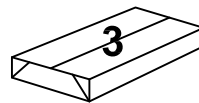
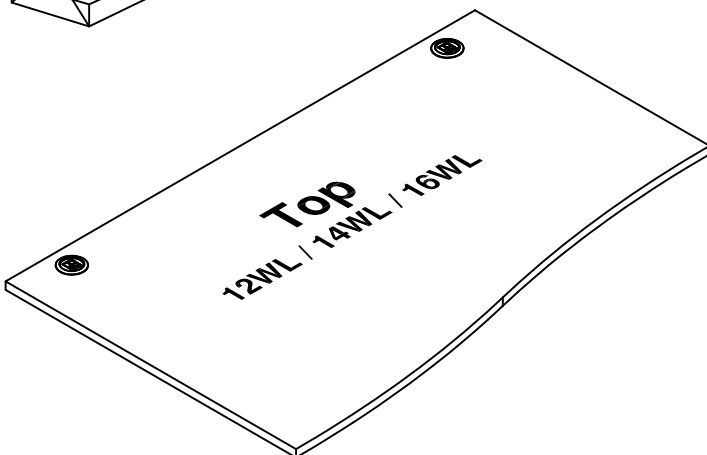
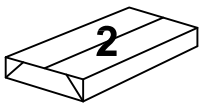
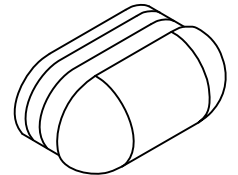
4 Adjustable Foot Dia 38mm
RM-FRL20



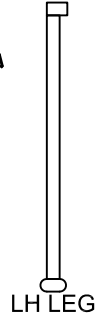
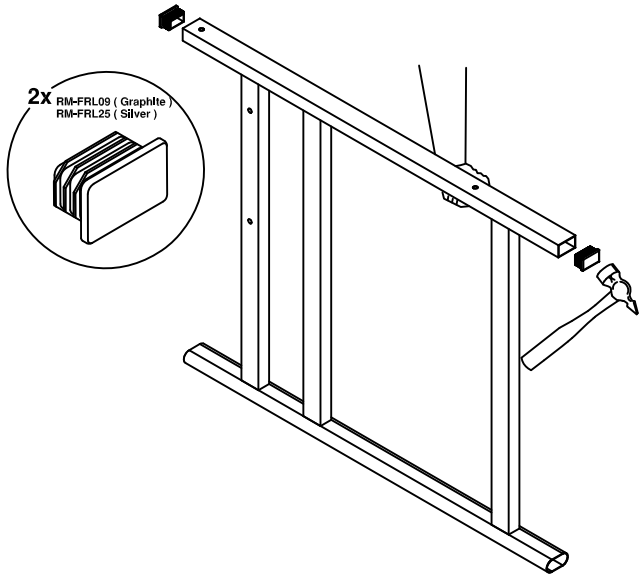
4 Ferrul 40x25
RM-FRL09 (Graphite)
or
RM-FRL25 (Silver)



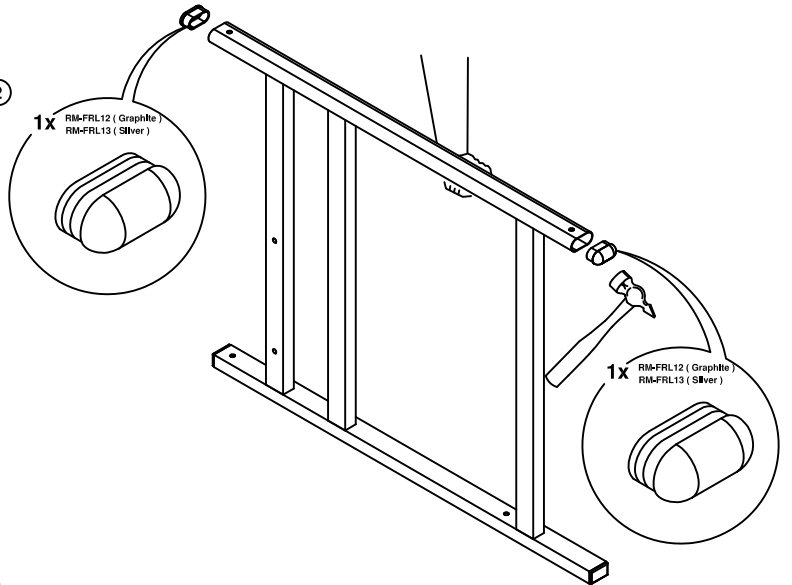
4 Ferrul 50x25 - FSO RIB DOMED GREY
RM-FRL12 (Graphite)
or
RM-FRL13 (Silver)



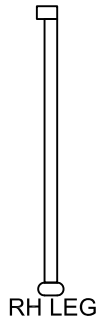
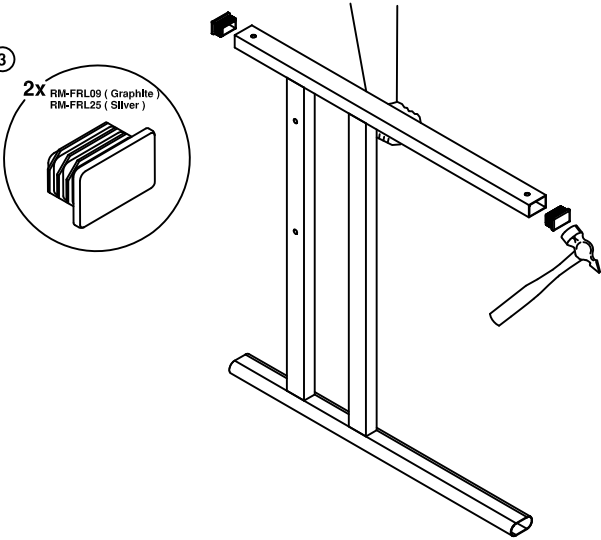
1



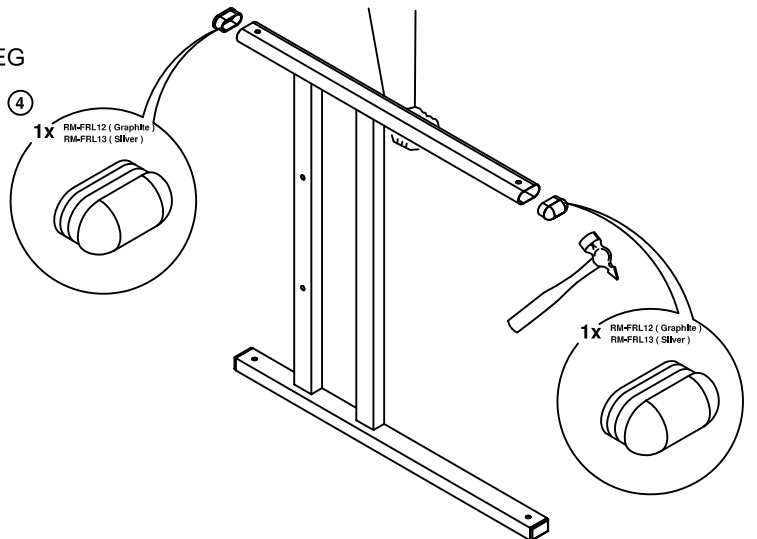
2



3

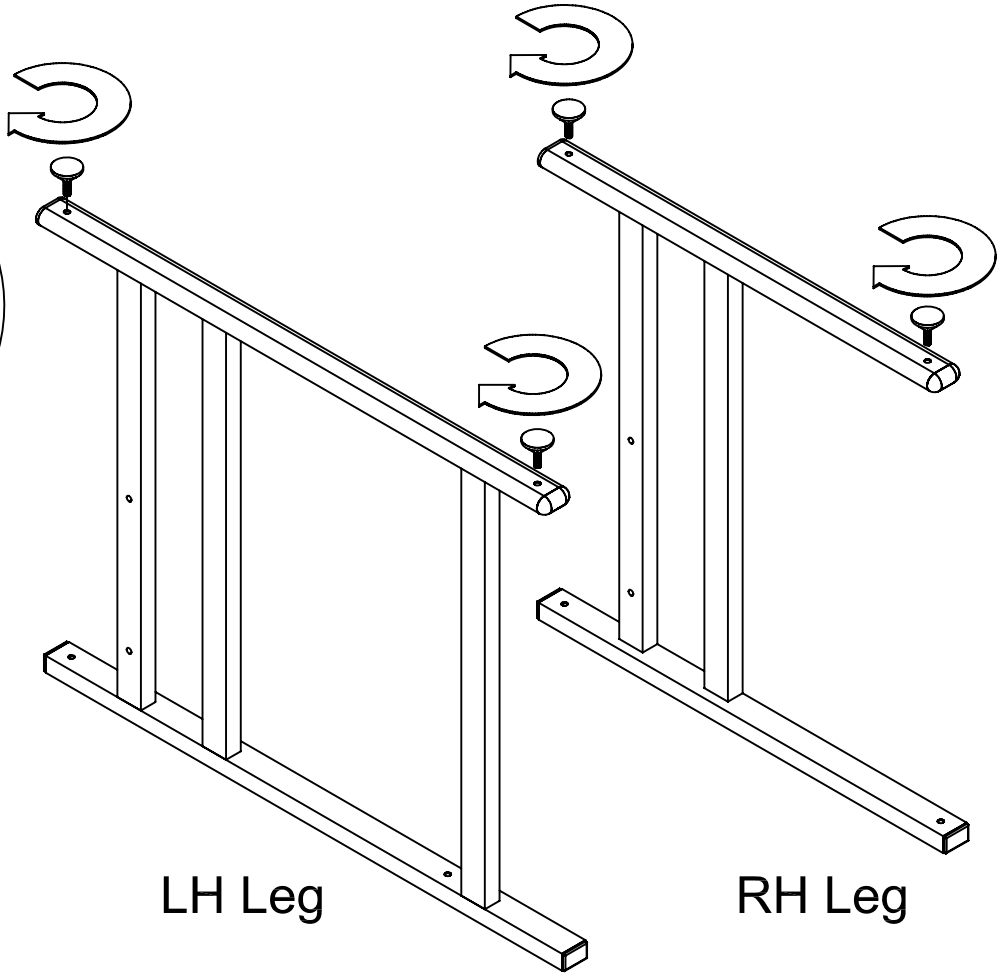
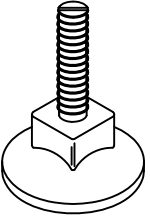


4



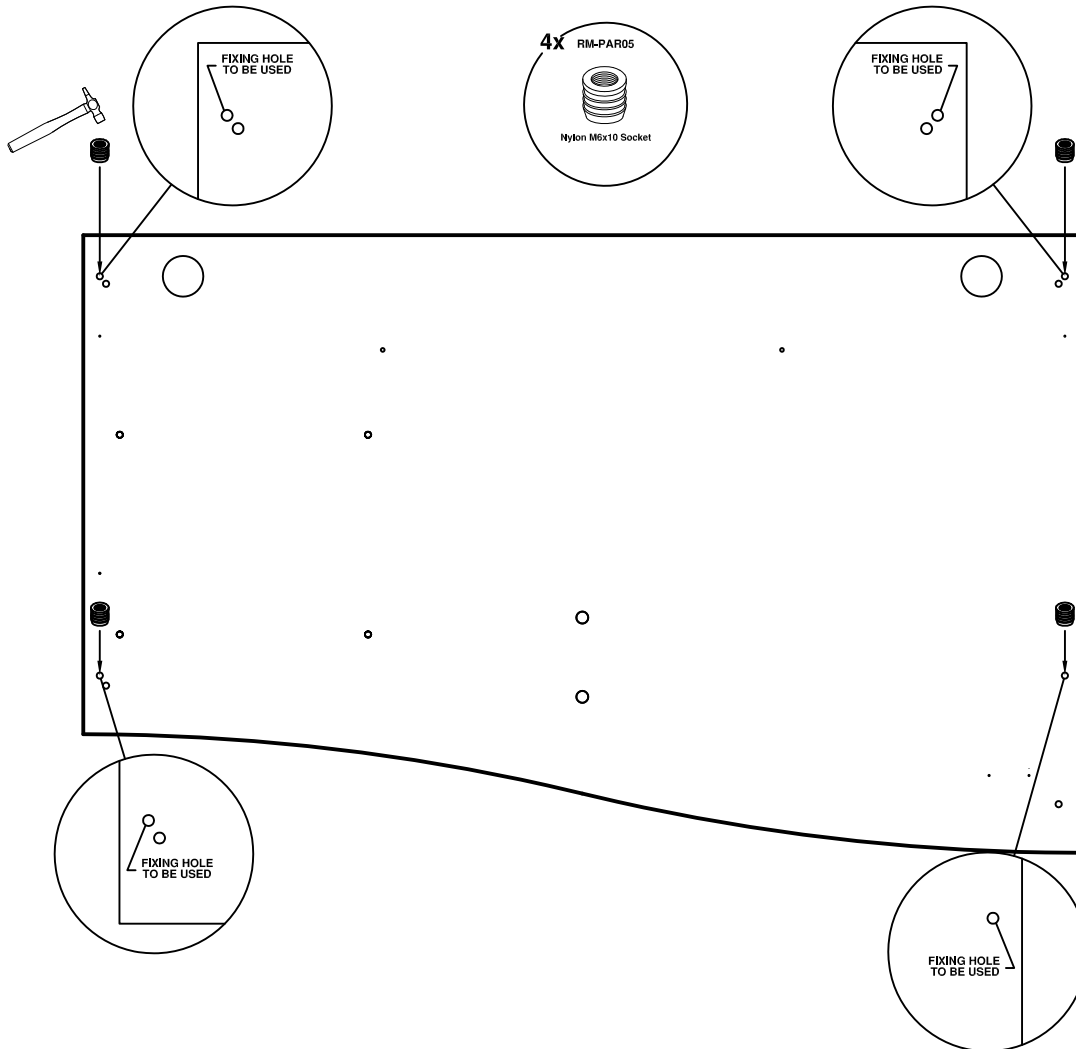
5

4x RM-FRL20



LH Leg

RH Leg



4x RM-PAR05



Nylon M6x10 Socket

FIXING HOLE TO BE USED

FIXING HOLE TO BE USED

FIXING HOLE TO BE USED

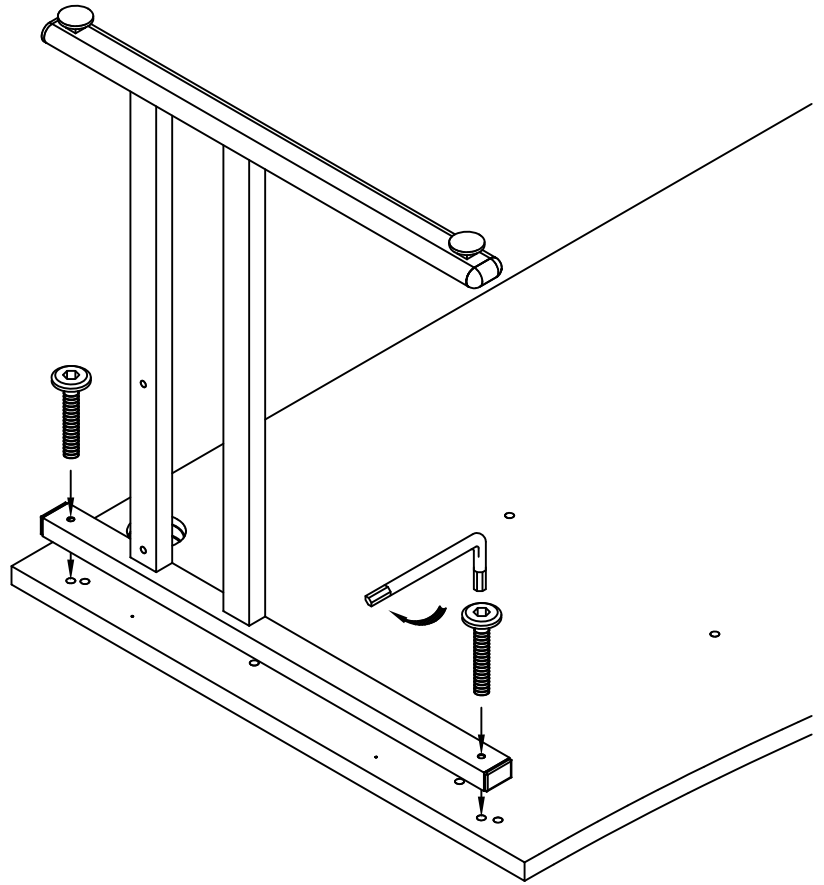
FIXING HOLE TO BE USED

6

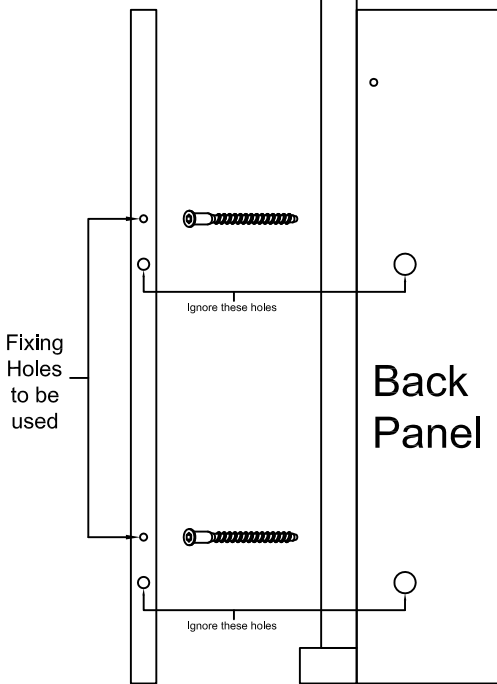
2x RM-BLT03



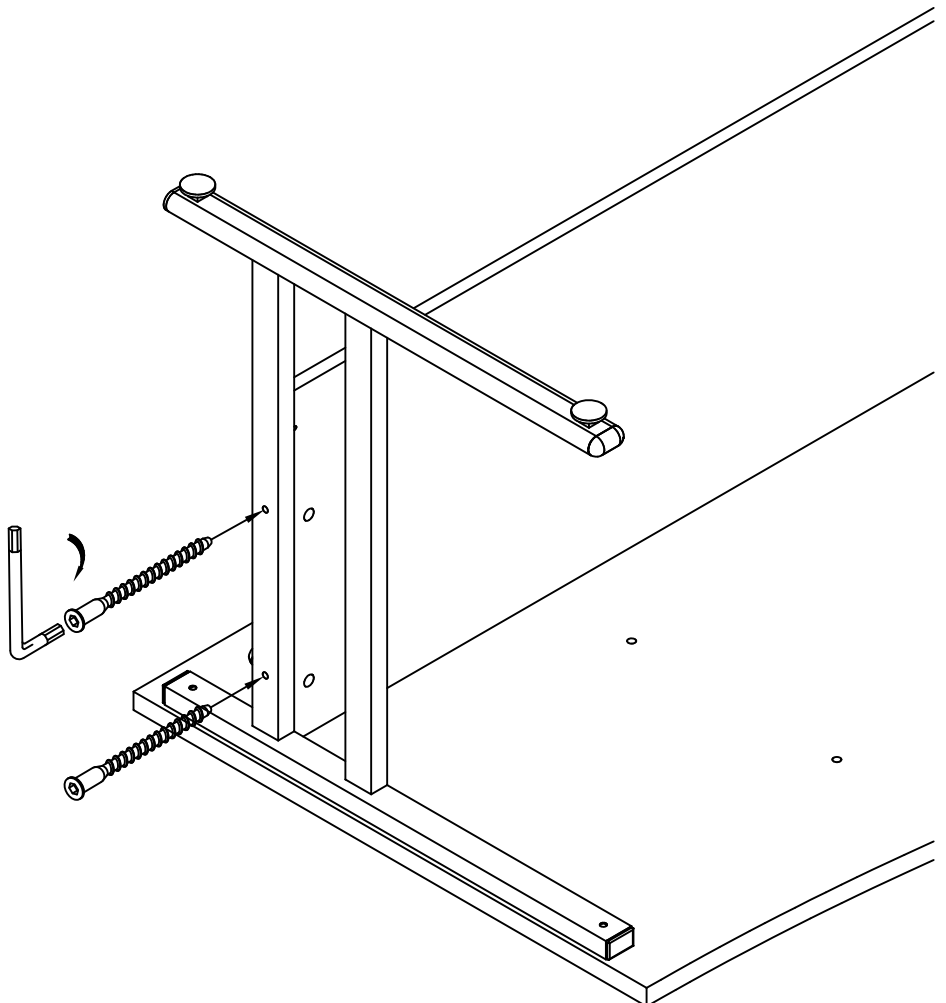
Connect Bolt M6x35mm



Side Elevation of Back Panel



RH Leg

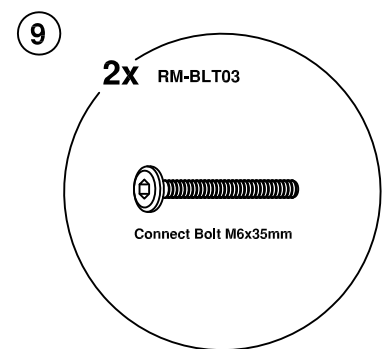
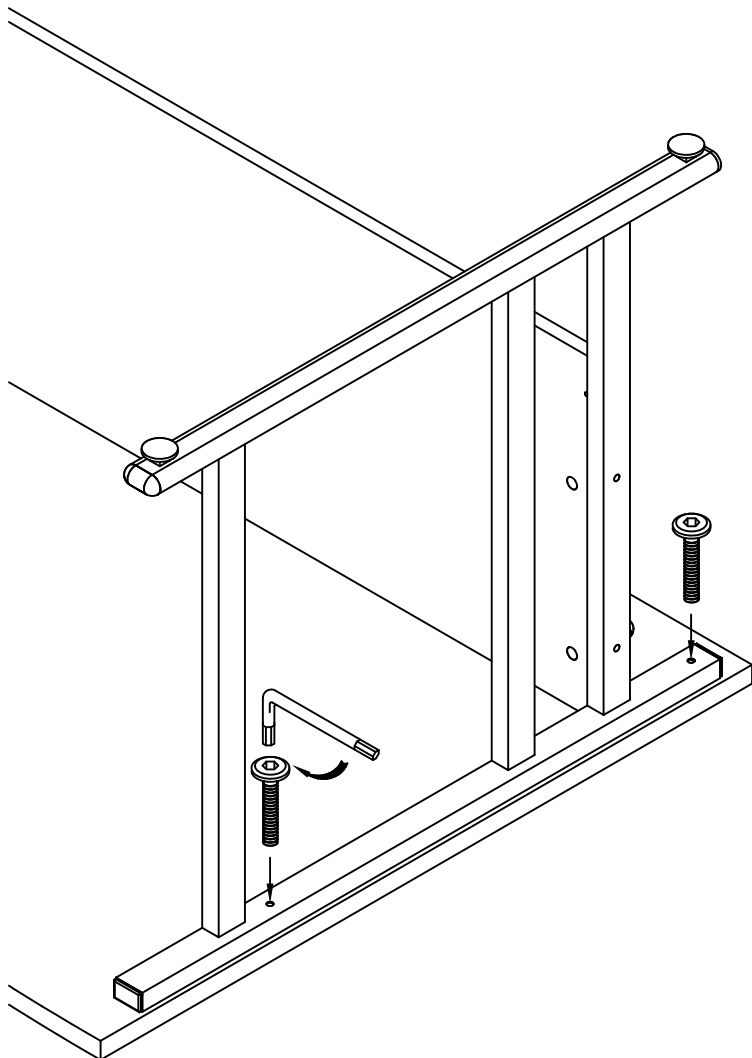
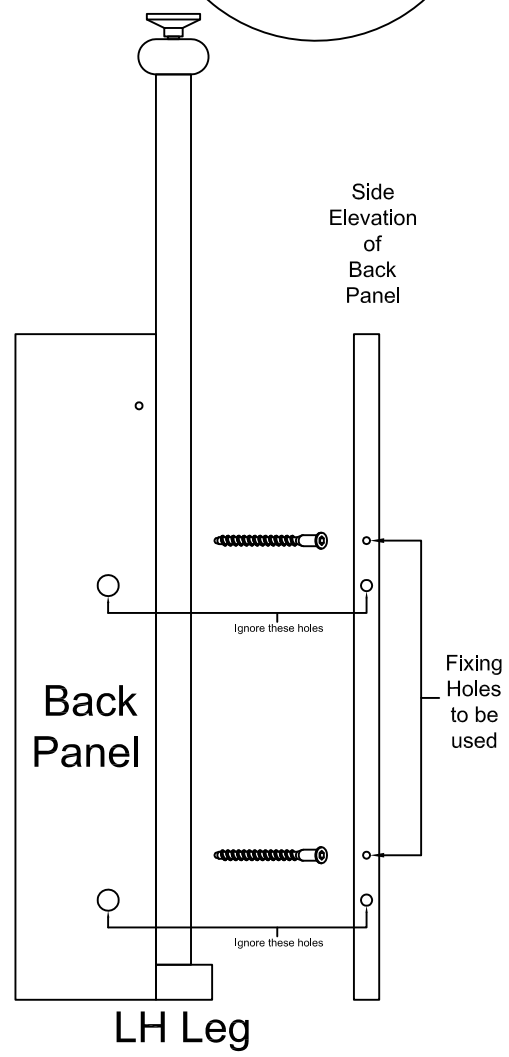
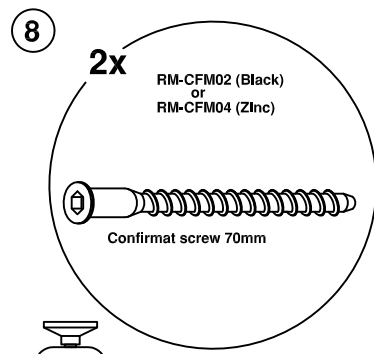
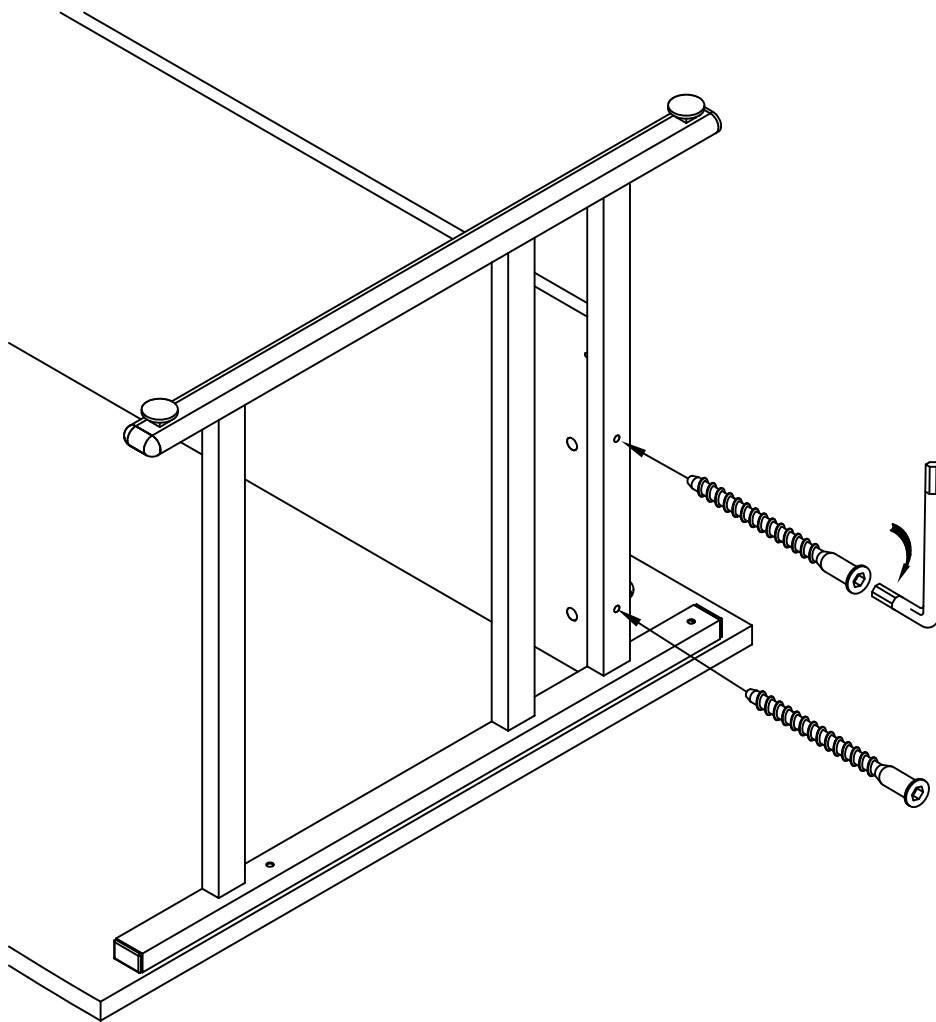


7

2x RM-CFM02 (Black) or RM-CFM04 (Zinc)



Confirmat screw 70mm



10

4x RM-CAP15 (Graphite)
or
RM-CAP16 (Silver)



15mm Cover Cap

