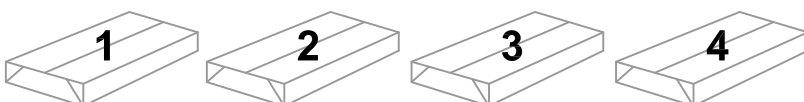
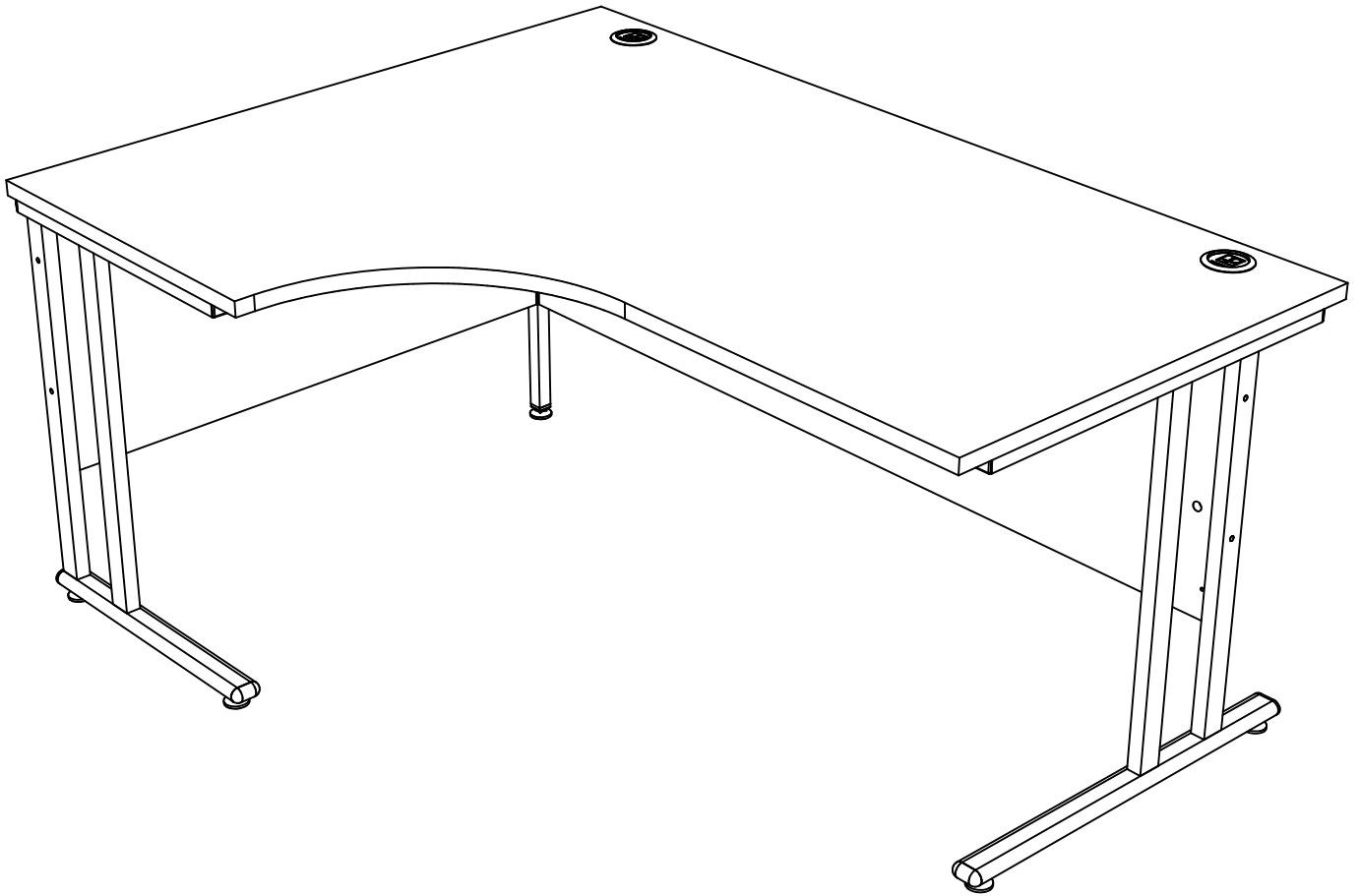
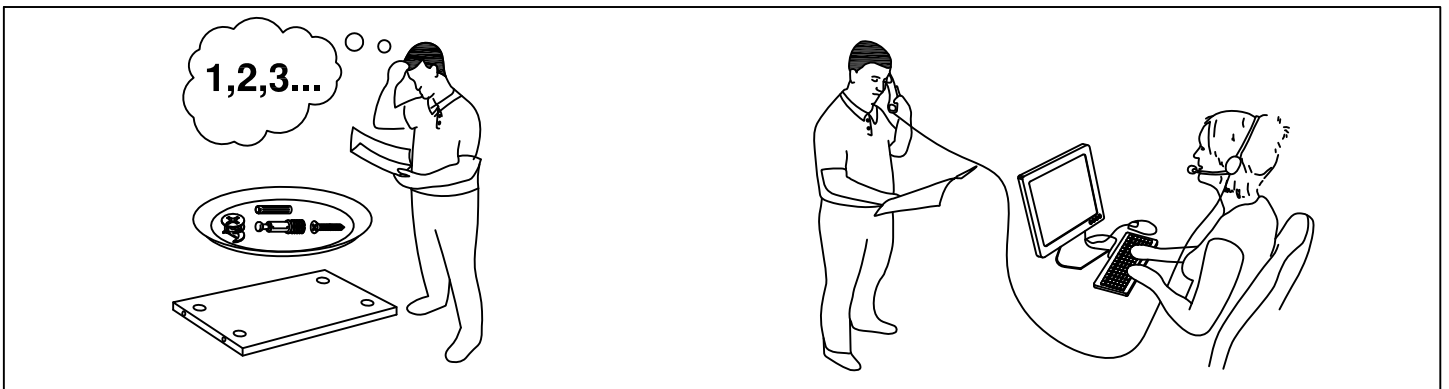
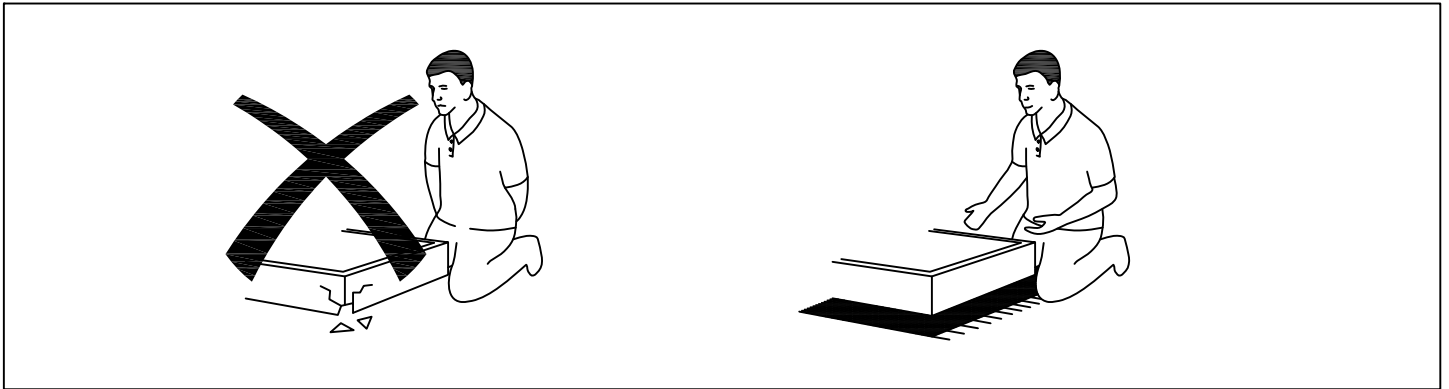
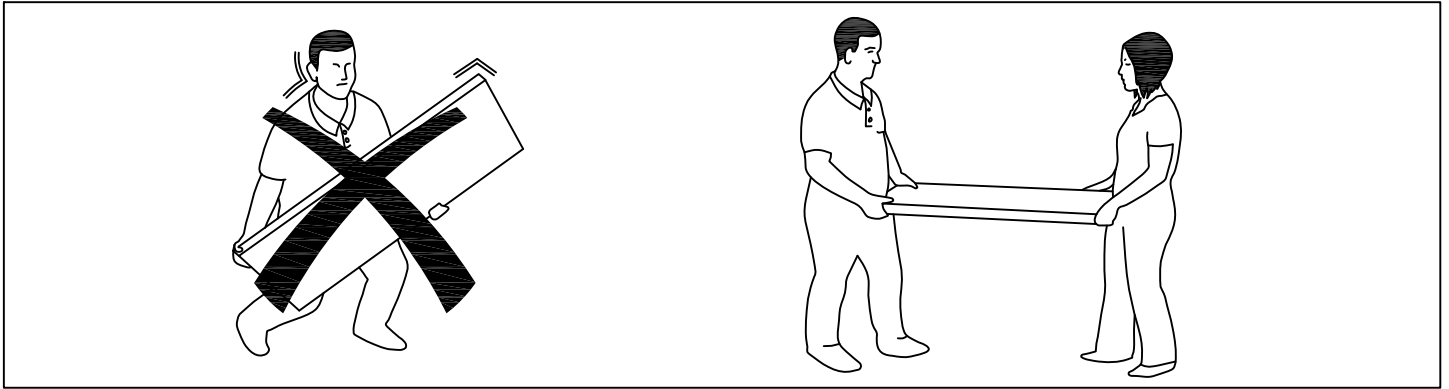
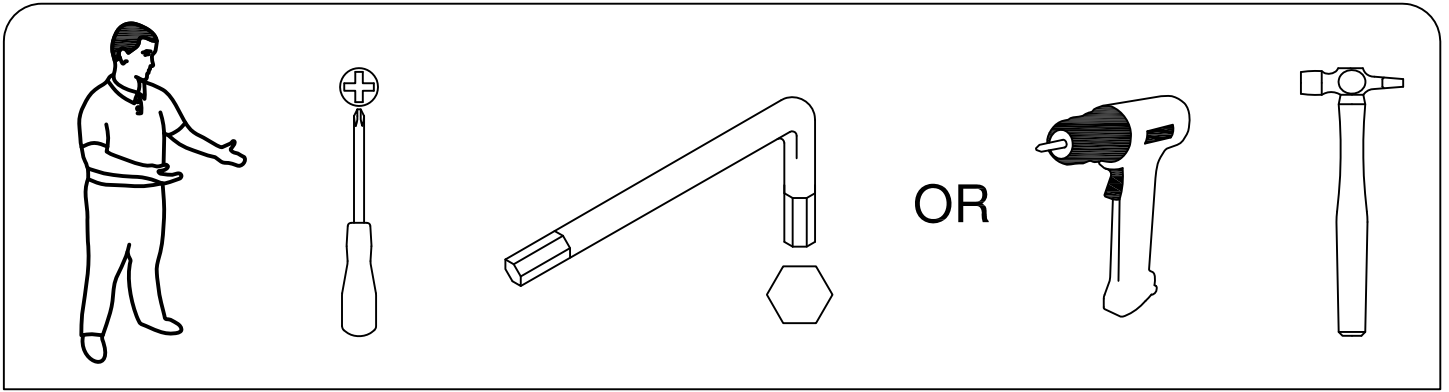


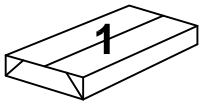
M25ELG, M25ELS LH Ergonomic Desks



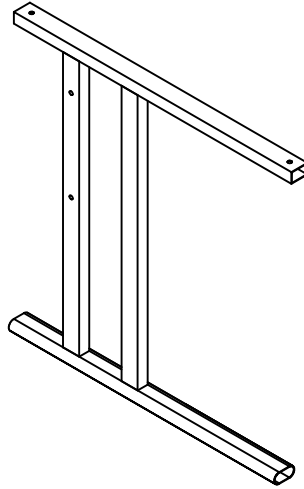
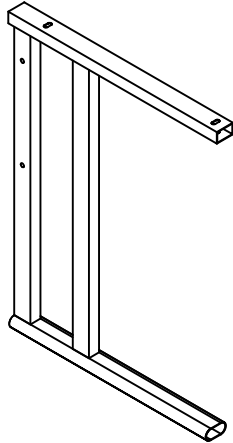




Please check that you have all the fittings



GREY **600 LH Leg**
OR
SILVER **600 LH Leg**

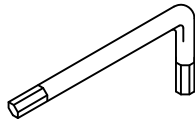


GREY **M25G_800 RH Leg**
OR
SILVER **M25S_800 RH Leg**

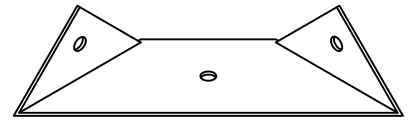
GREY **Corner Leg**
OR
SILVER **Corner Leg**



1 4mm Allen key
RM-ALK01



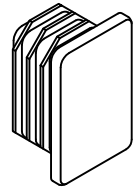
1 SEL Bracket
RM-BRKT33



4 Nylon M6x10 Socket
RM-PAR05



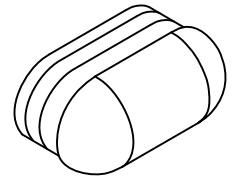
4 Ferrul 40x25
RM-FRL09



2 M6x8 Brass Insert
RM-PAR03



4 Ferrul 50x25 - FSO RIB DOMED GREY
RM-FRL12
Ferrul 50x25 - FSO RIB DOMED SILVER
RM-FRL13



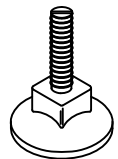
8 Confirmat screw 70mm
RM-CFM02 (Black)
or
RM-CFM04 (Zinc)



4 Connect Bolt M6x35mm
RM-BLT03



5 Adjustable Foot Dia 38mm
RM-FRL20



3 3/4" x 7 screw
RM-SCR37



4 15mm Cover Cap
RM-CAP15 (Graphite)
or
RM-CAP16 (Silver)

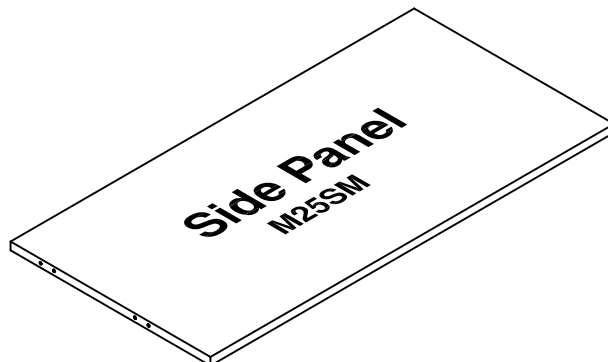
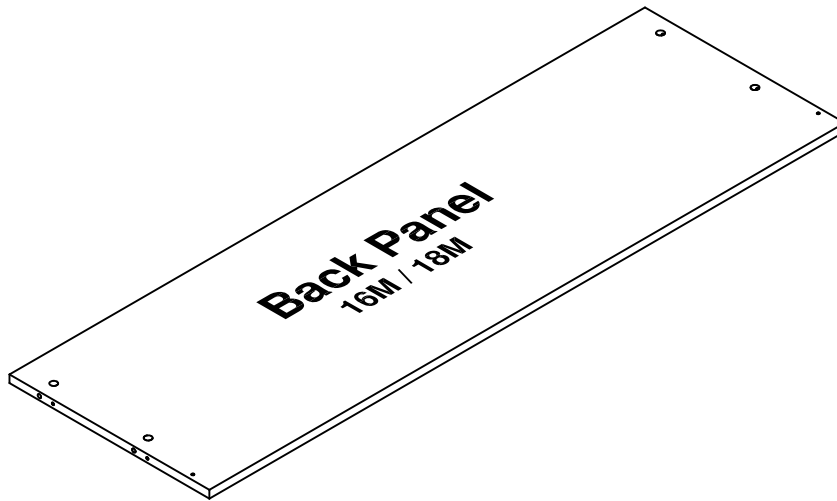
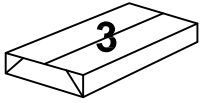
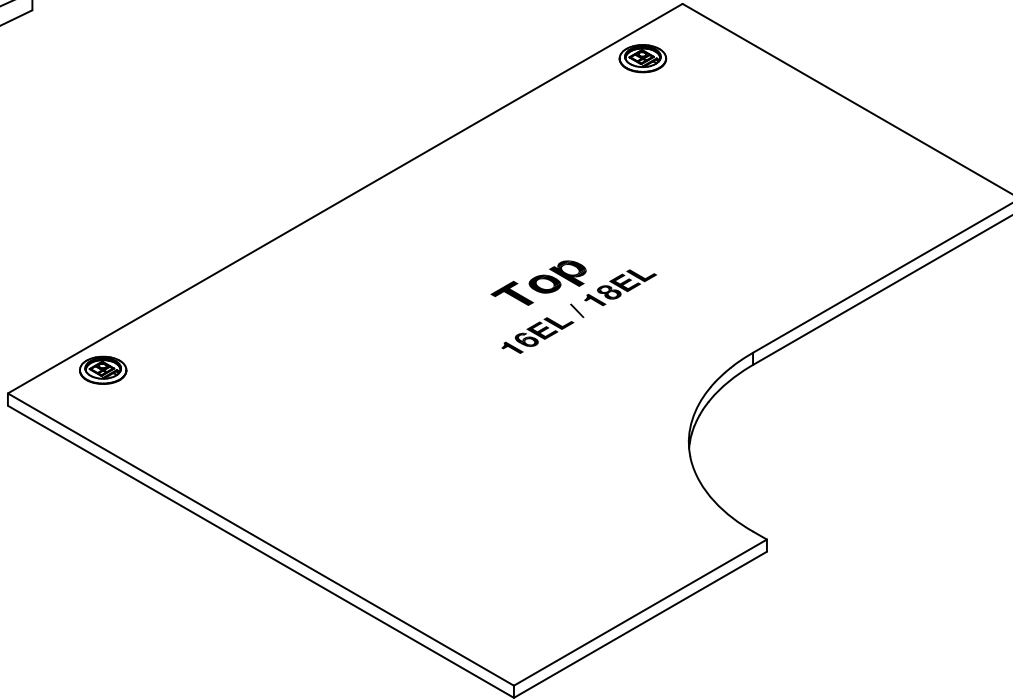
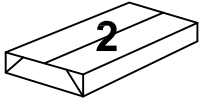


1 Ferrul 25x25 - Tapped M8
RM-FRL03

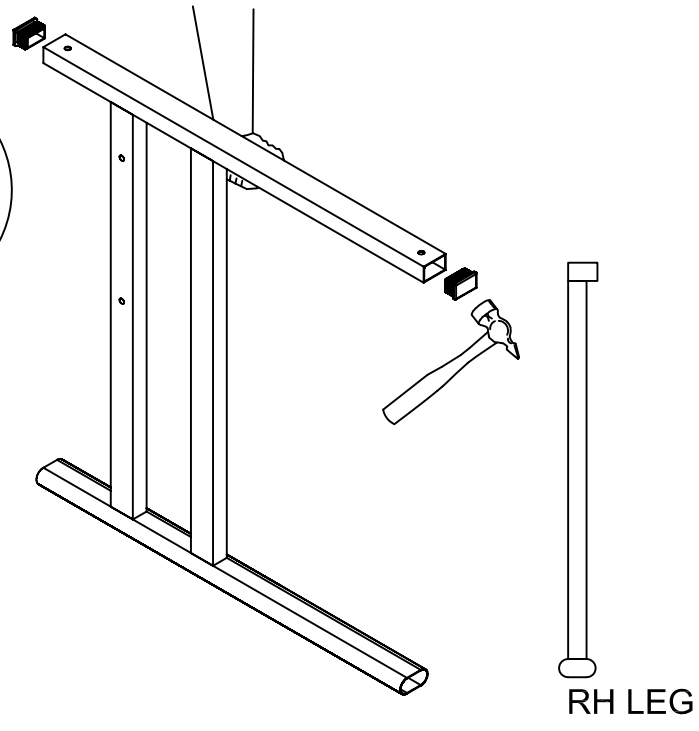
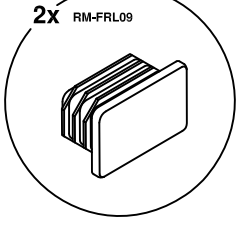




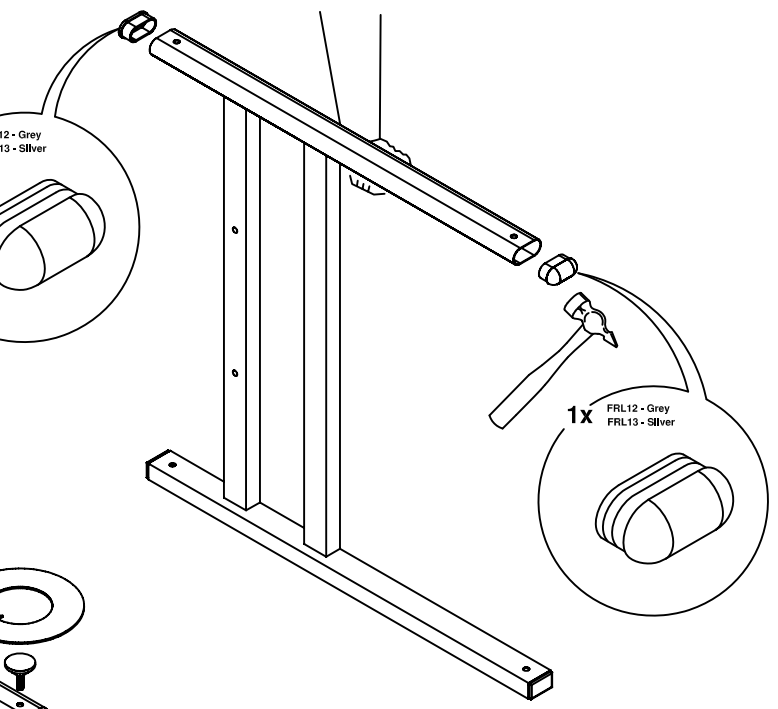
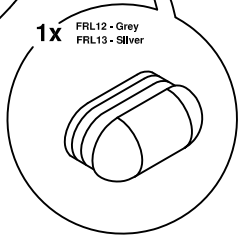
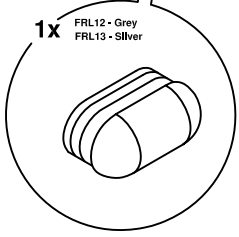
Please check that you have all the fittings



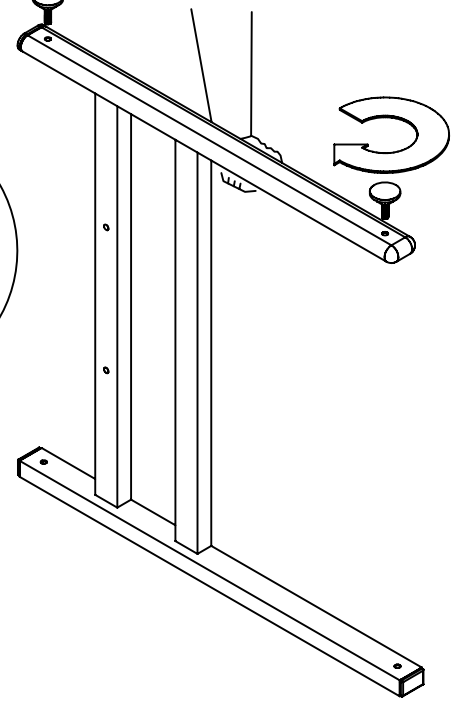
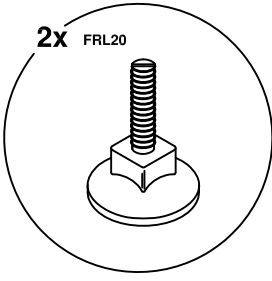
1



2

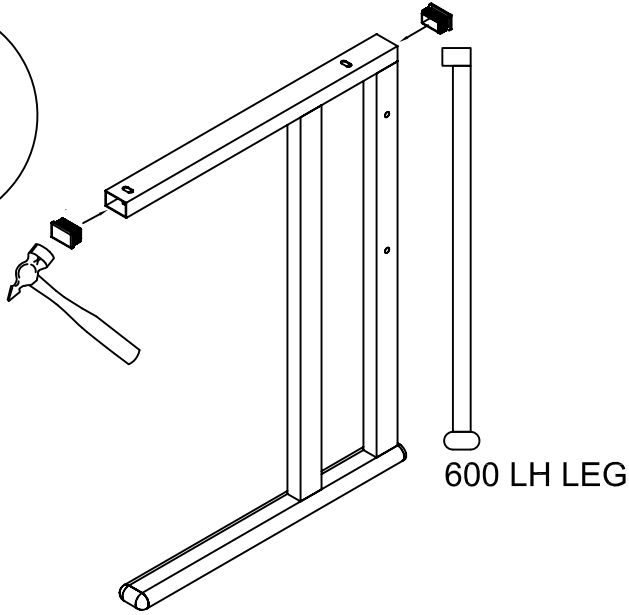
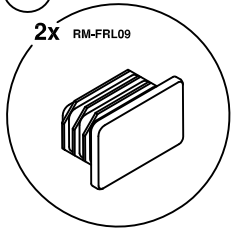


3



4

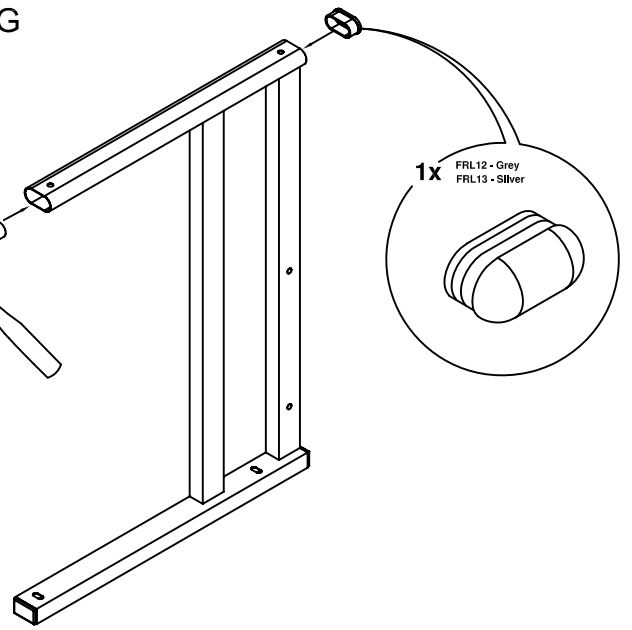
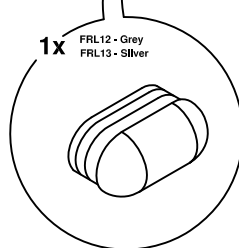
2x RM-FRL09



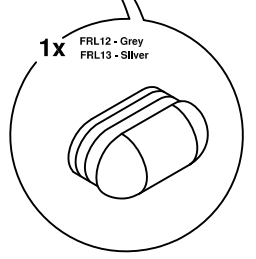
600 LH LEG

5

1x FRL12 - Grey
FRL13 - Silver

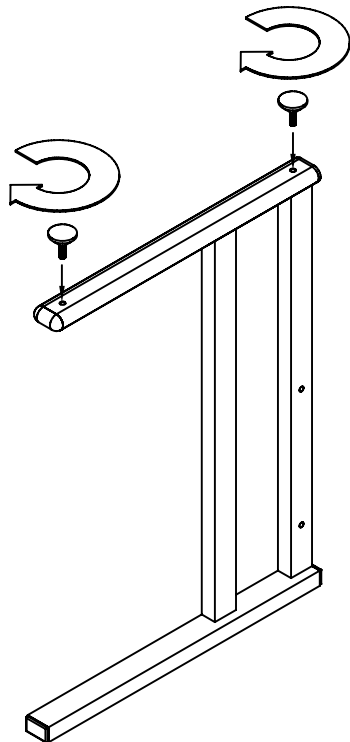
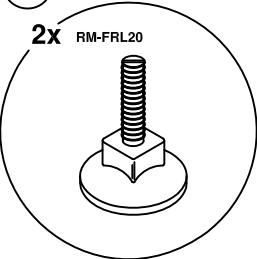


1x FRL12 - Grey
FRL13 - Silver

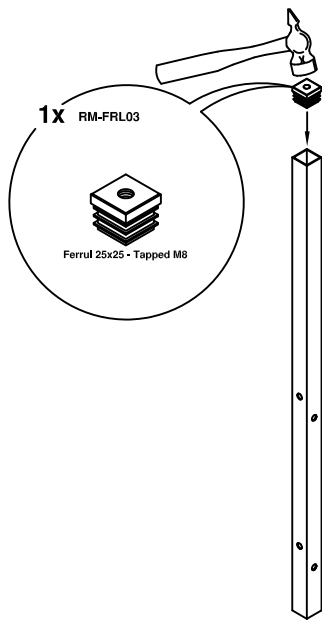


6

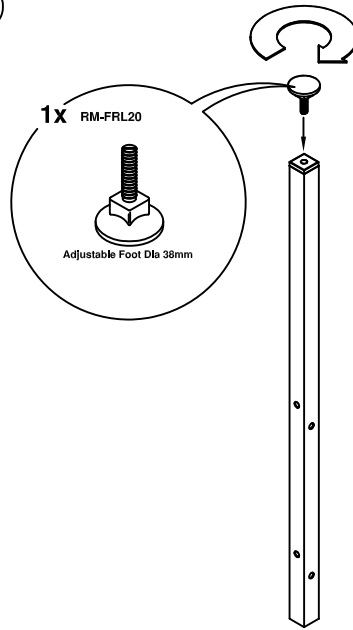
2x RM-FRL20



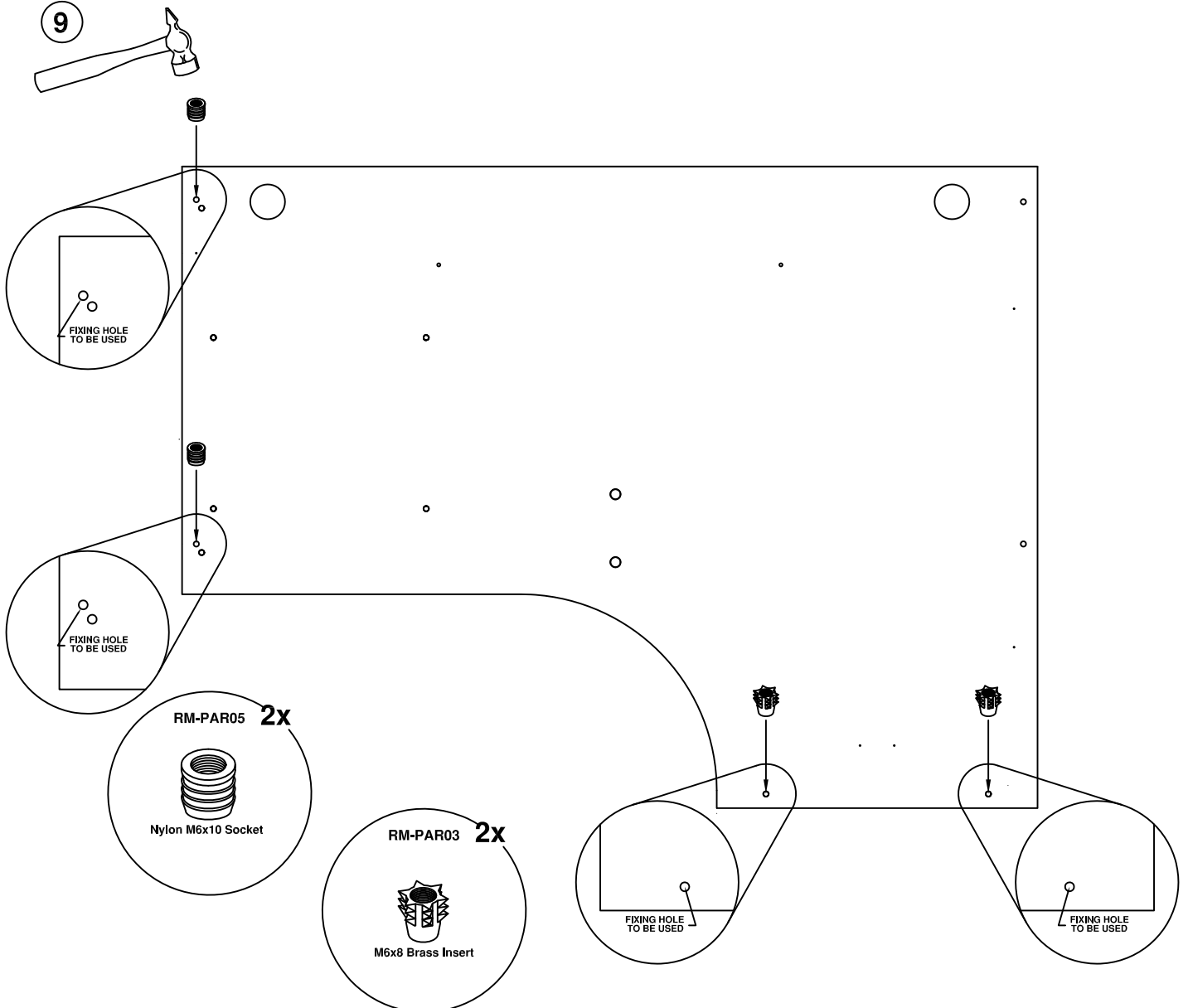
7



8

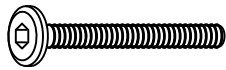


9

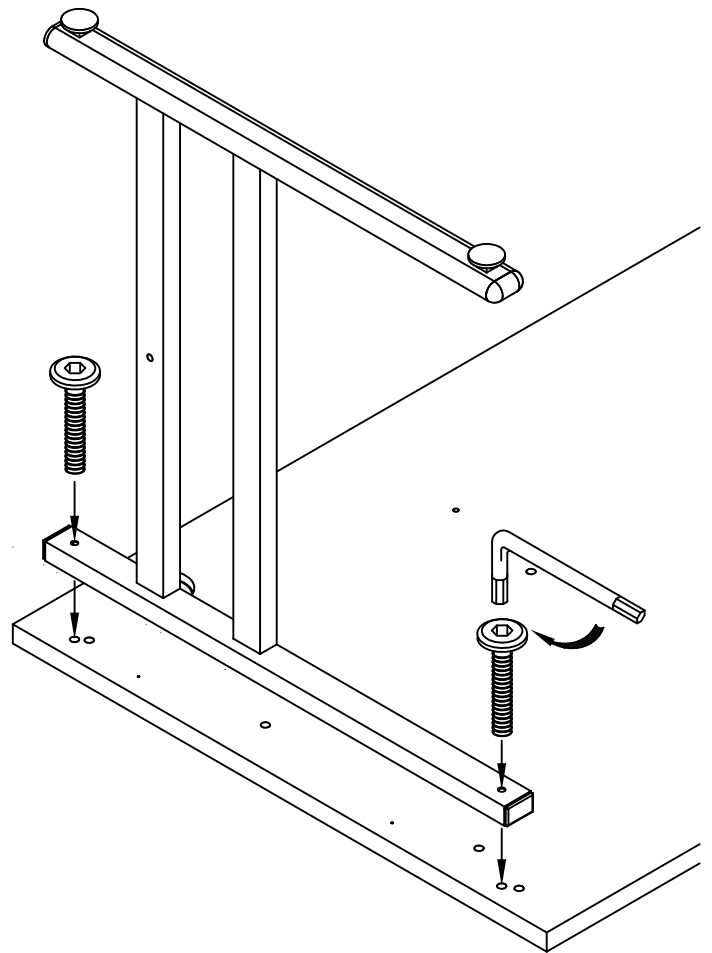


10

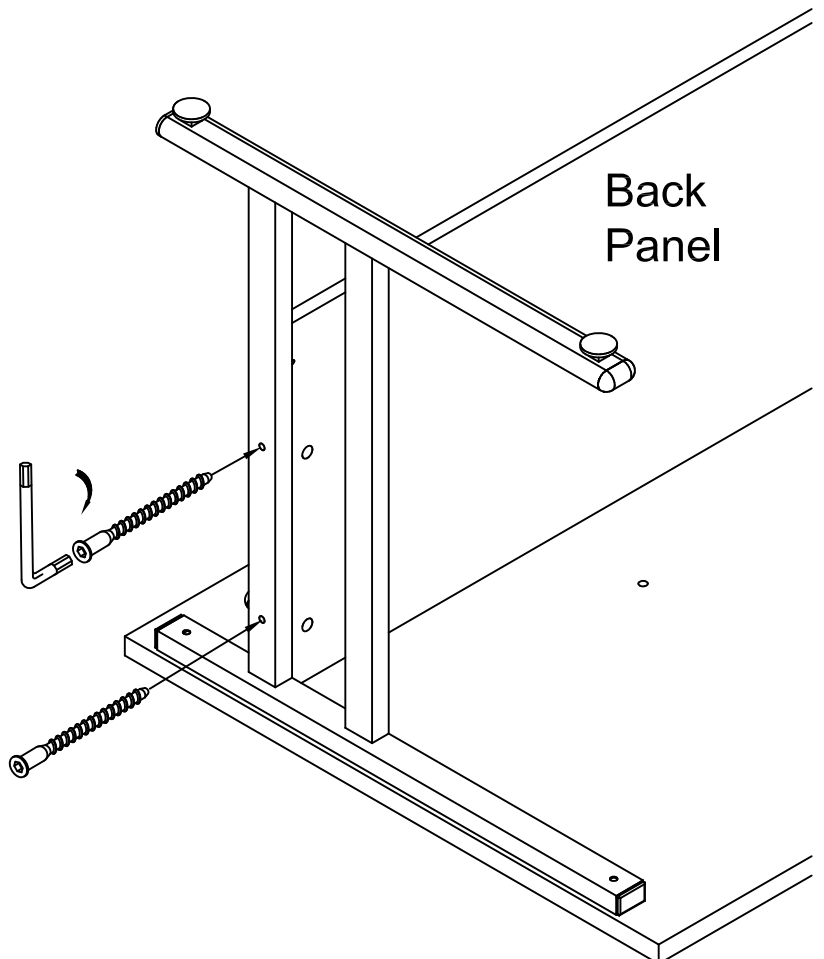
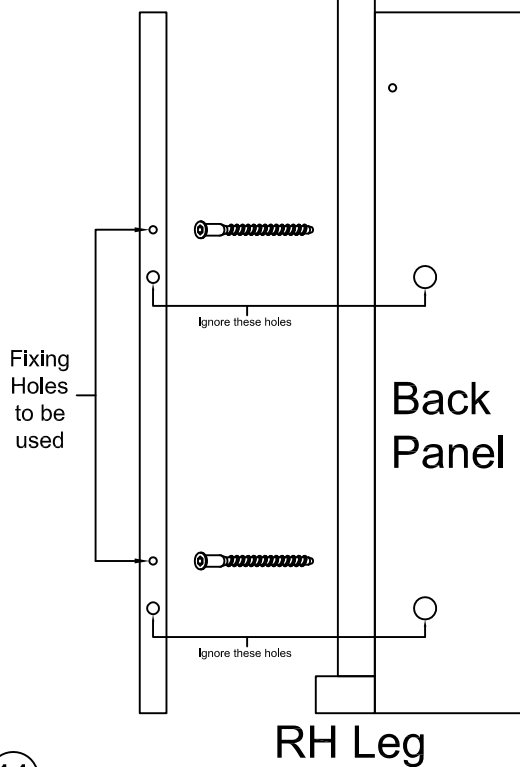
2x RM-BLT03



Connect Bolt M6x35mm



Side Elevation of Back Panel



Back Panel

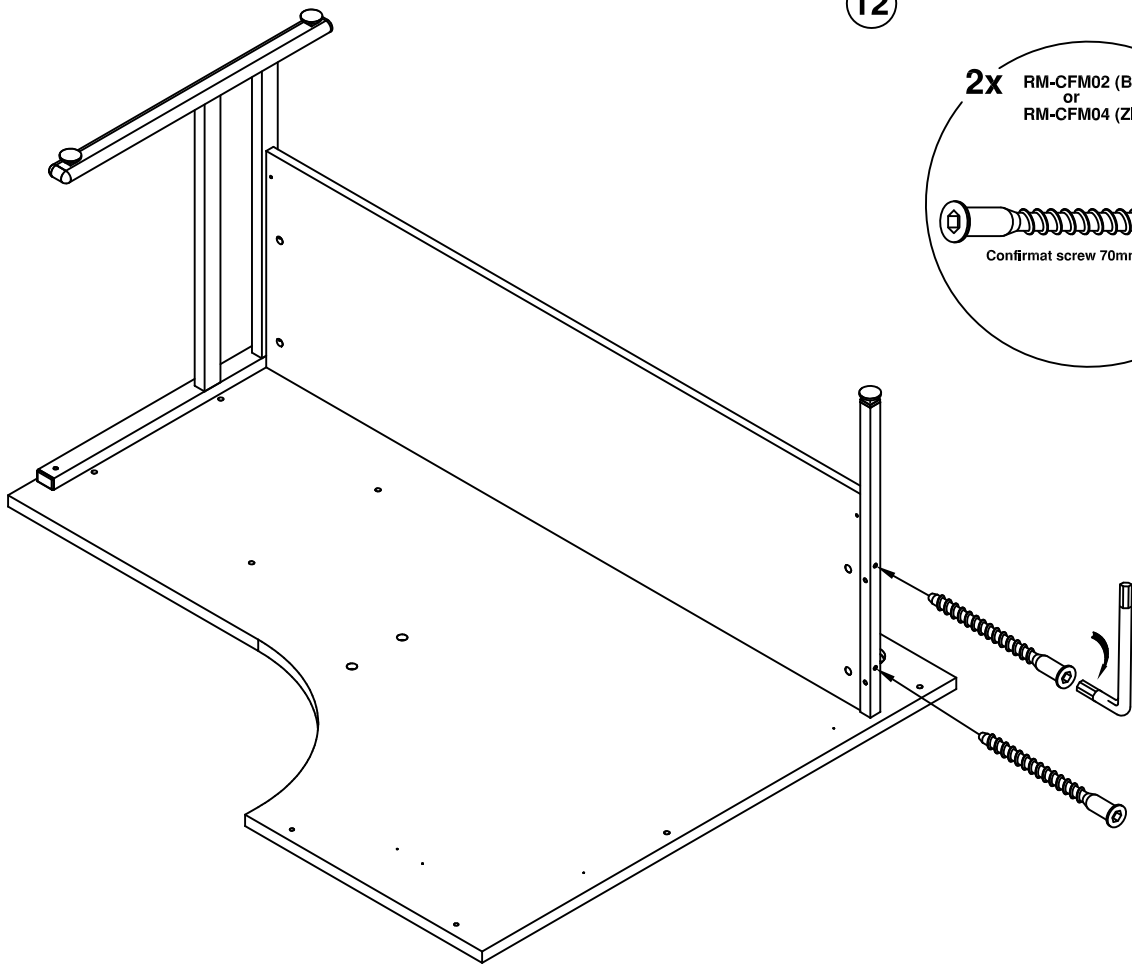
11

2x RM-CFM02 (Black) or RM-CFM04 (Zinc)

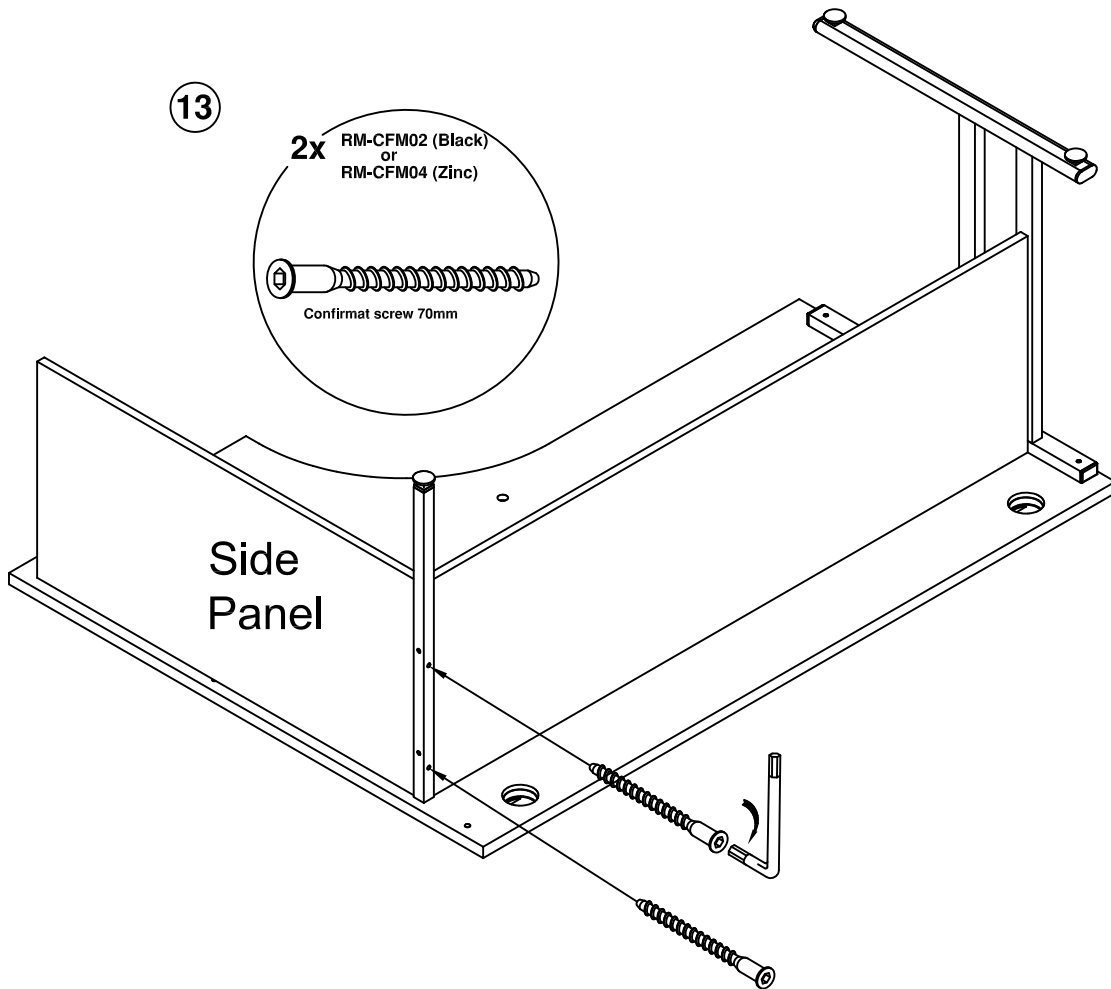


Confirmat screw 70mm

12



13

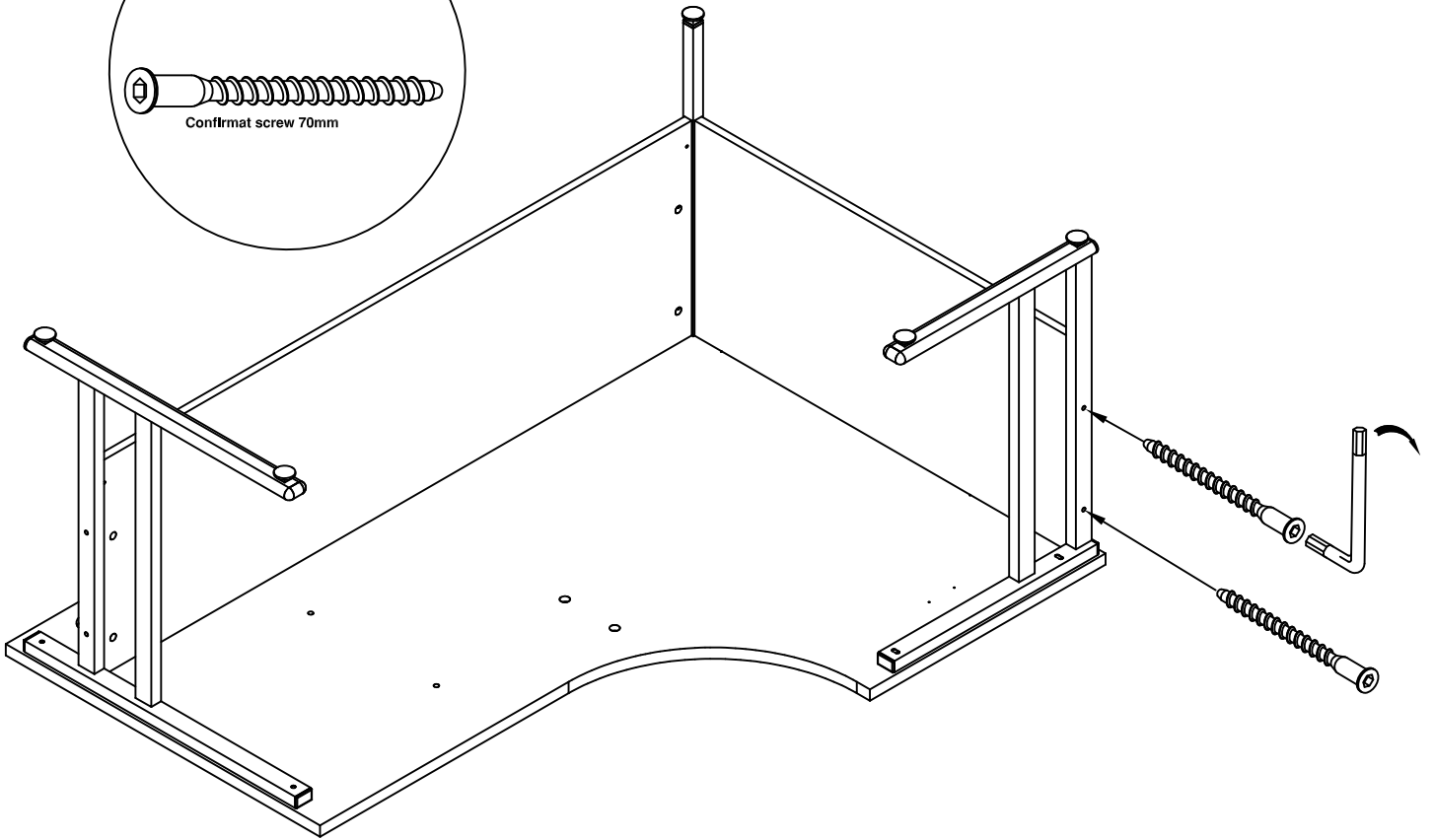


14

2x RM-CFM02 (Black)
or
RM-CFM04 (Zinc)



Confrmat screw 70mm

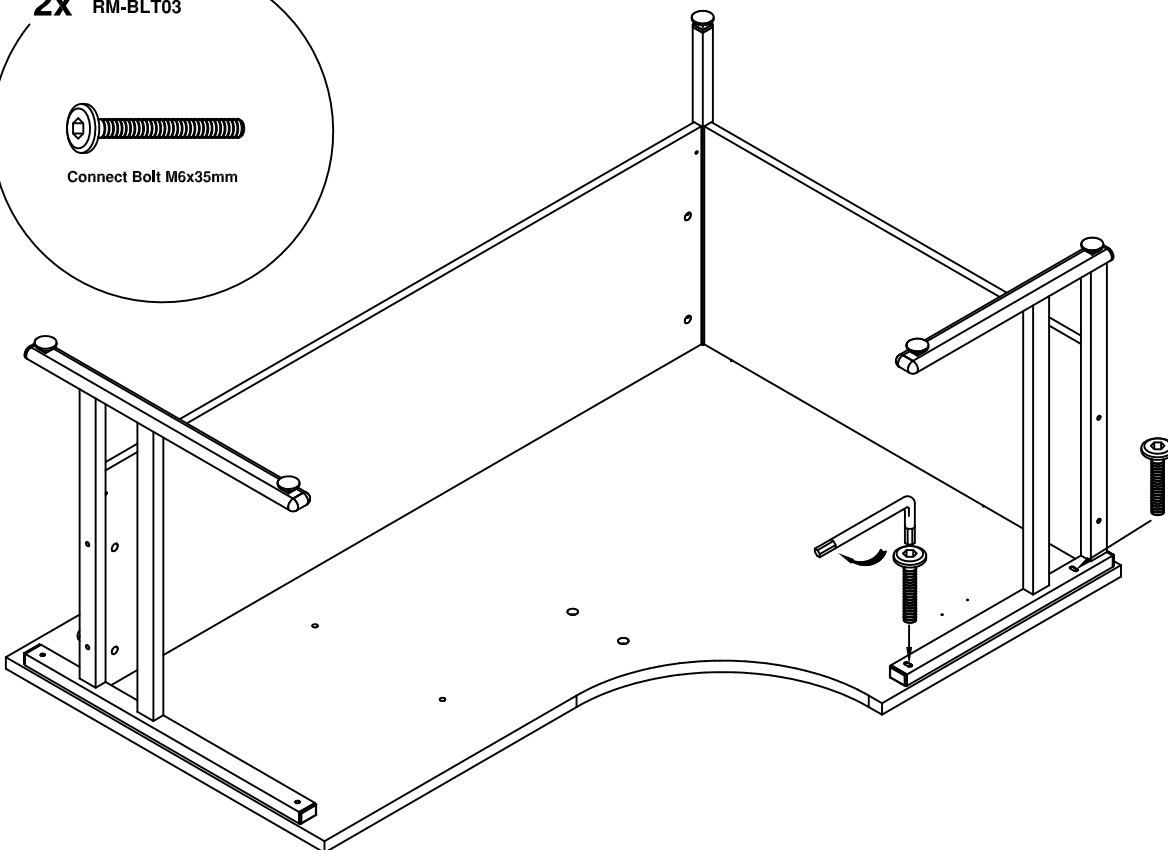


15

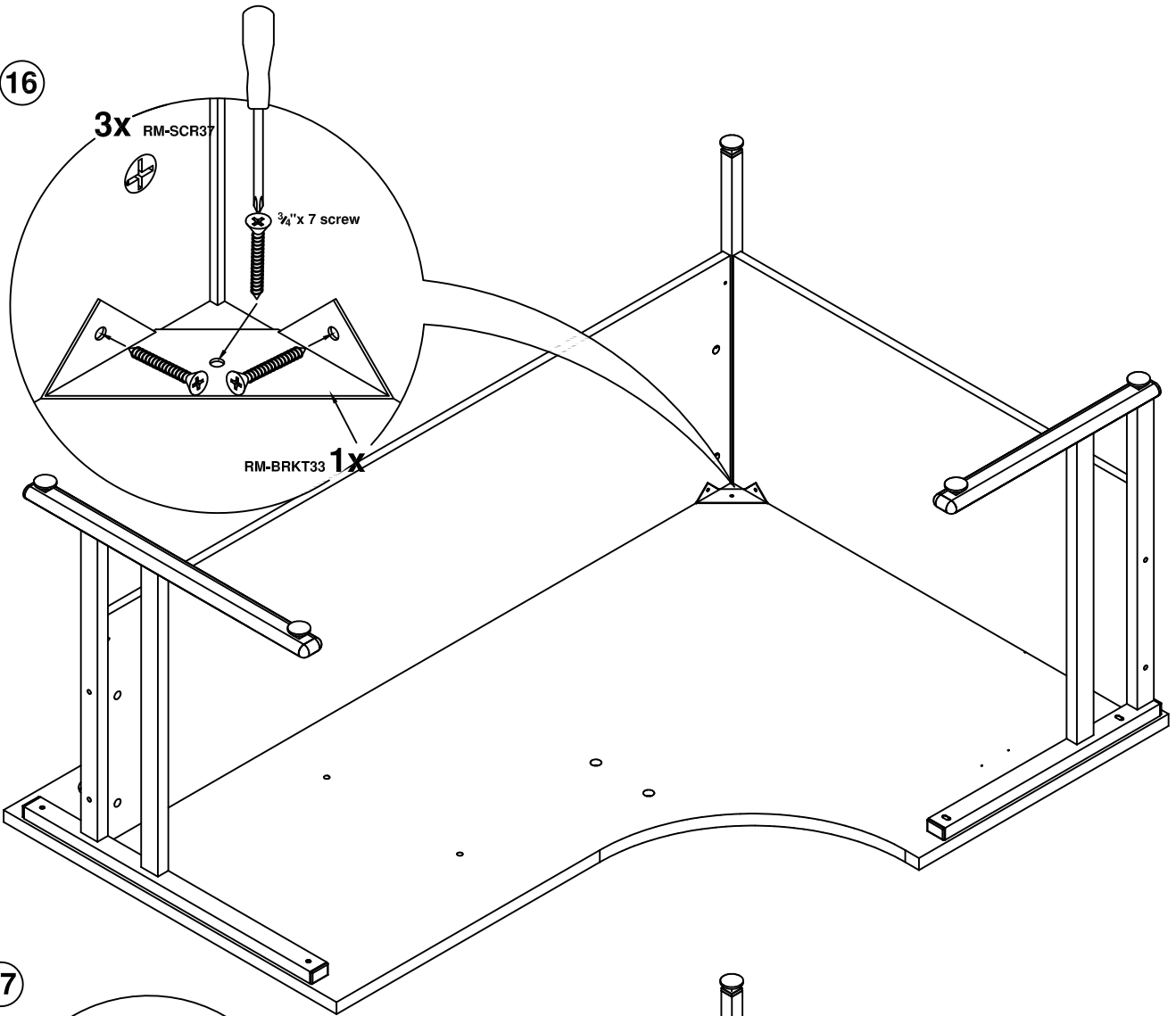
2x RM-BLT03



Connect Bolt M6x35mm



16

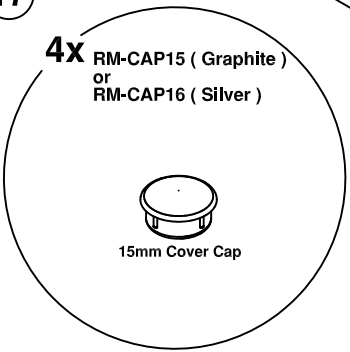


3x RM-SCR37

3/4" x 7 screw

RM-BRKT33 1x

17



4x RM-CAP15 (Graphite)
or
RM-CAP16 (Silver)

15mm Cover Cap

