

FLXG18 / FLXS18



Carton Contents

COMPONENT BOX
CONTAINS LEGS AND FITTINGS

PROTECTIVE CORNER
THESE ARE PACKING MATERIALS
AND NEED TO BE DISPOSED OF

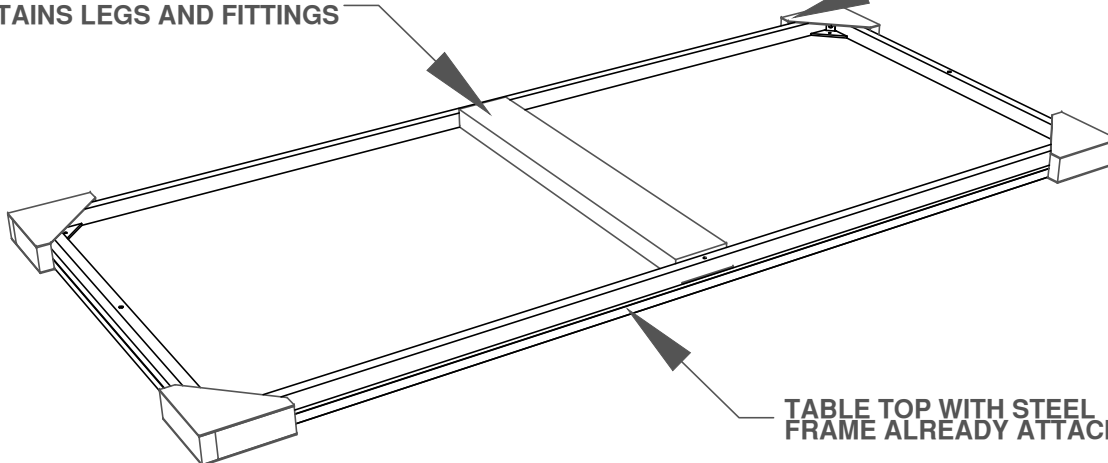
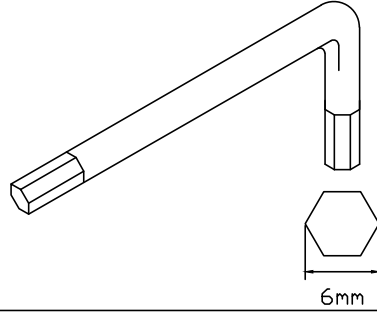
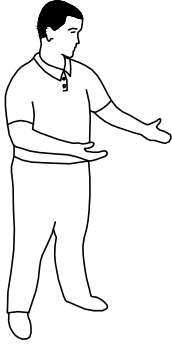


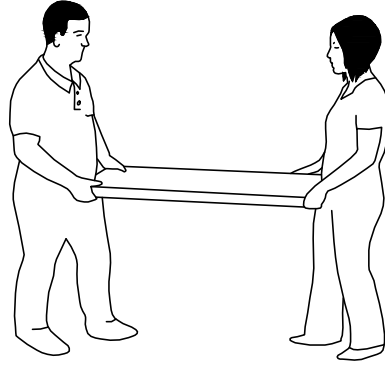
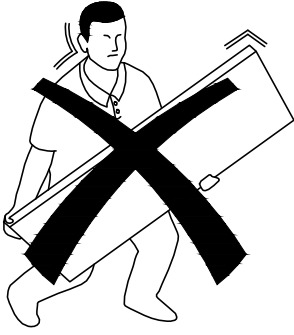
TABLE TOP WITH STEEL
FRAME ALREADY ATTACHED



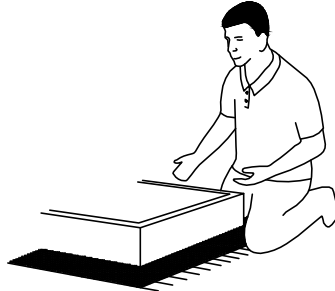
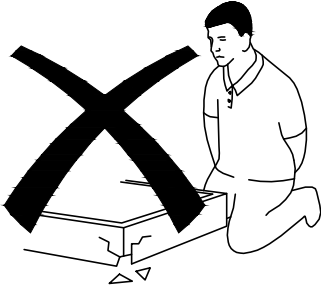
TOOLS REQUIRED FOR ASSEMBLY



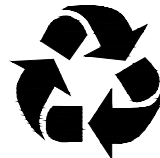
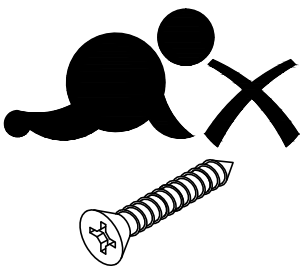
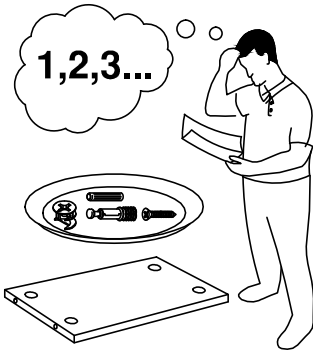
DONT STRUGGLE 2 MAN LIFT



ALWAYS HANDLE ITEMS WITH CARE

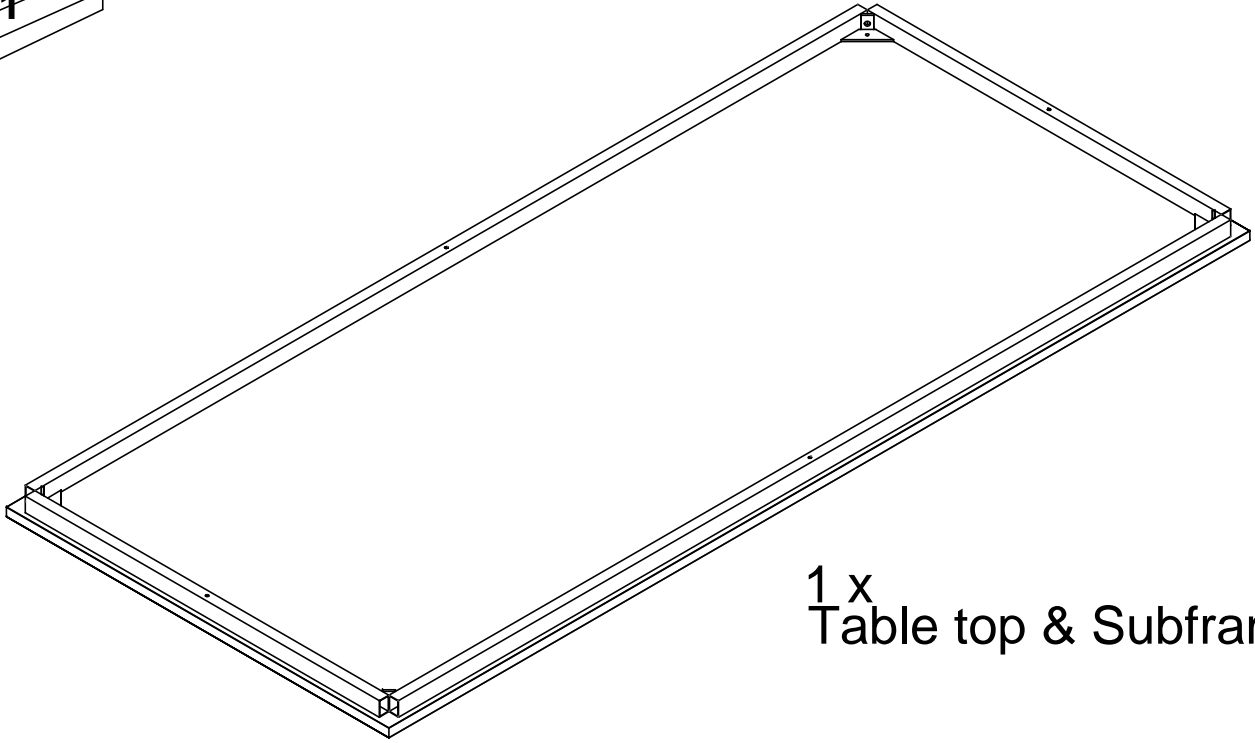
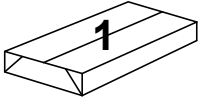


IF UNSURE CALL FOR ASSISTANCE

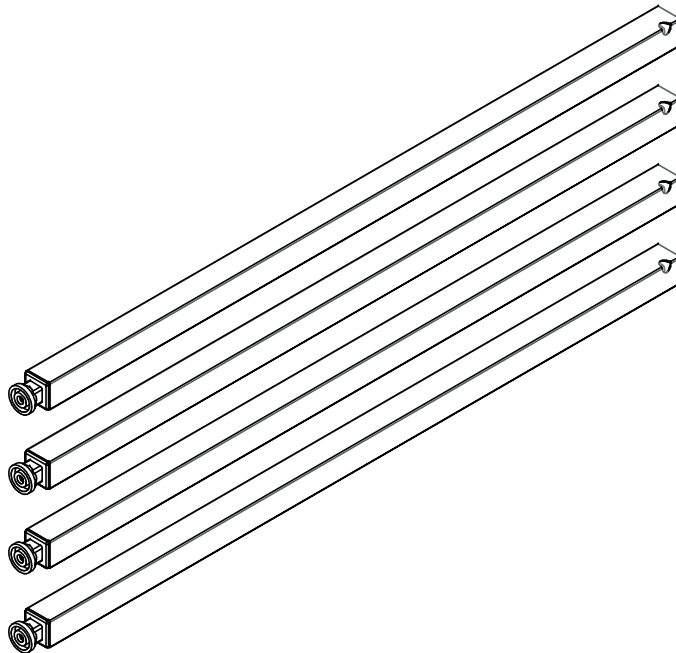




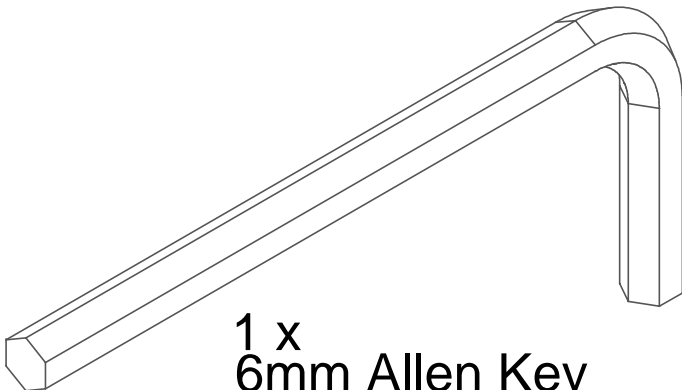
Please check that you have all the components



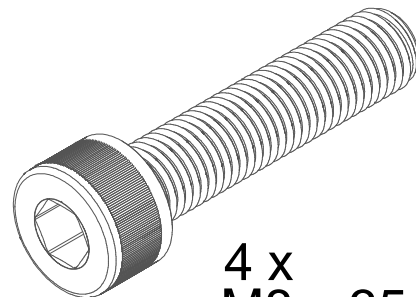
1 x Table top & Subframe



4 x Legs



1 x 6mm Allen Key

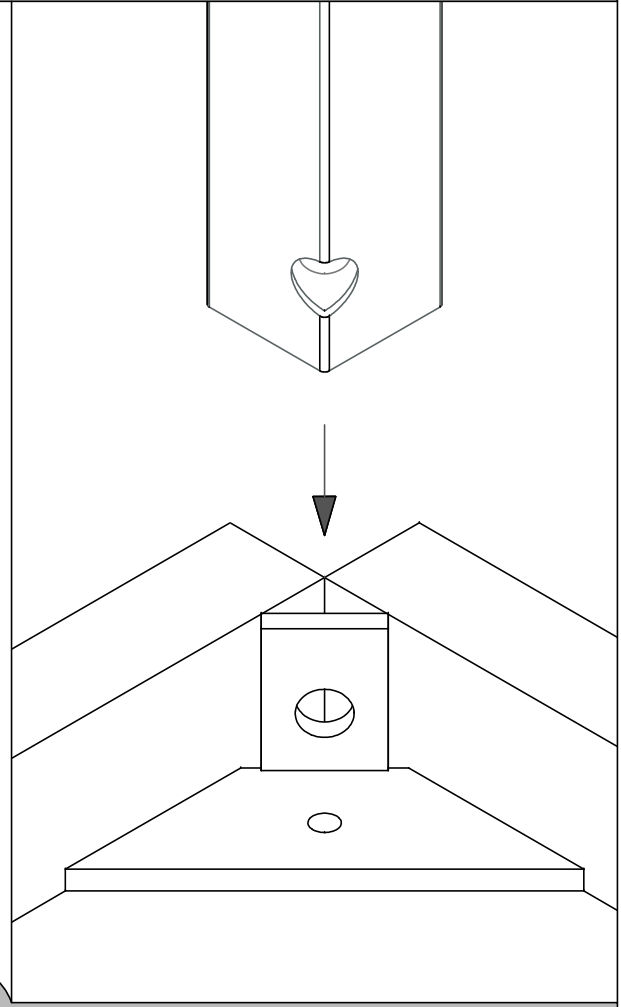
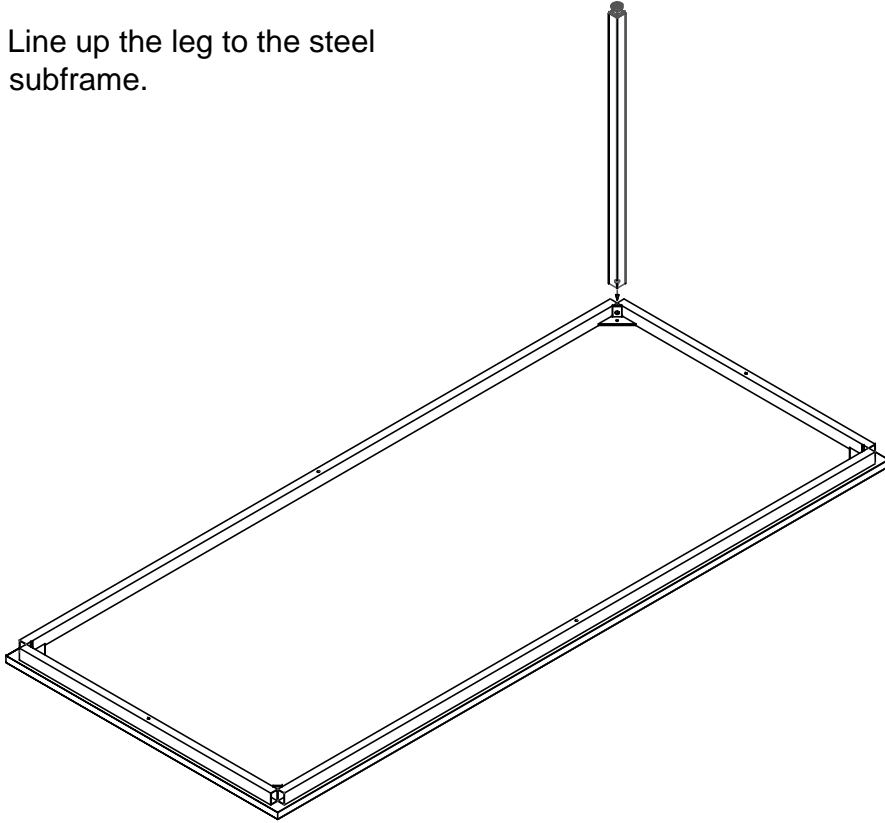


4 x M8 x 35mm Bolt

1

Step 1

Line up the leg to the steel subframe.

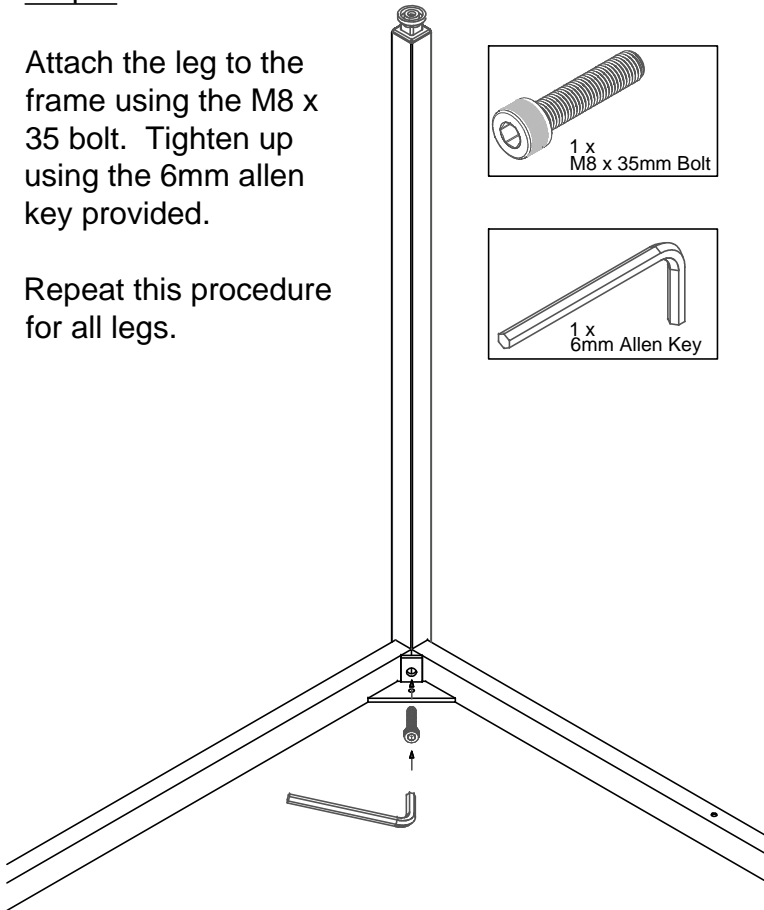


2

Step 2

Attach the leg to the frame using the M8 x 35 bolt. Tighten up using the 6mm allen key provided.

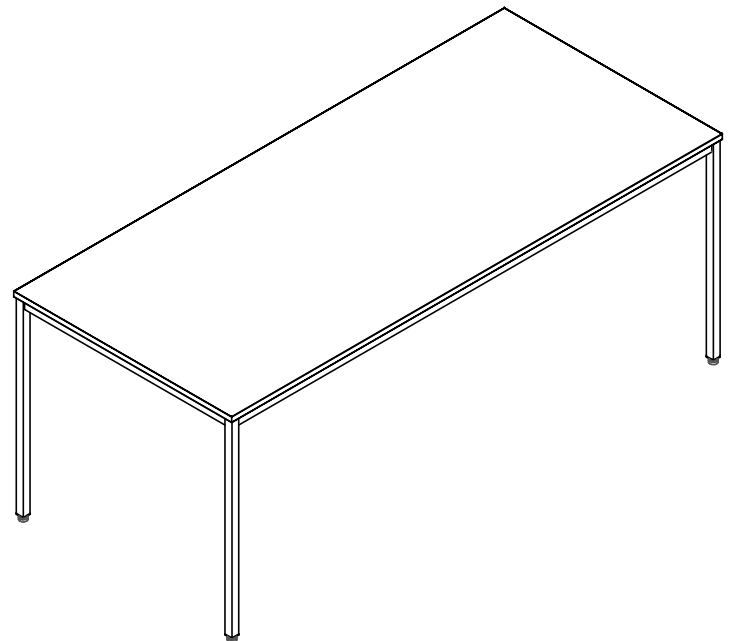
Repeat this procedure for all legs.



3

Step 3

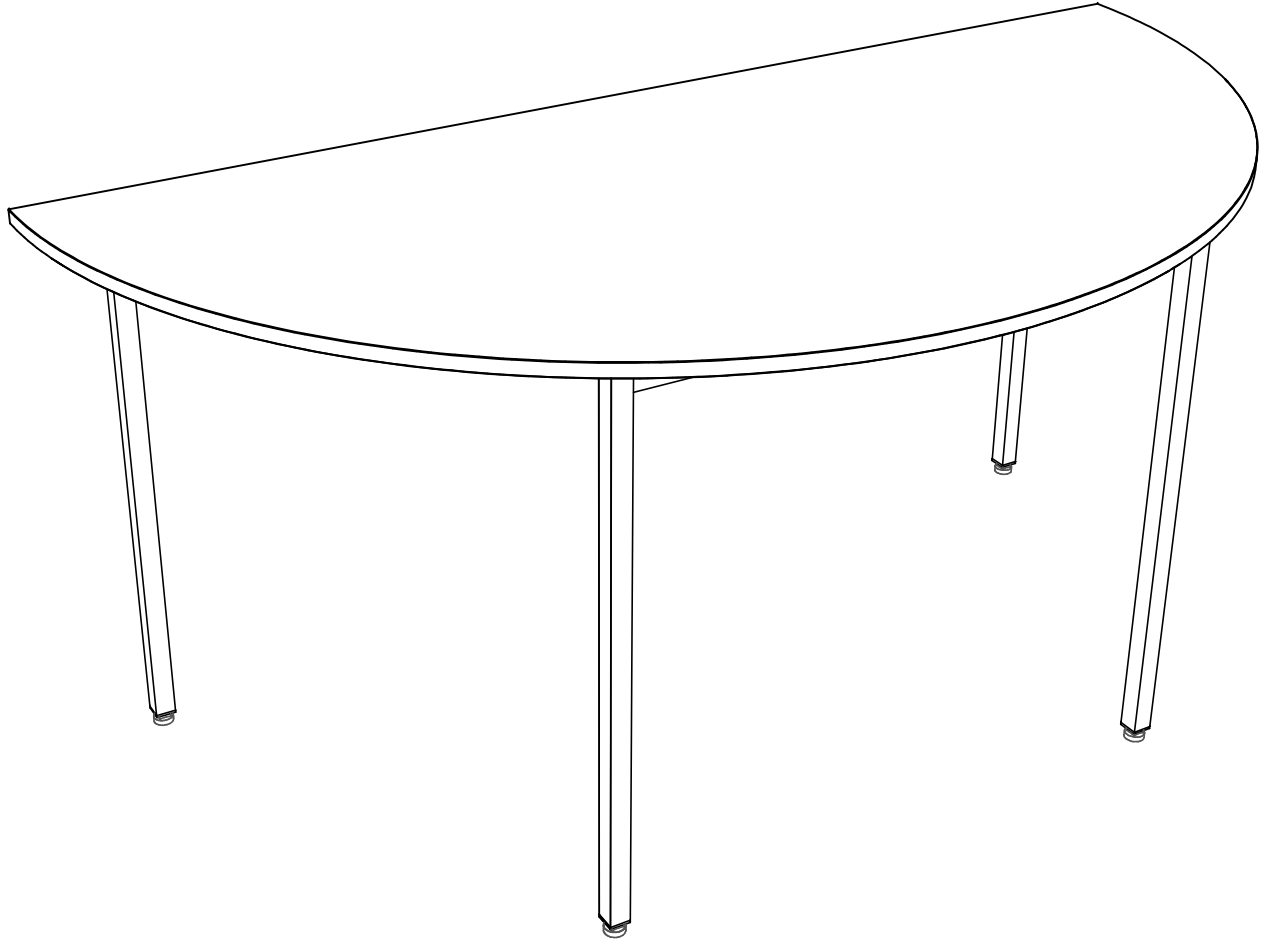
Once all legs are attached turn the table upright, it is recommended that 2 people lift the table.



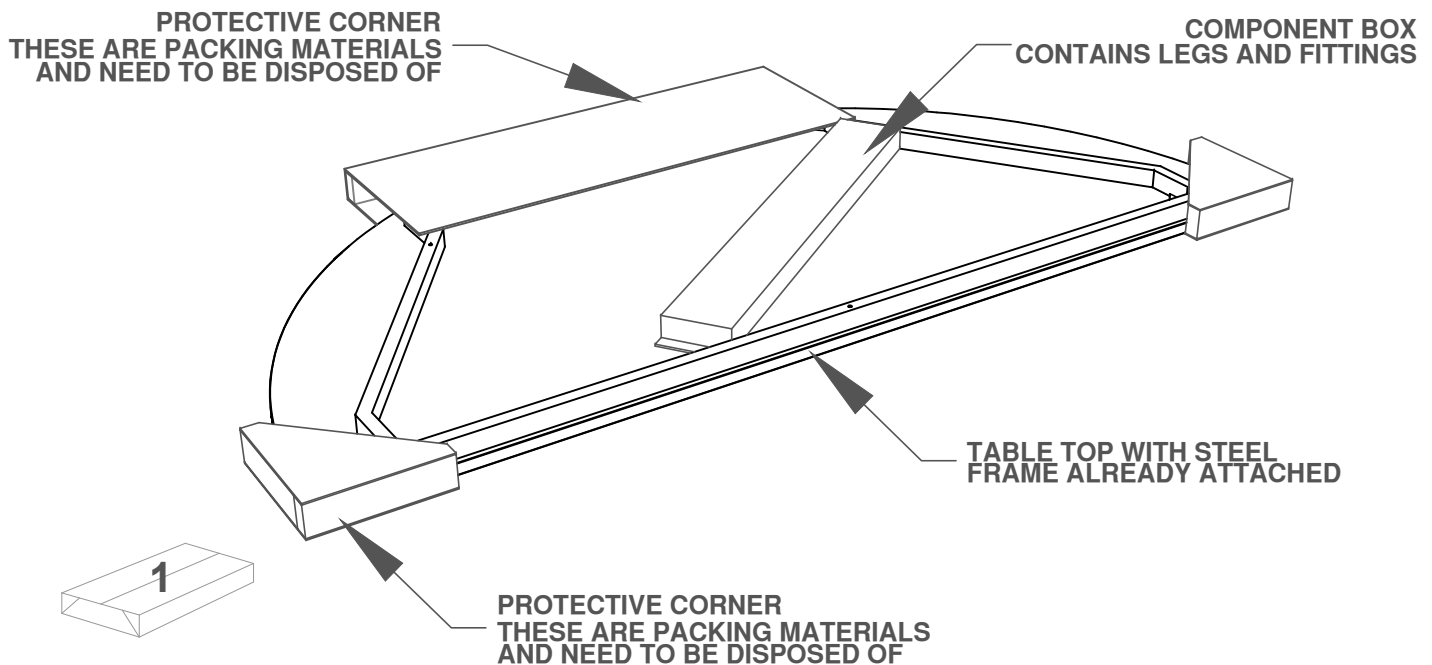
4

PERIODICALLY CHECK THAT ALL FIXINGS ARE STILL TIGHT AND TIGHTEN UP ANY LOOSE FIXINGS.

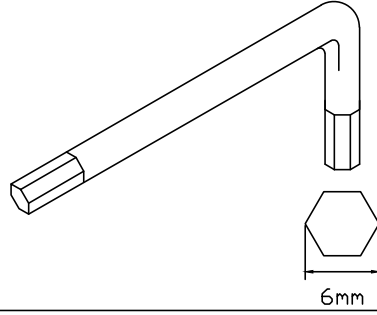
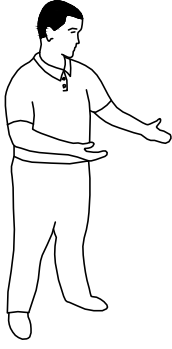
FLXGS / FLXSS



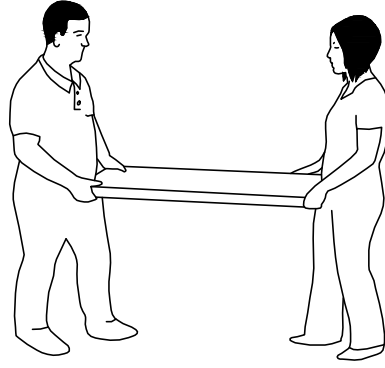
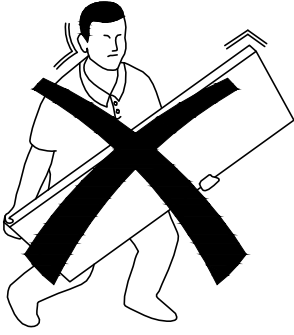
Carton Contents



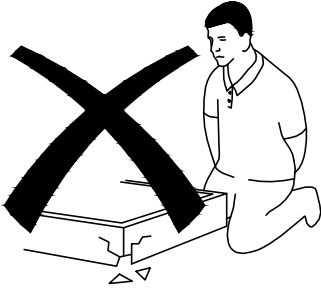
TOOLS REQUIRED FOR ASSEMBLY



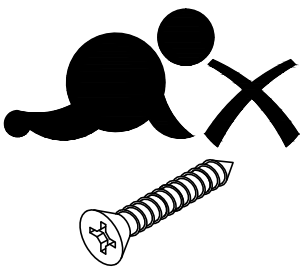
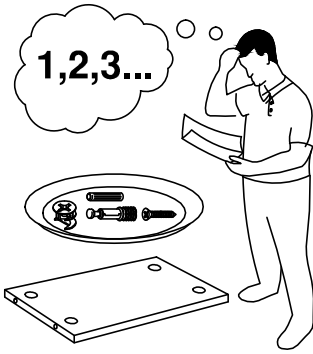
DONT STRUGGLE 2 MAN LIFT



ALWAYS HANDLE ITEMS WITH CARE

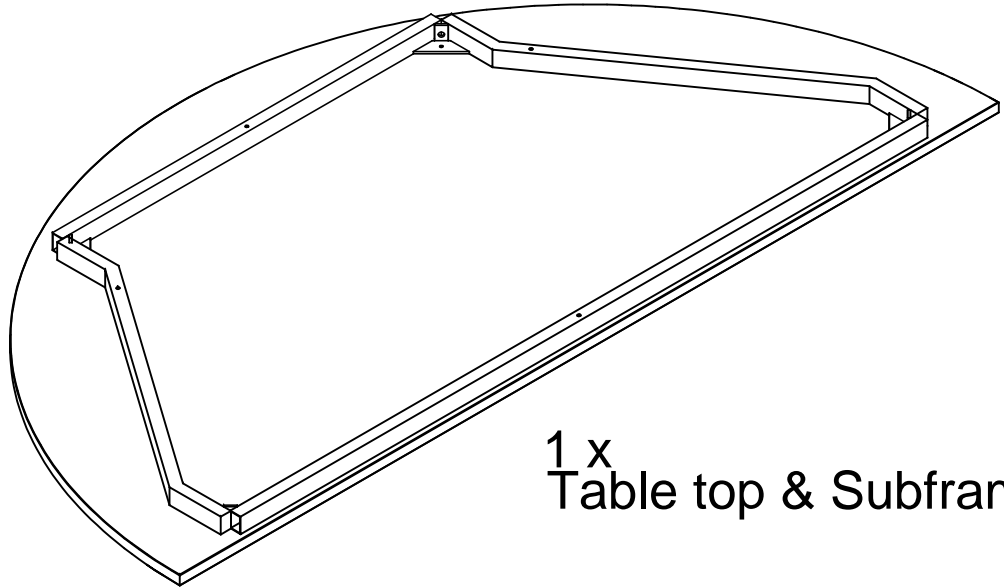
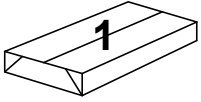


IF UNSURE CALL FOR ASSISTANCE

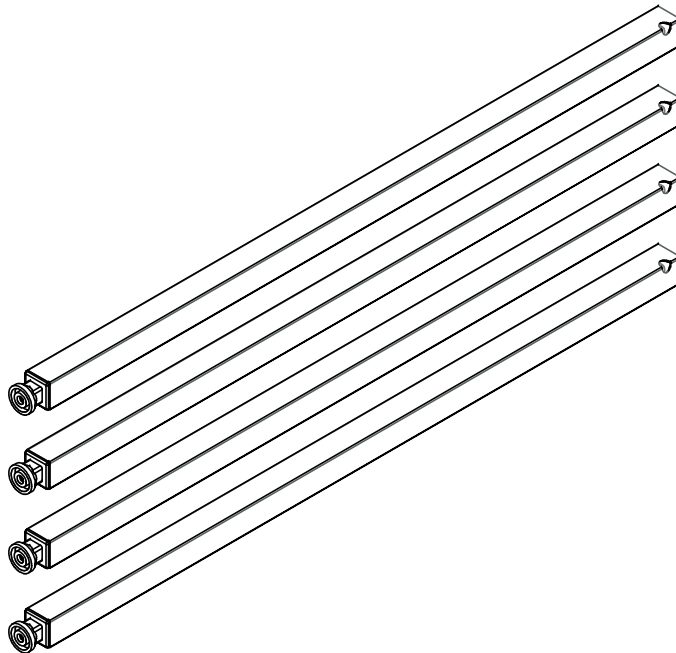




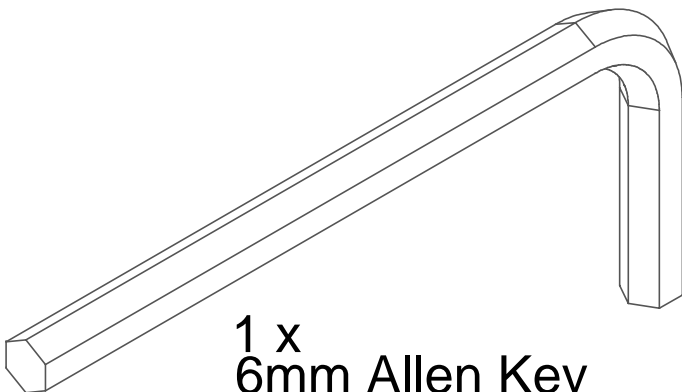
Please check that you have all the components



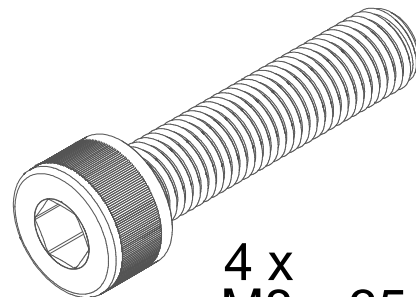
1 x
Table top & Subframe



4 x
Legs



1 x
6mm Allen Key

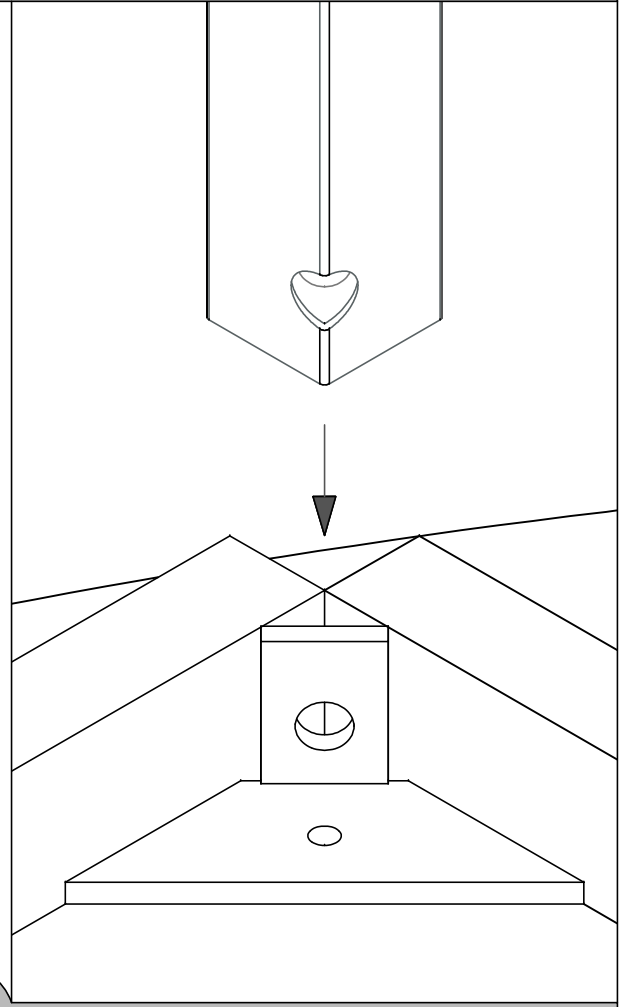
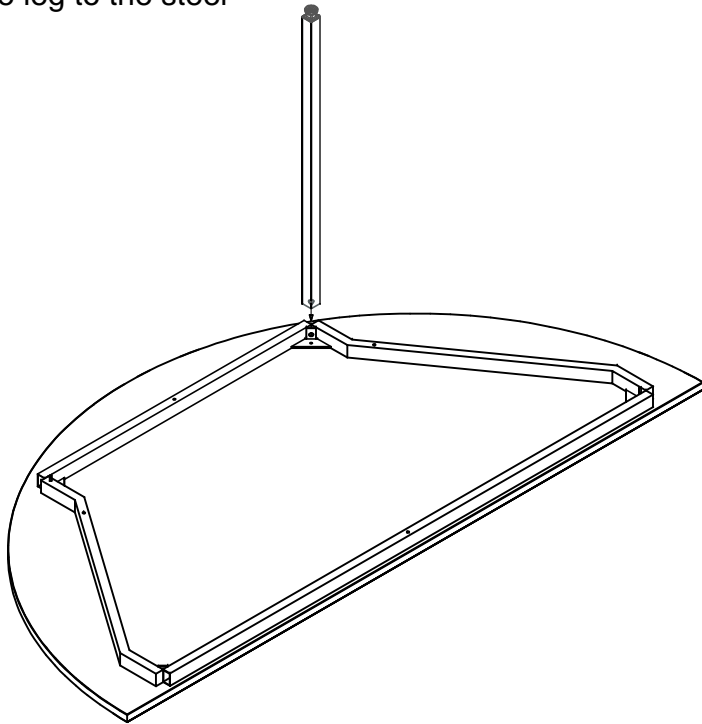


4 x
M8 x 35mm Bolt

1

Step 1

Line up the leg to the steel subframe.

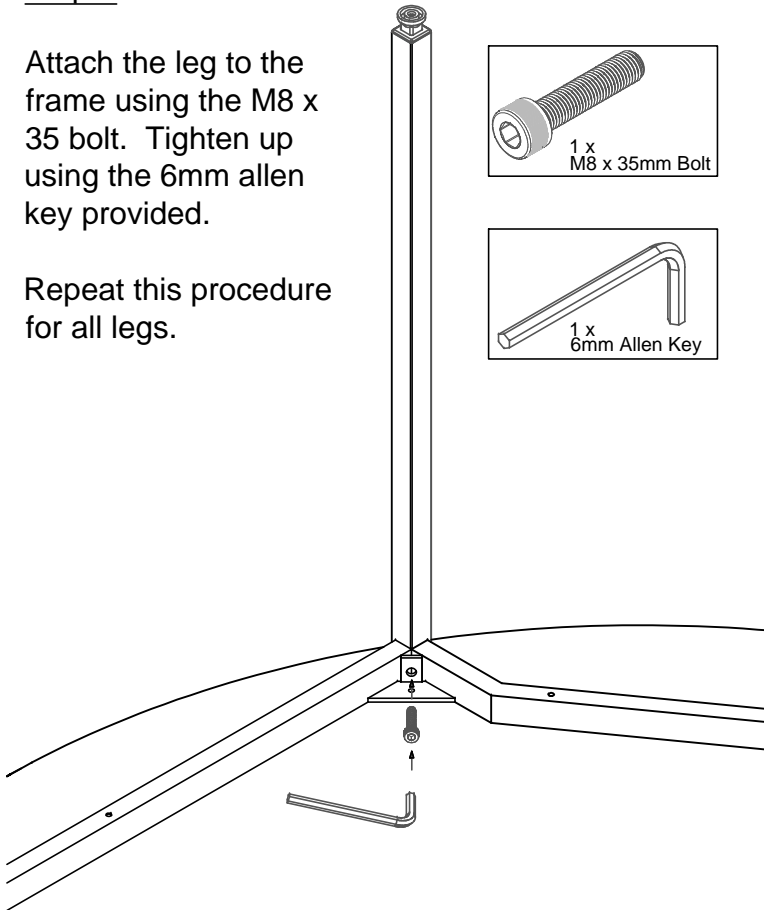


2

Step 2

Attach the leg to the frame using the M8 x 35 bolt. Tighten up using the 6mm allen key provided.

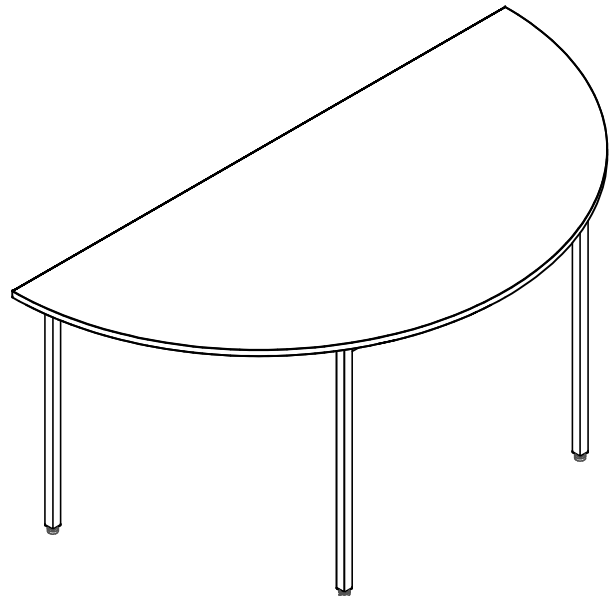
Repeat this procedure for all legs.



3

Step 3

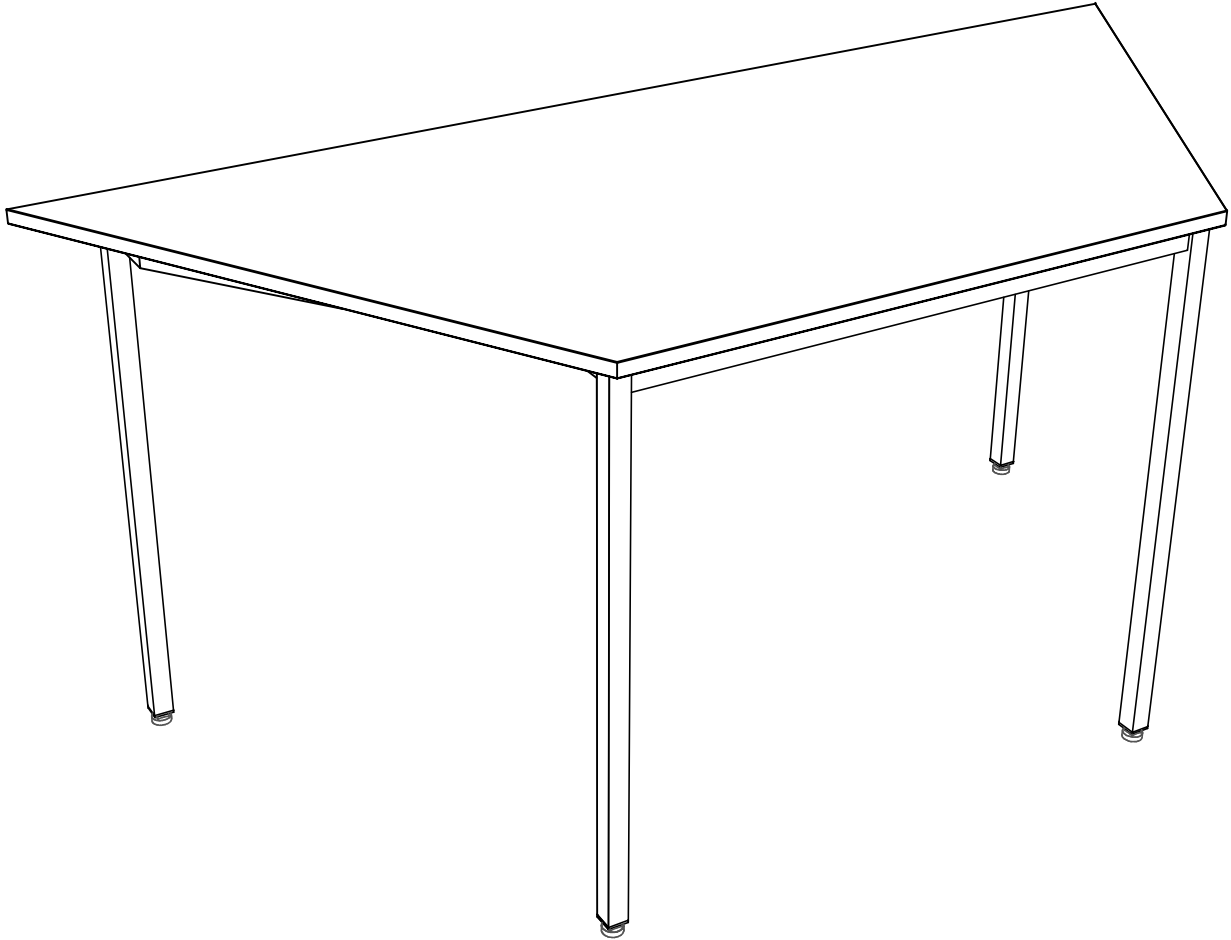
Once all legs are attached turn the table upright, it is recommended that 2 people lift the table.



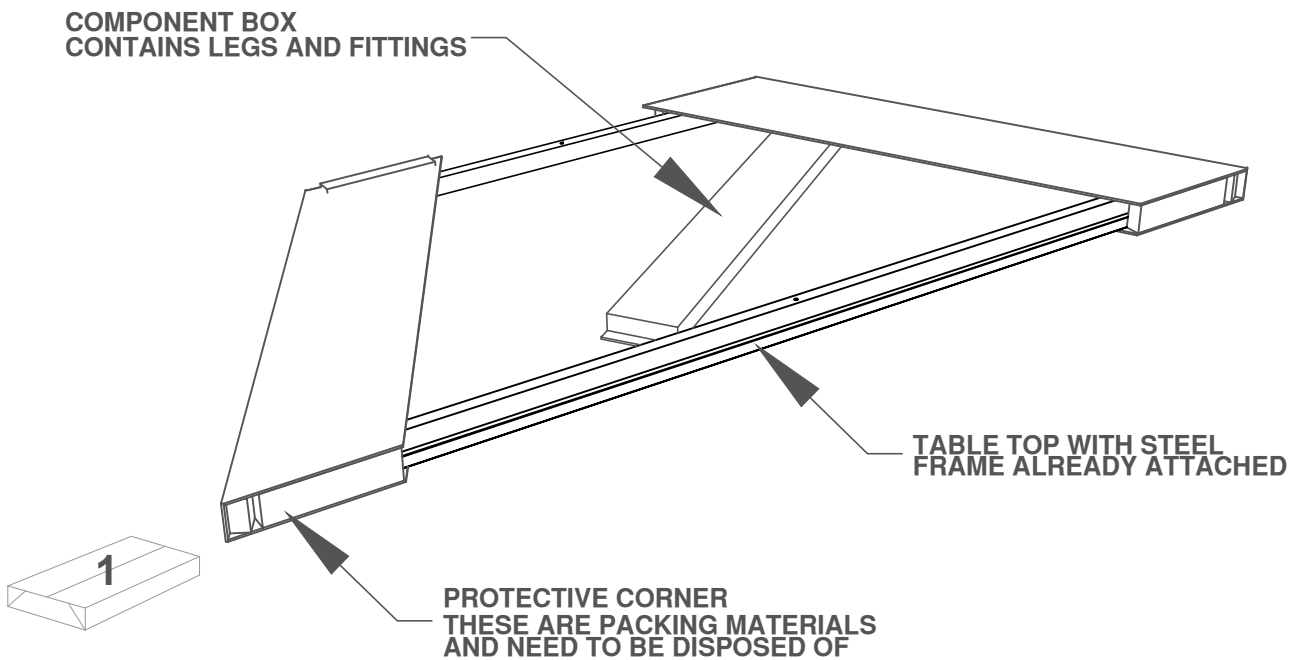
4

PERIODICALLY CHECK THAT ALL FIXINGS ARE STILL TIGHT AND TIGHTEN UP ANY LOOSE FIXINGS.

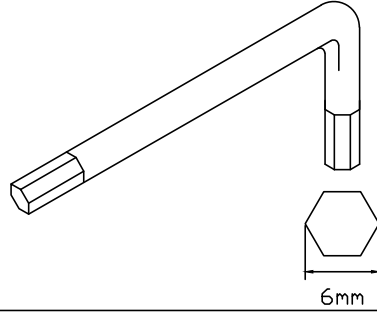
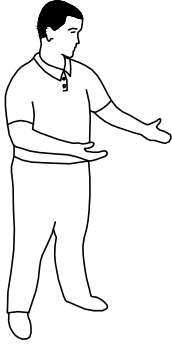
FLXGT / FLXST



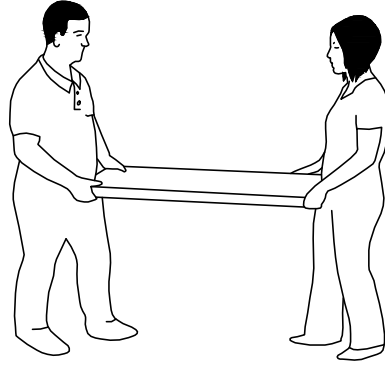
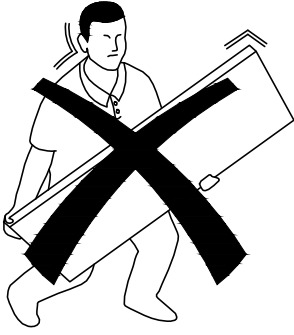
Carton Contents



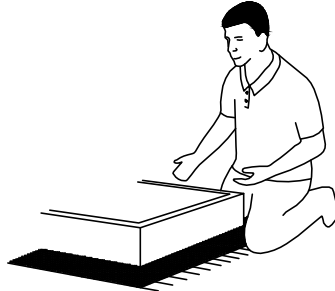
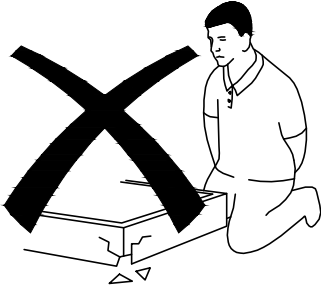
TOOLS REQUIRED FOR ASSEMBLY



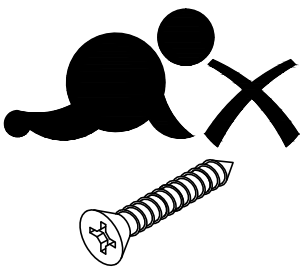
DONT STRUGGLE 2 MAN LIFT



ALWAYS HANDLE ITEMS WITH CARE

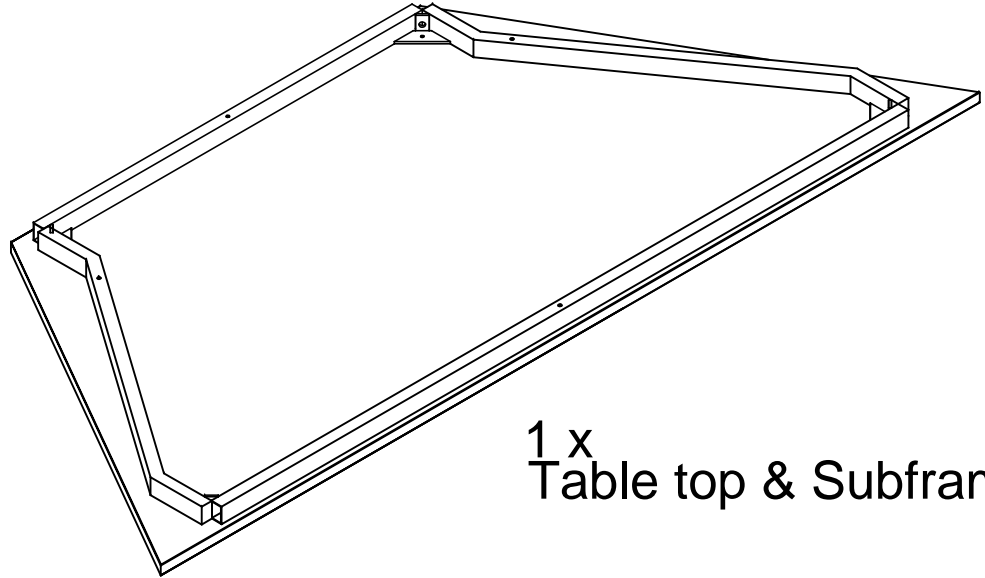
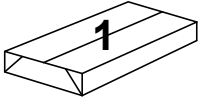


IF UNSURE CALL FOR ASSISTANCE

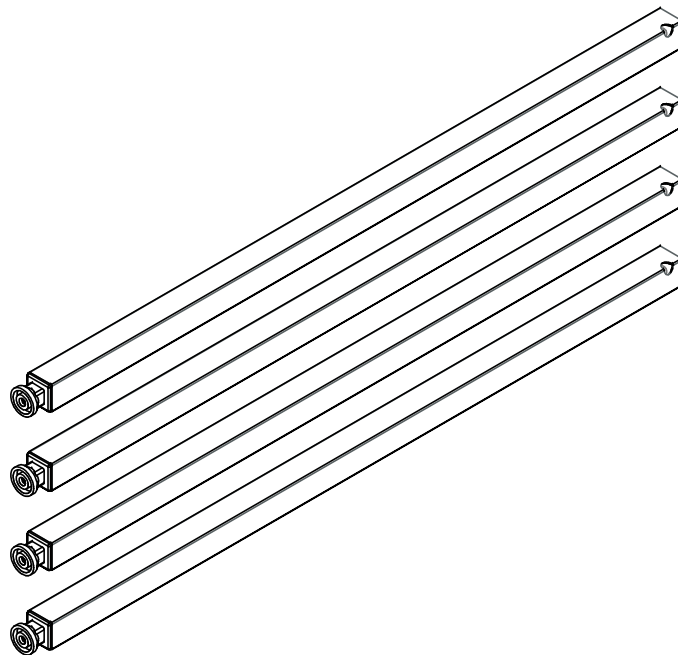




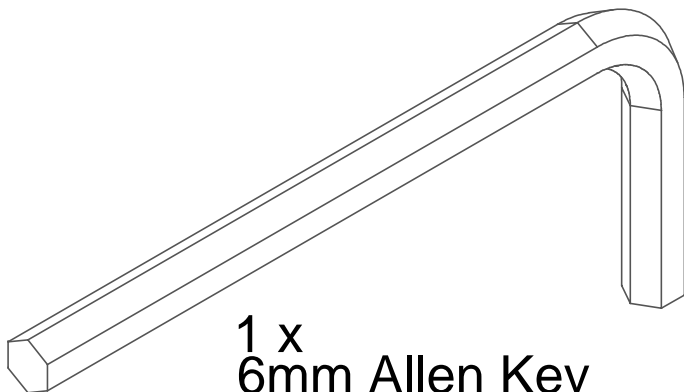
Please check that you have all the components



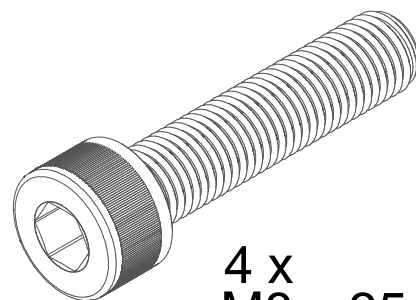
1 x
Table top & Subframe



4 x
Legs



1 x
6mm Allen Key

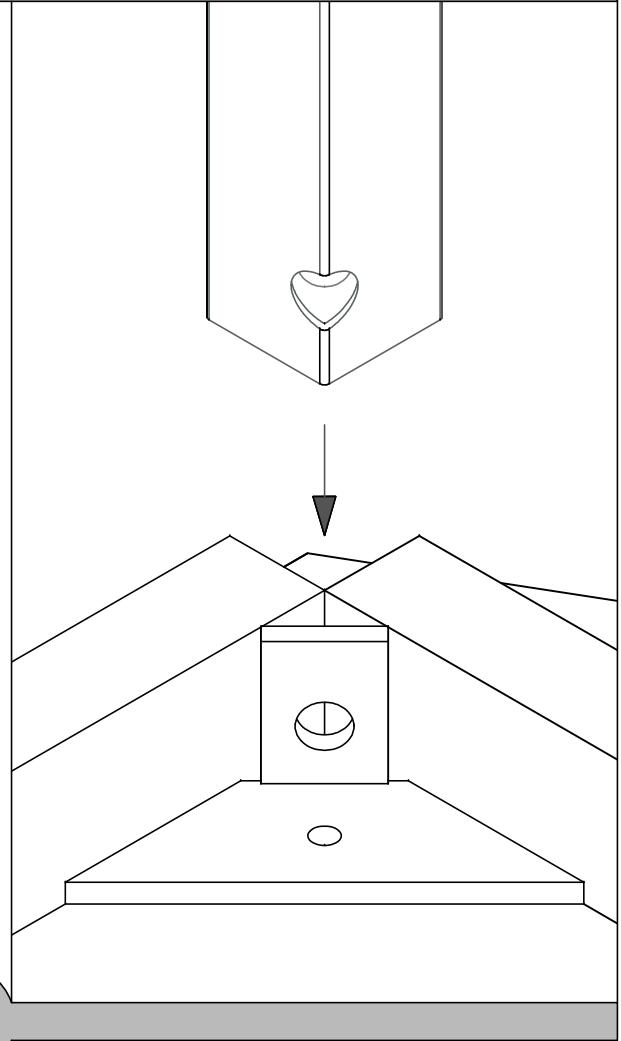
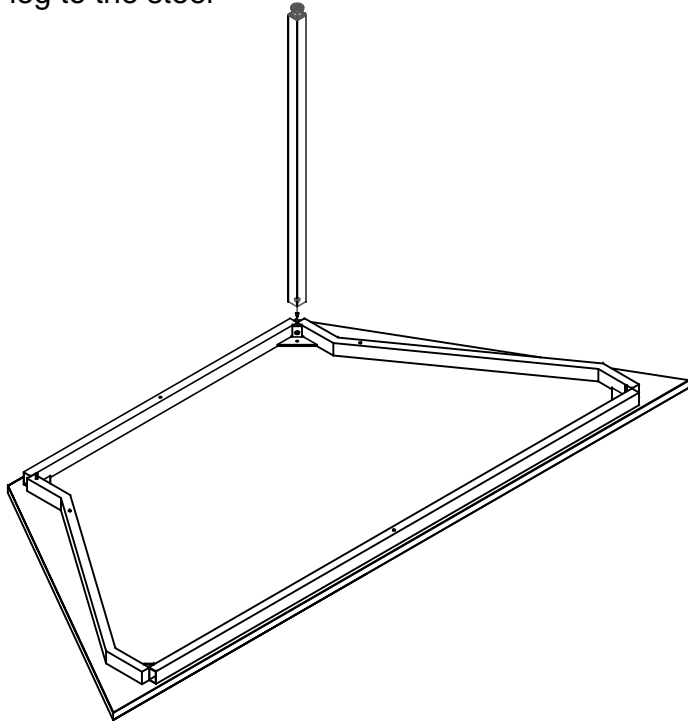


4 x
M8 x 35mm Bolt

1

Step 1

Line up the leg to the steel subframe.

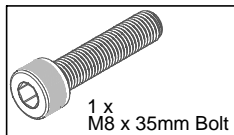
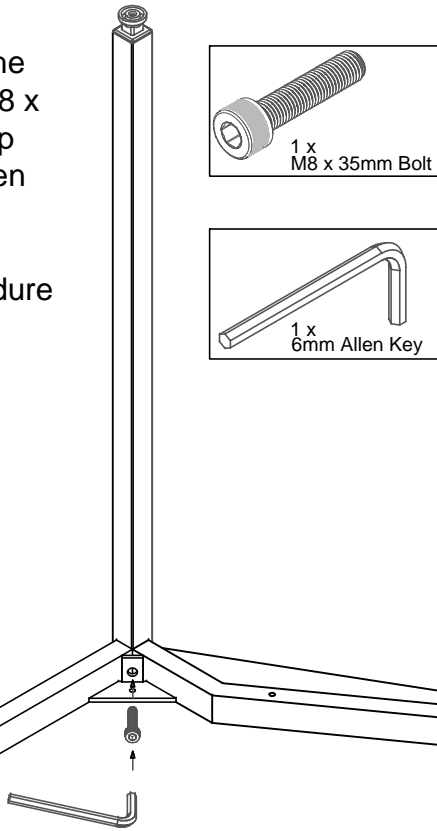


2

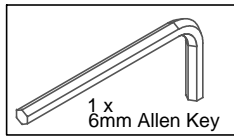
Step 2

Attach the leg to the frame using the M8 x 35 bolt. Tighten up using the 6mm allen key provided.

Repeat this procedure for all legs.



1 x
M8 x 35mm Bolt

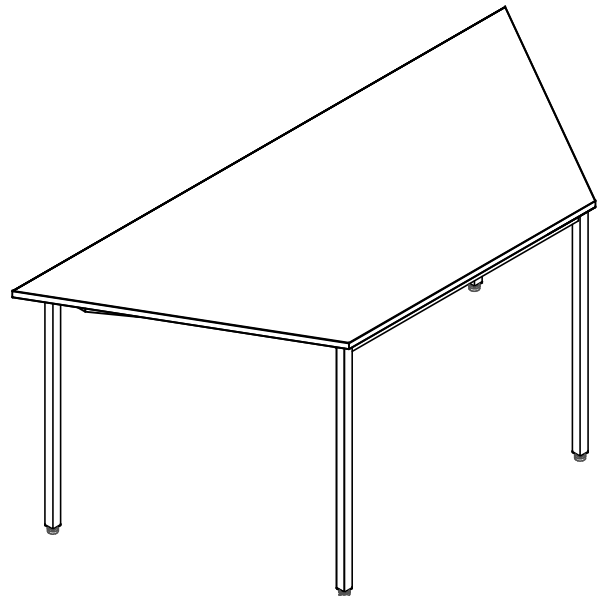


1 x
6mm Allen Key

3

Step 3

Once all legs are attached turn the table upright, it is recommended that 2 people lift the table.



4

PERIODICALLY CHECK THAT ALL FIXINGS ARE STILL TIGHT AND TIGHTEN UP ANY LOOSE FIXINGS.