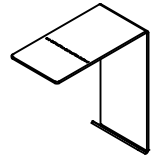
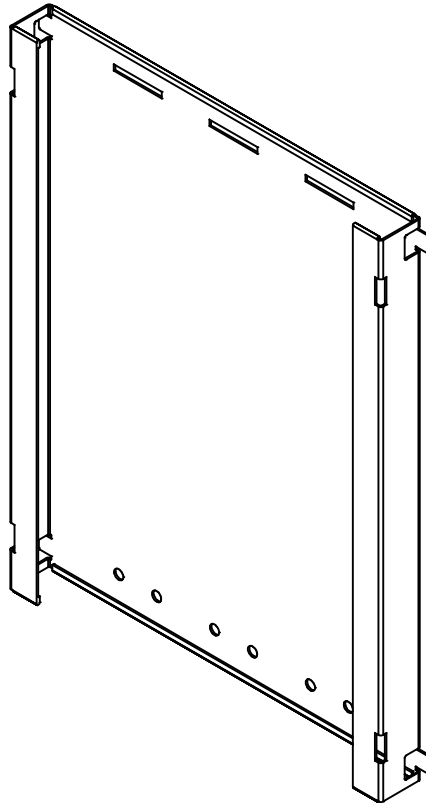
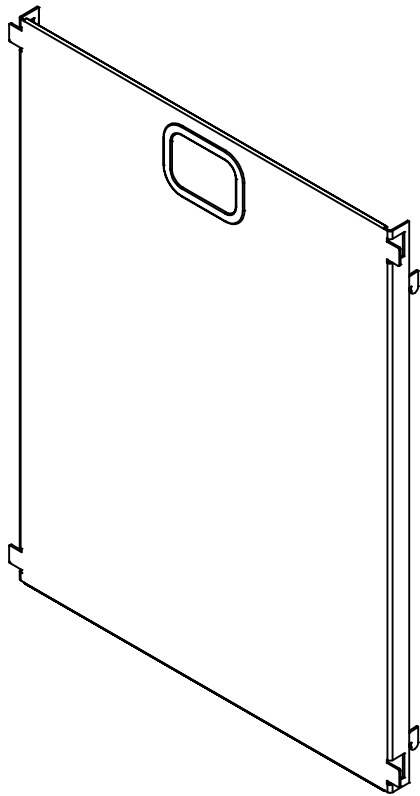
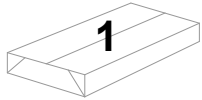


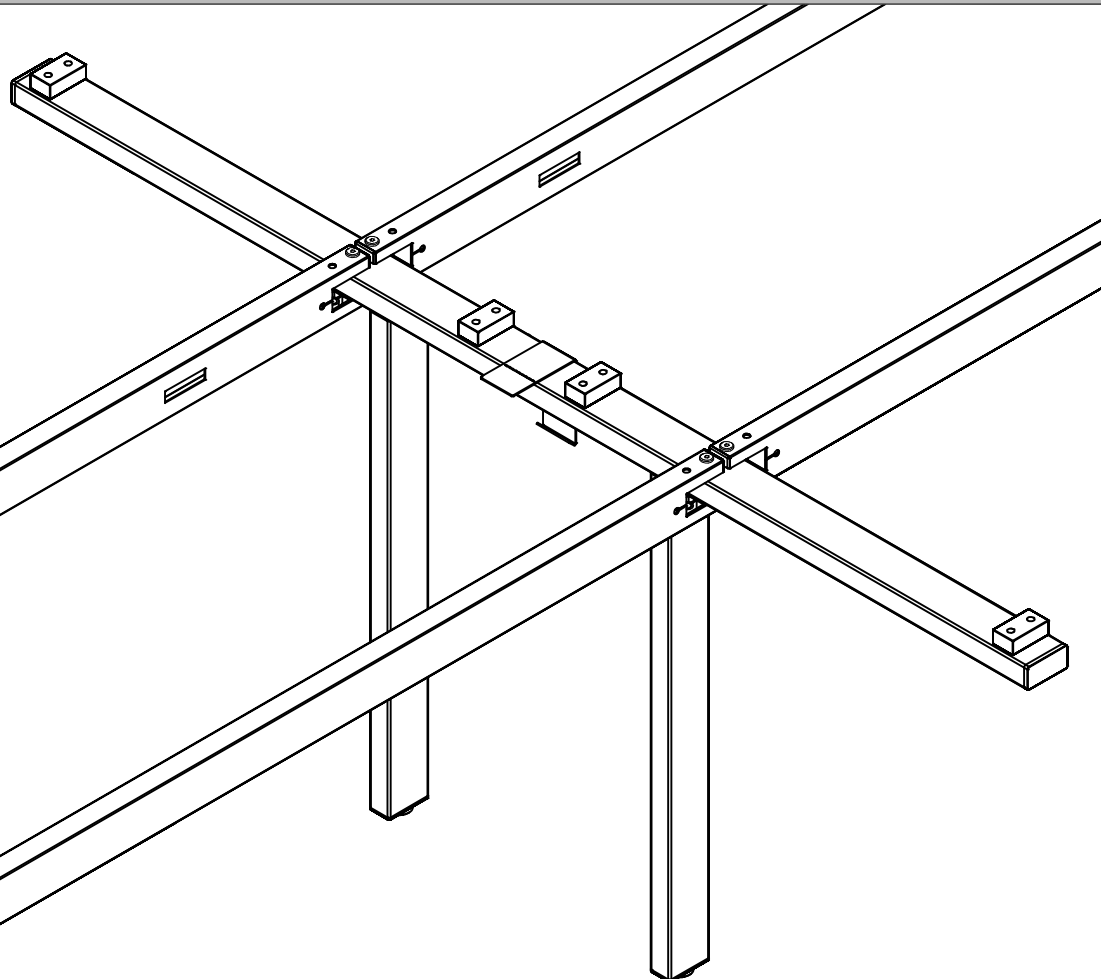


Please check that you have all the fittings!



1

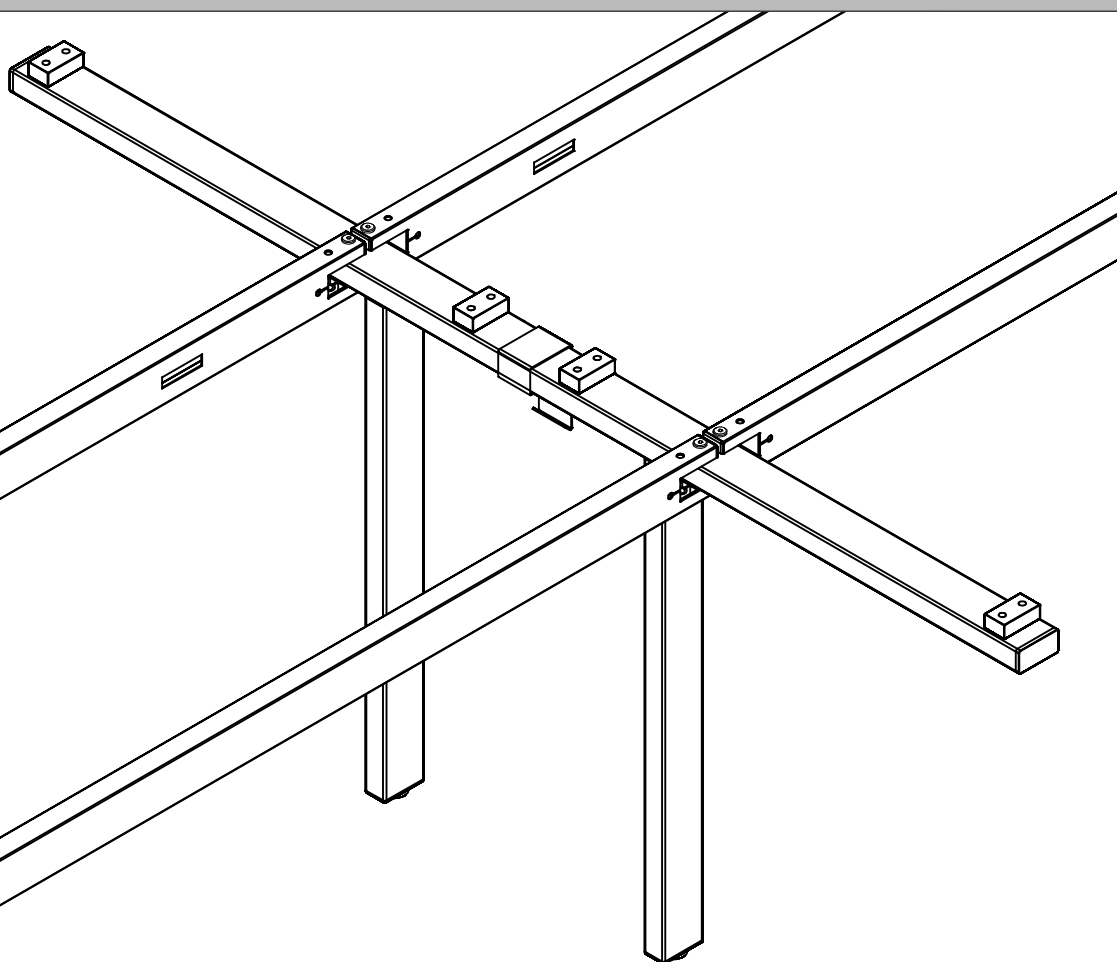
Step 1
Position the bracket over
the intermediate leg
centrally between the two
spacer blocks.



2

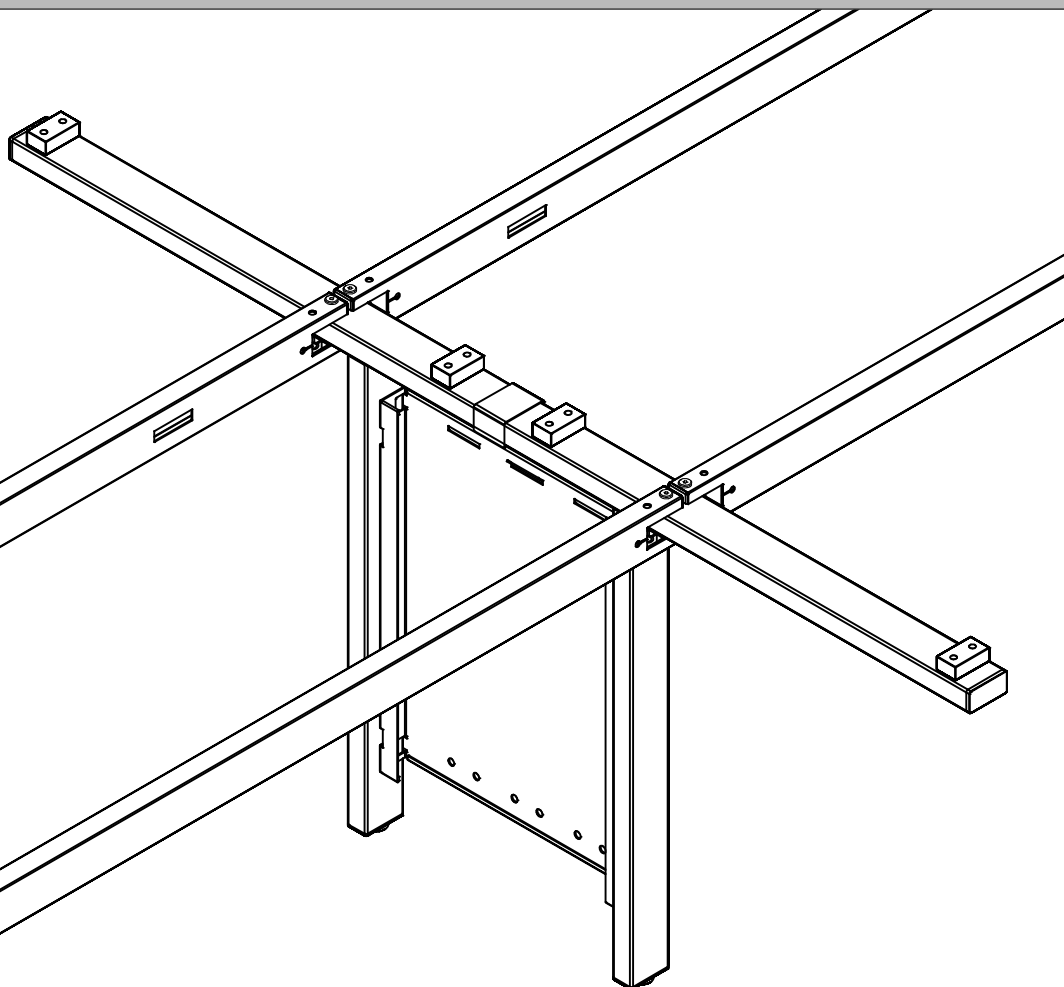
2

Step 2
Bend the bracket along the perforated line to hold in place.



3

Step 3
Hang the cable riser back on the mounting bracket using the middle slot.



4

Step 4
Insert your cables into the cable riser and attach the cable riser front panel.

