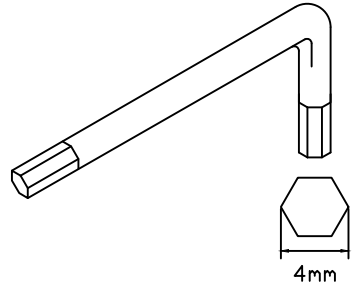
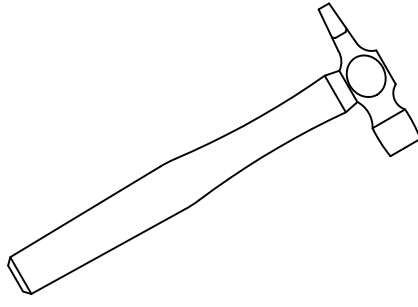
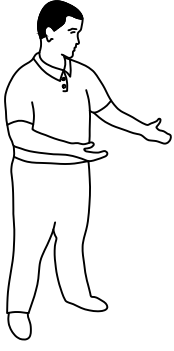
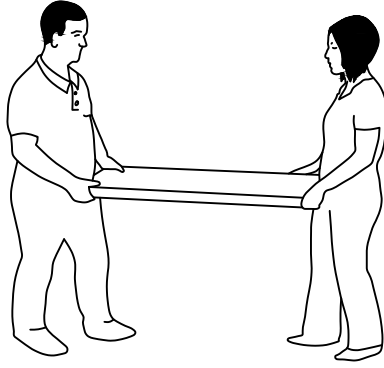
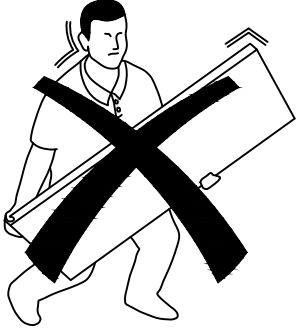


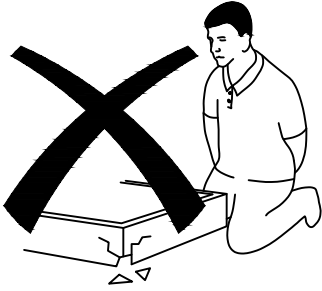
**TOOLS REQUIRED
FOR ASSEMBLY**



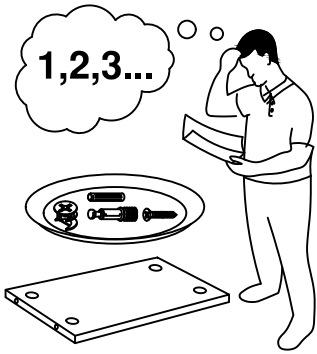
**DONT STRUGGLE
2 MAN LIFT**



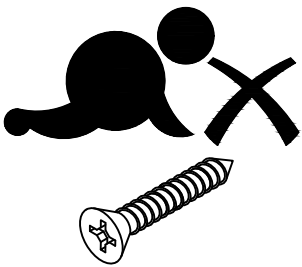
**ALWAYS HANDLE
ITEMS WITH CARE**



**IF UNSURE CALL
FOR ASSISTANCE**

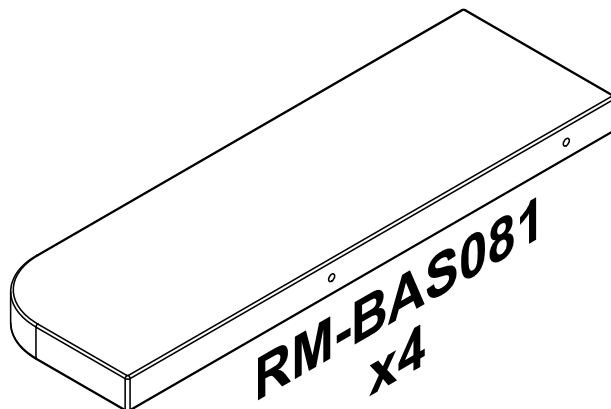
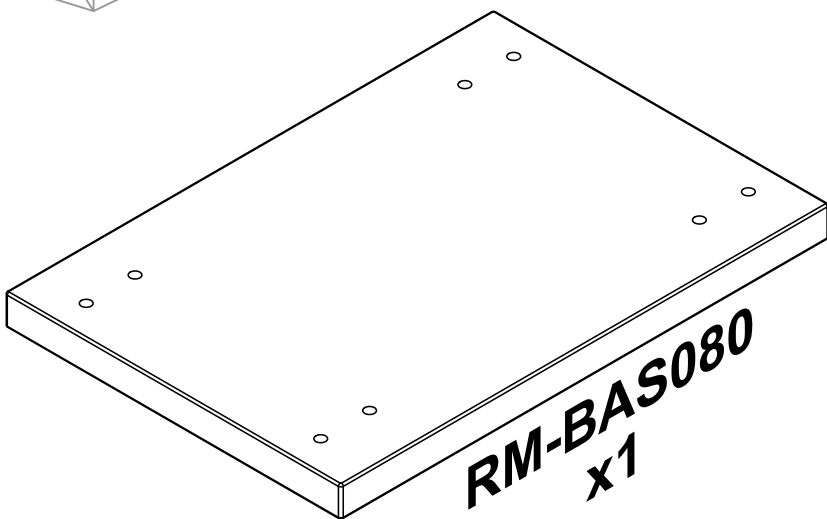


**KEEP FITTINGS AWAY
FROM CHILDREN**



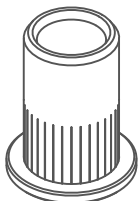


Please check that you have all the panels!



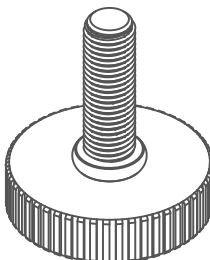
Please check that you have all the hardware!

M8 Gesipa Insert
RM-NUT04



x4

M8 Low Profile Foot
RM-FRL36



x4

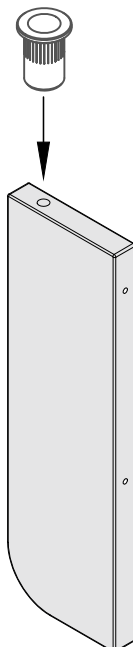
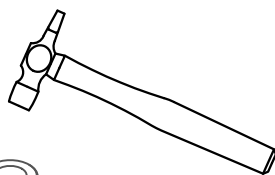
Confirmat Screw 70mm
RM-CFM04



x8

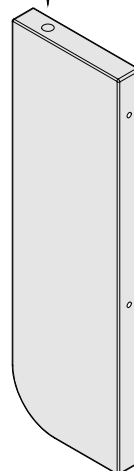
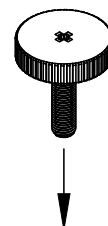
1

Step 1
Knock in the gesipa inserts into the holes on the bottom edge of the leg. Repeat for all four legs.

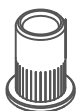


2

Step 2
Screw the 25mm adjustable foot into the bottom of the leg. Repeat for all four legs.

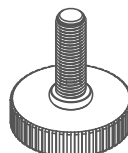


M8 Gesipa Insert
RM-NUT04



x4

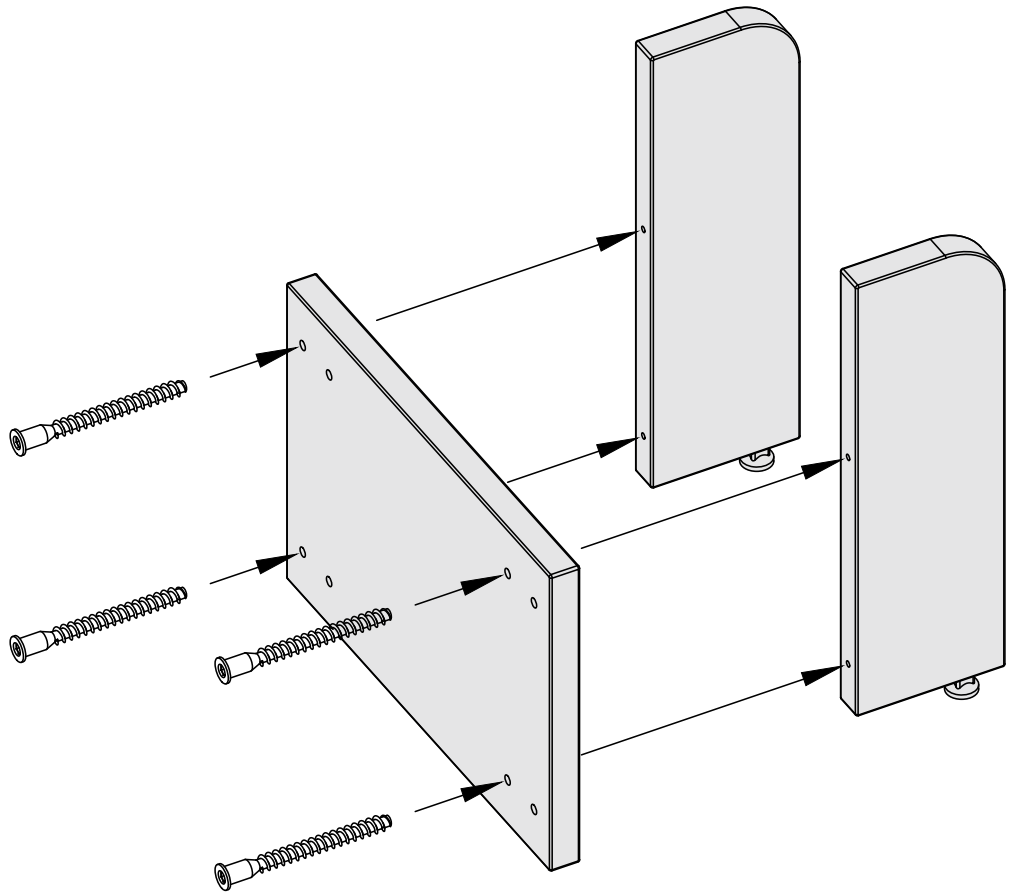
M8 Low Profile Foot
RM-FRL36



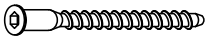
x4

3

Step 3
Attach 2 of the legs to the partition using the 70mm confirmat screws.



Confirmat Screw 70mm
RM-CFM04



x4

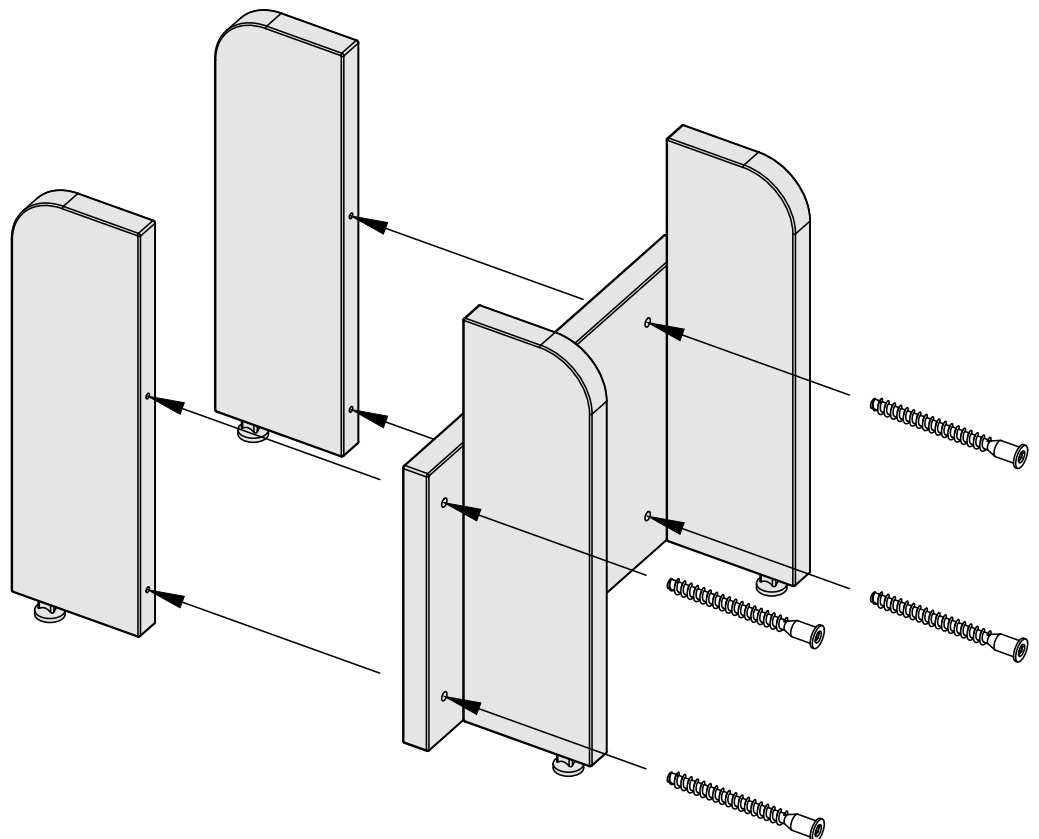
4

Step 4
Attach the remaining legs to the partition using the confirmat screws.

Please Note

When using this screen base with a fabric panel screen you may need to loosen off the screws slightly to insert the screen panel.

Once the panel is inserted the screws can be re tightened to clamp the screen in place.



Confirmat Screw 70mm
RM-CFM04



x4