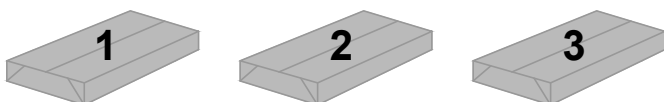
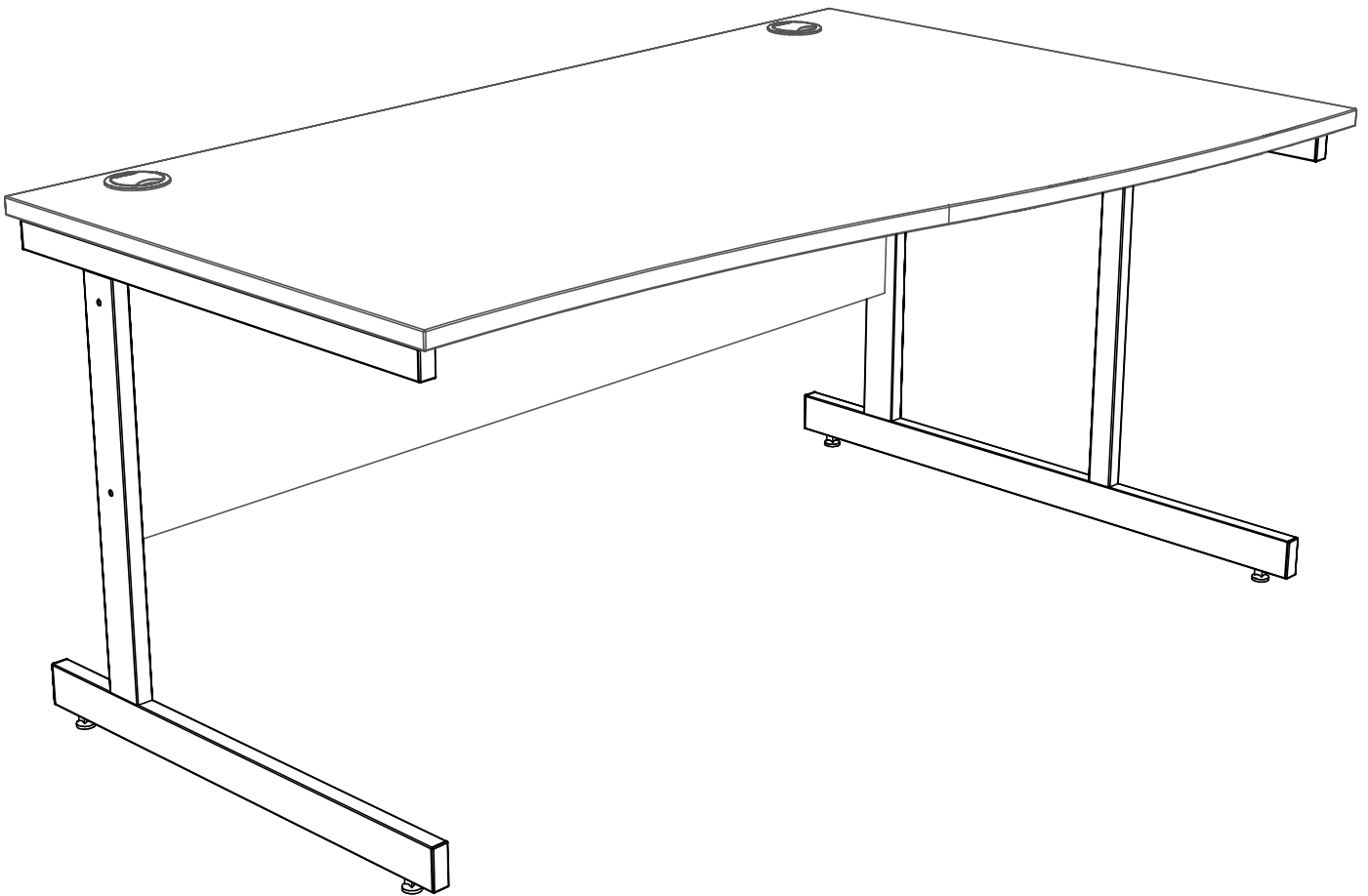
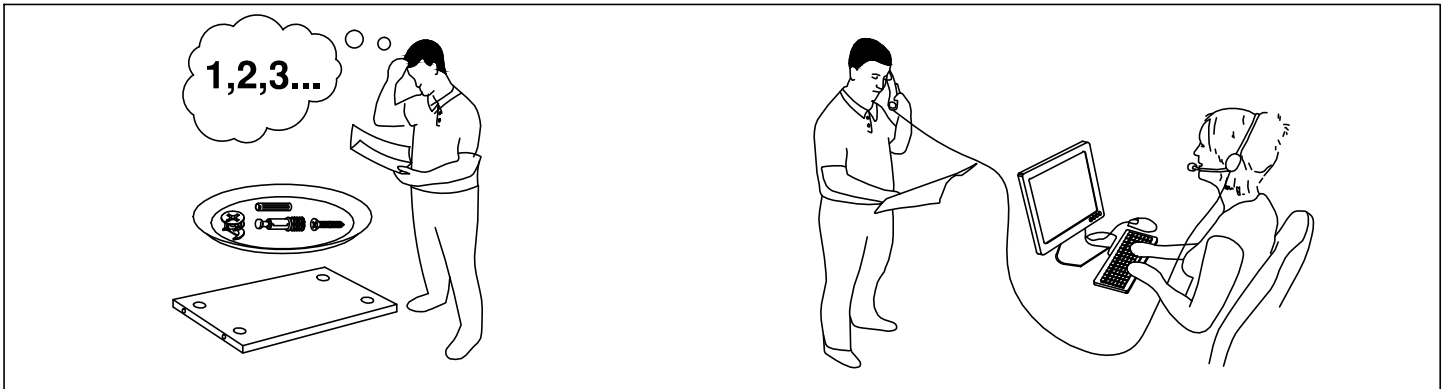
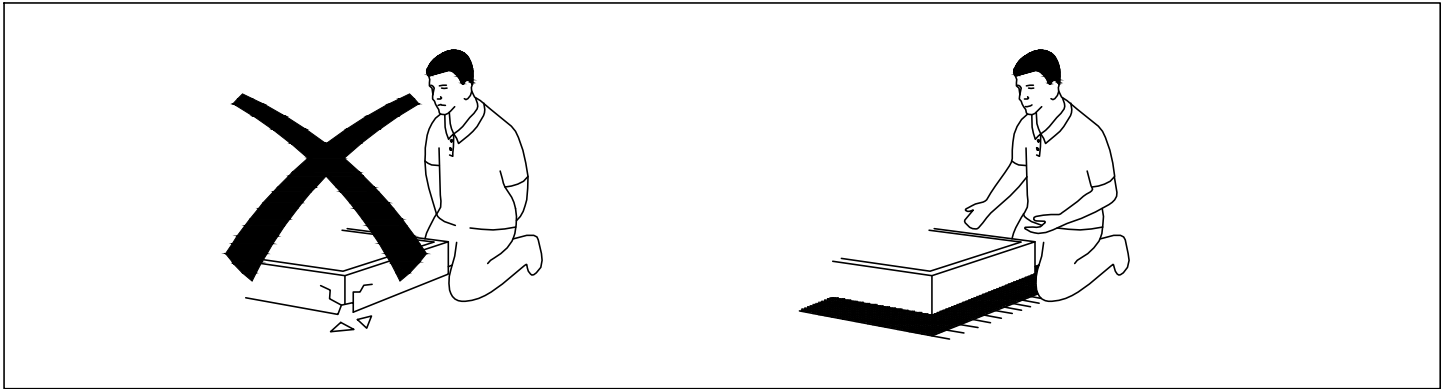
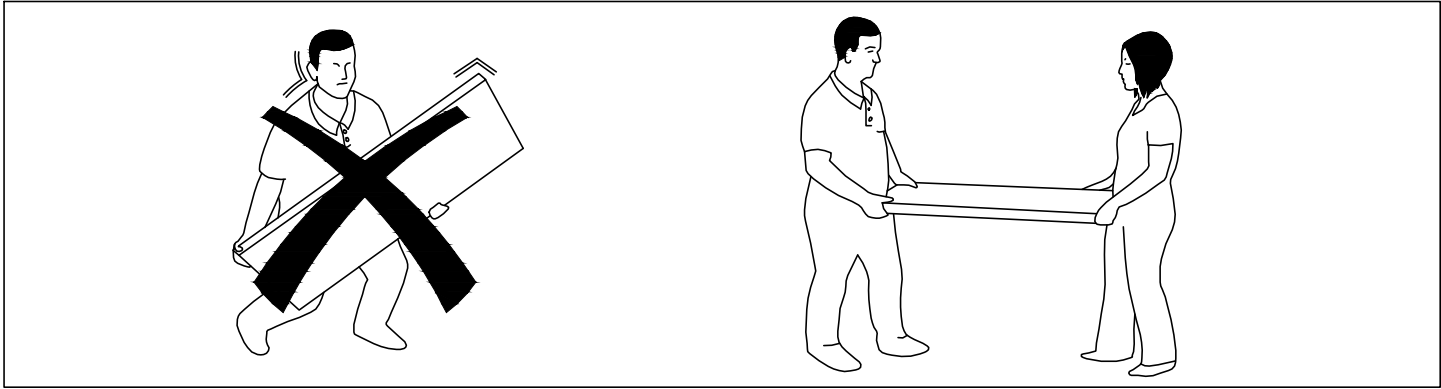
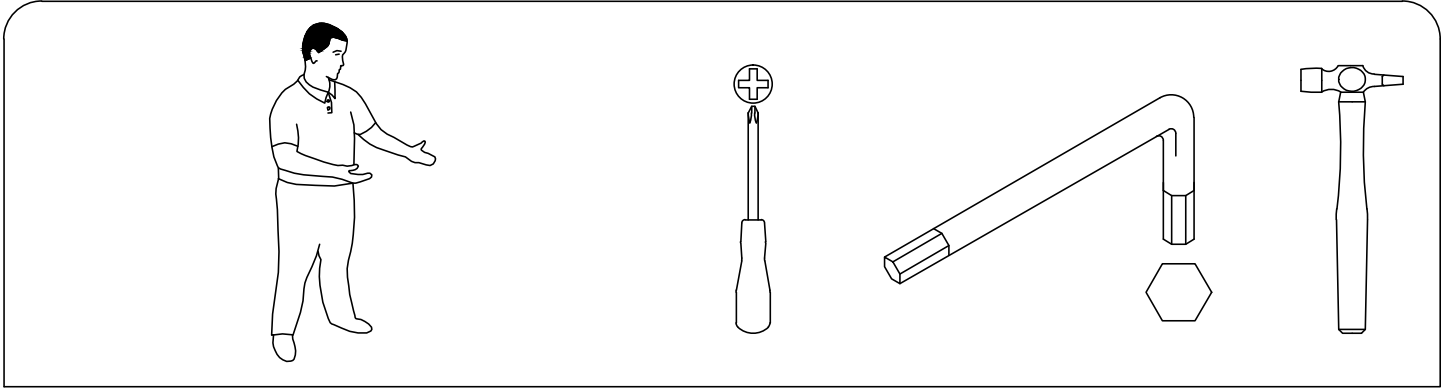
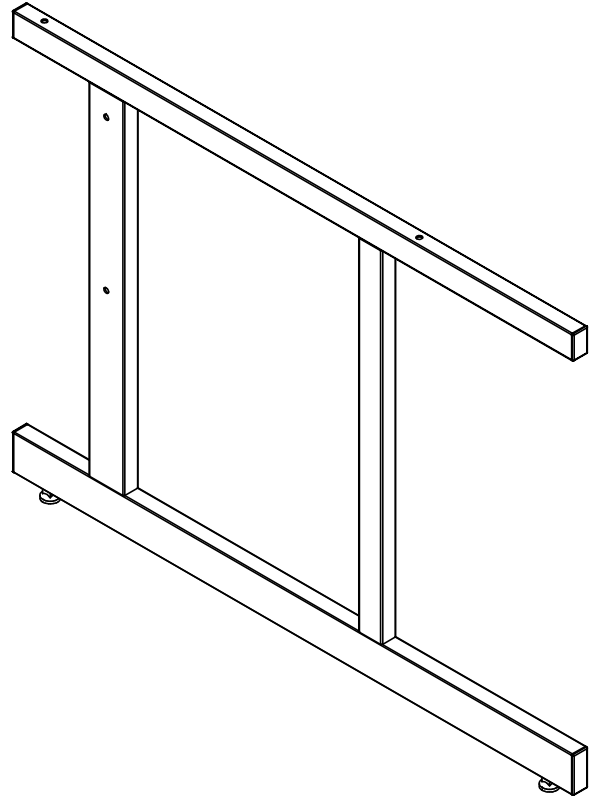
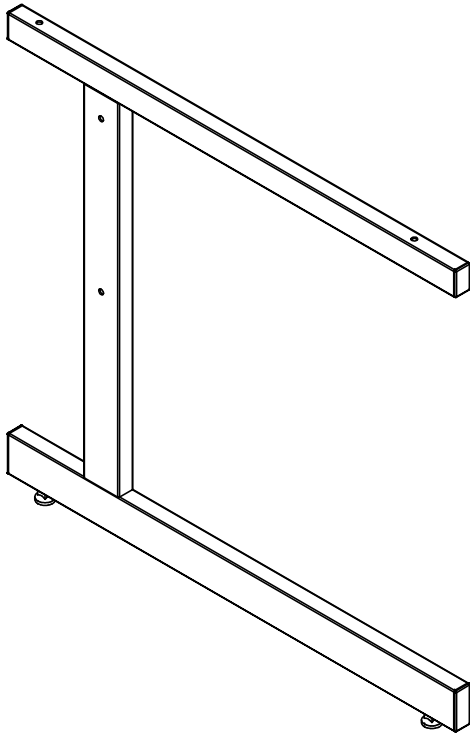
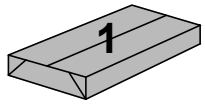


Contract Wave Desk CLFW

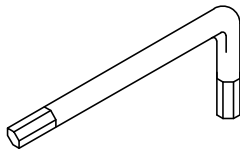




**Before disposing of any packaging
Please check that you have all the fittings!**



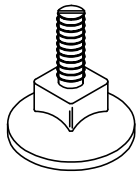
1 4mm Allen Key
RM-ALK01



4 Nylon M6x10 Socket
RM-PAR05



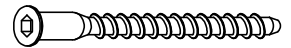
4 Adjustable Foot Dia 25mm
RM-FRL19



4 Ferrul 40x25
RM-FRL25 (Silver - CLFSS)
or
RM-FRL09 (Graphite - CLFSG)



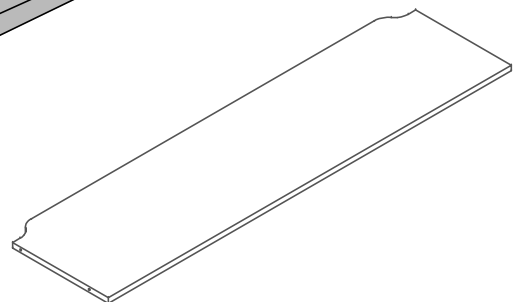
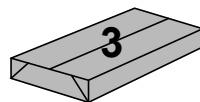
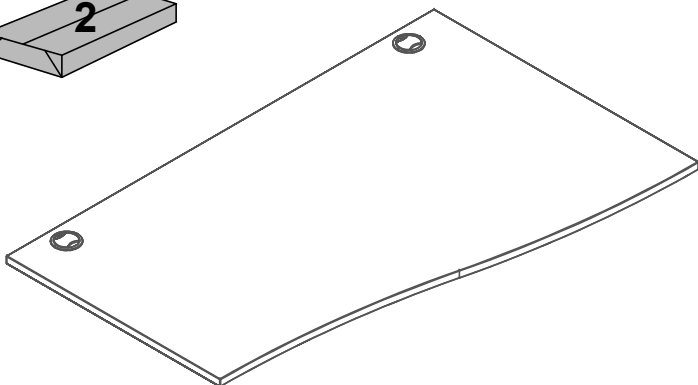
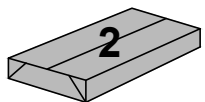
4 Confirmat Screw 70mm
RM-CFM02 (Black - CLFSG)
or
RM-CFM04 (Zinc - CLFSS)



4 Connect Bolt M6x50mm
RM-BLT05

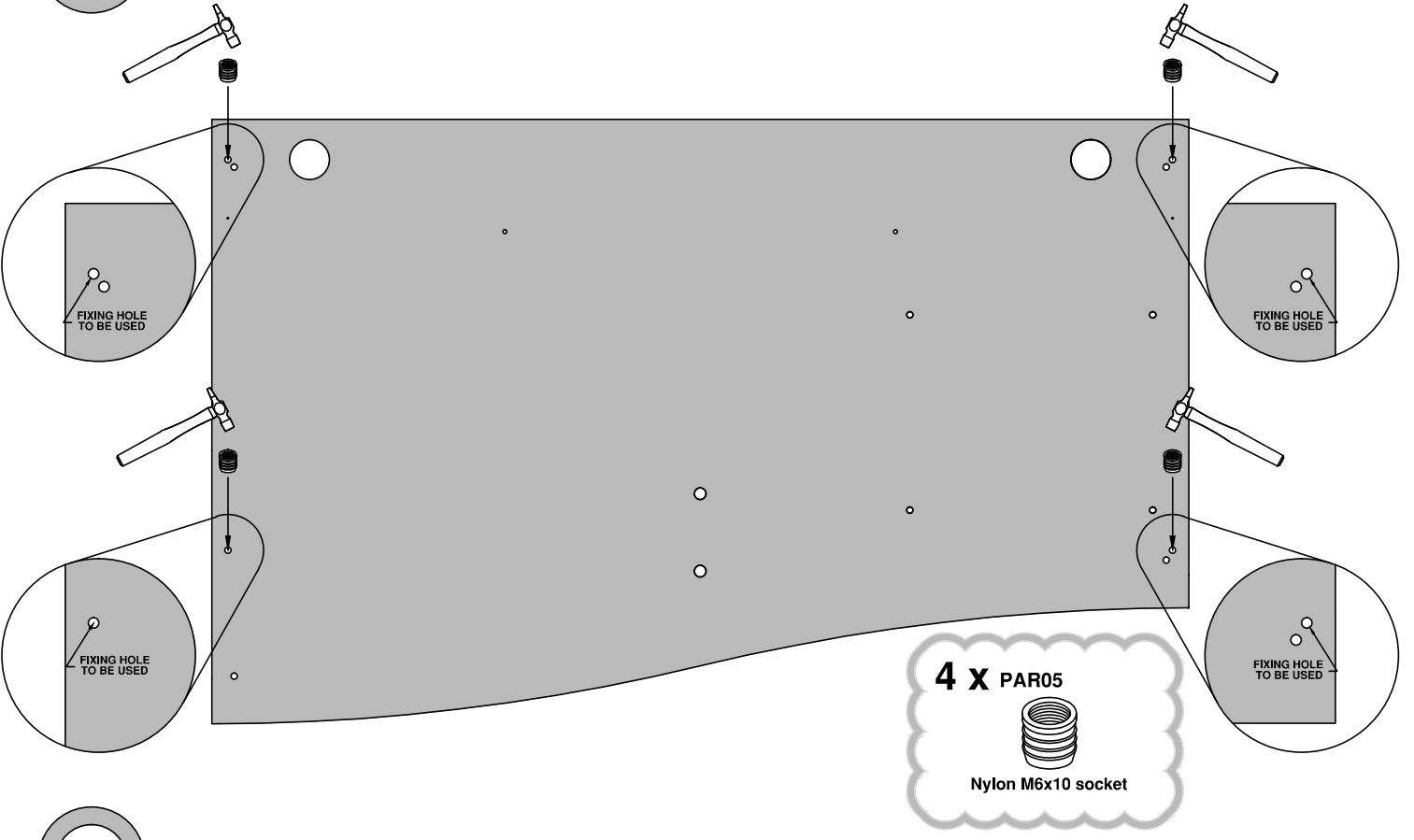


4 Ferrul 60x25
RM-FRL33 (Silver - CLFSS)
or
RM-FRL39 (Graphite - CLFSG)

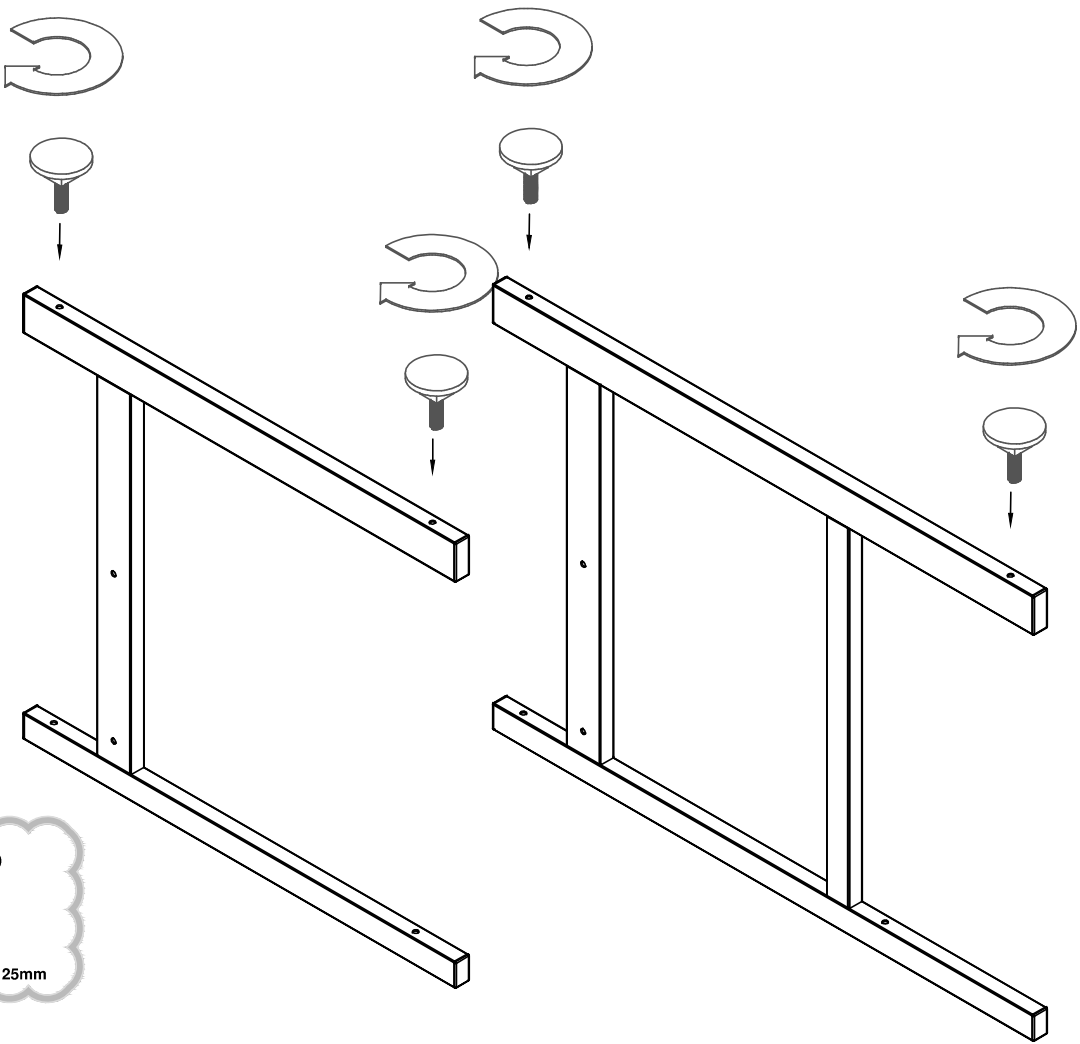


CABLE PORTS SUPPLIED WITH DESK TOP

1

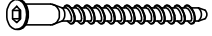


2

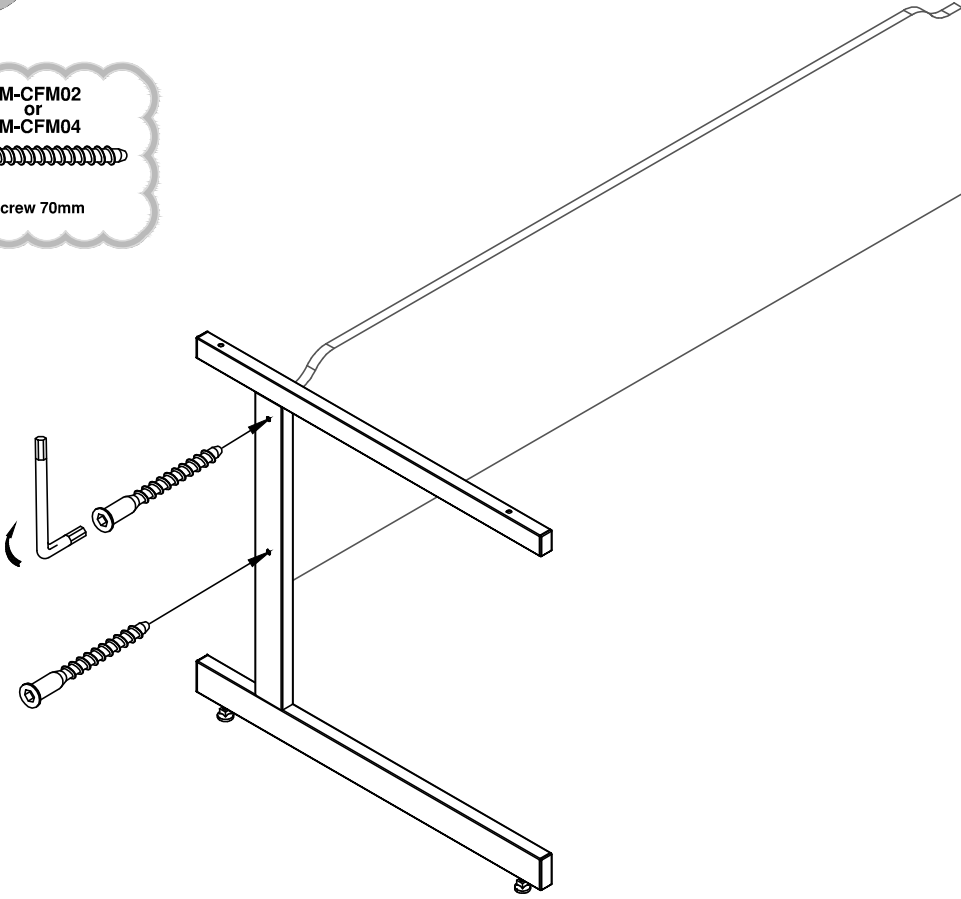


3

2 x RM-CFM02
or
RM-CFM04

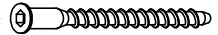


Confirmat Screw 70mm

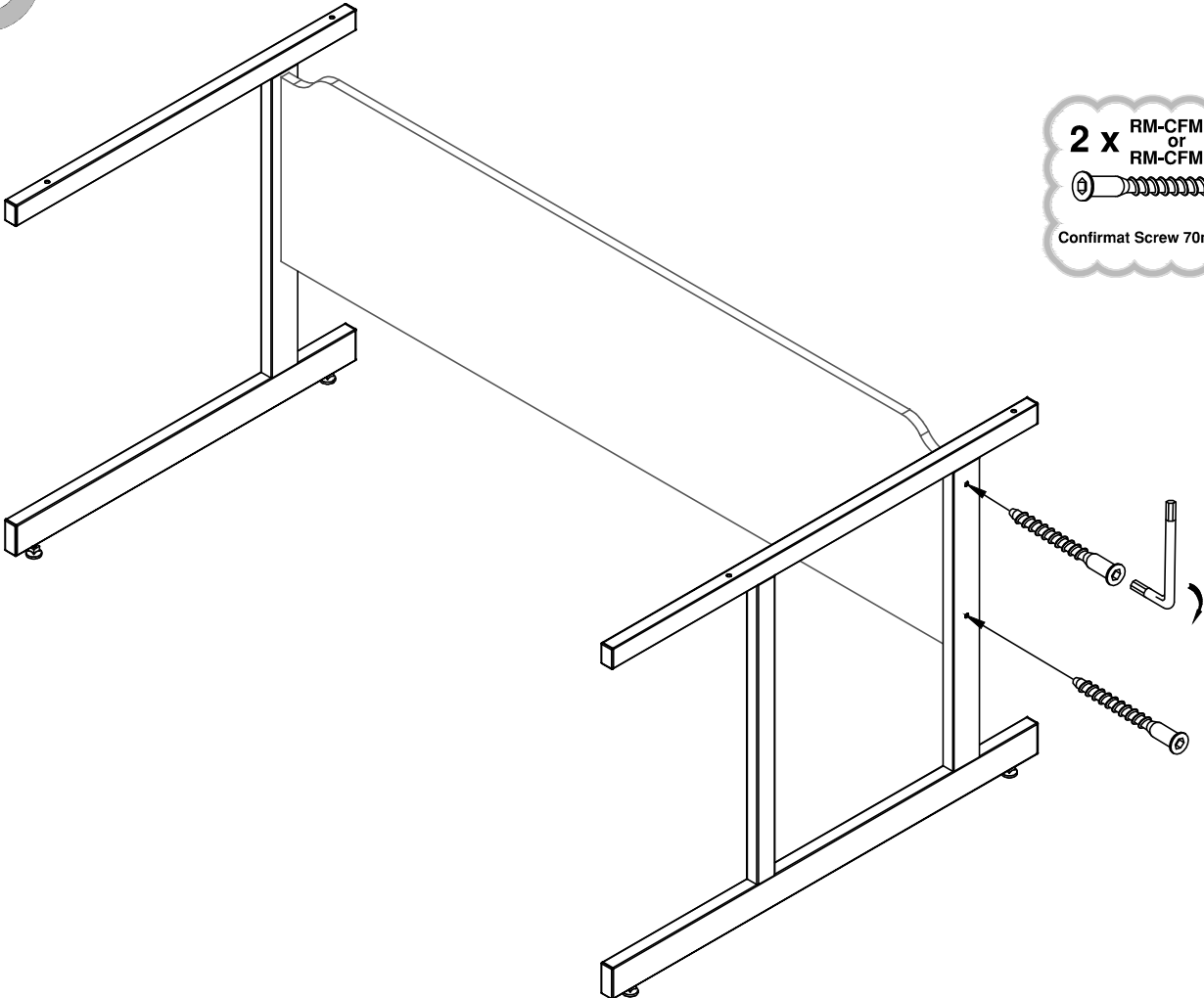


4

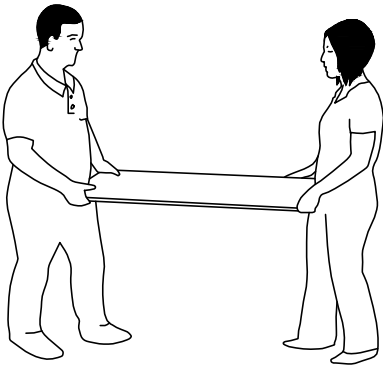
2 x RM-CFM02
or
RM-CFM04



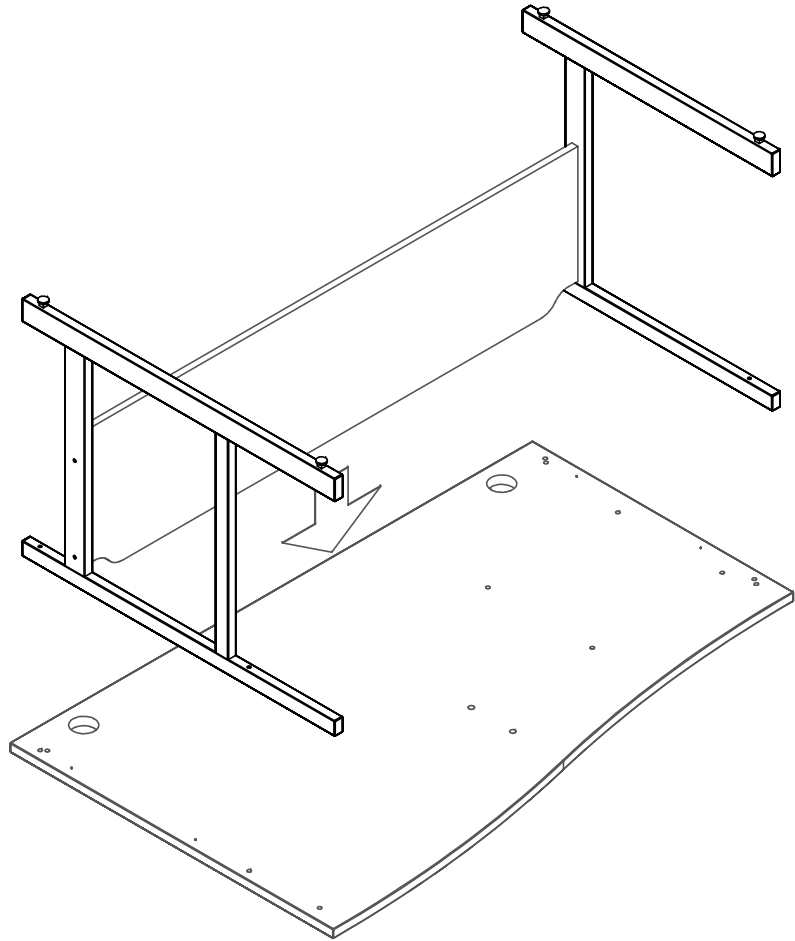
Confirmat Screw 70mm



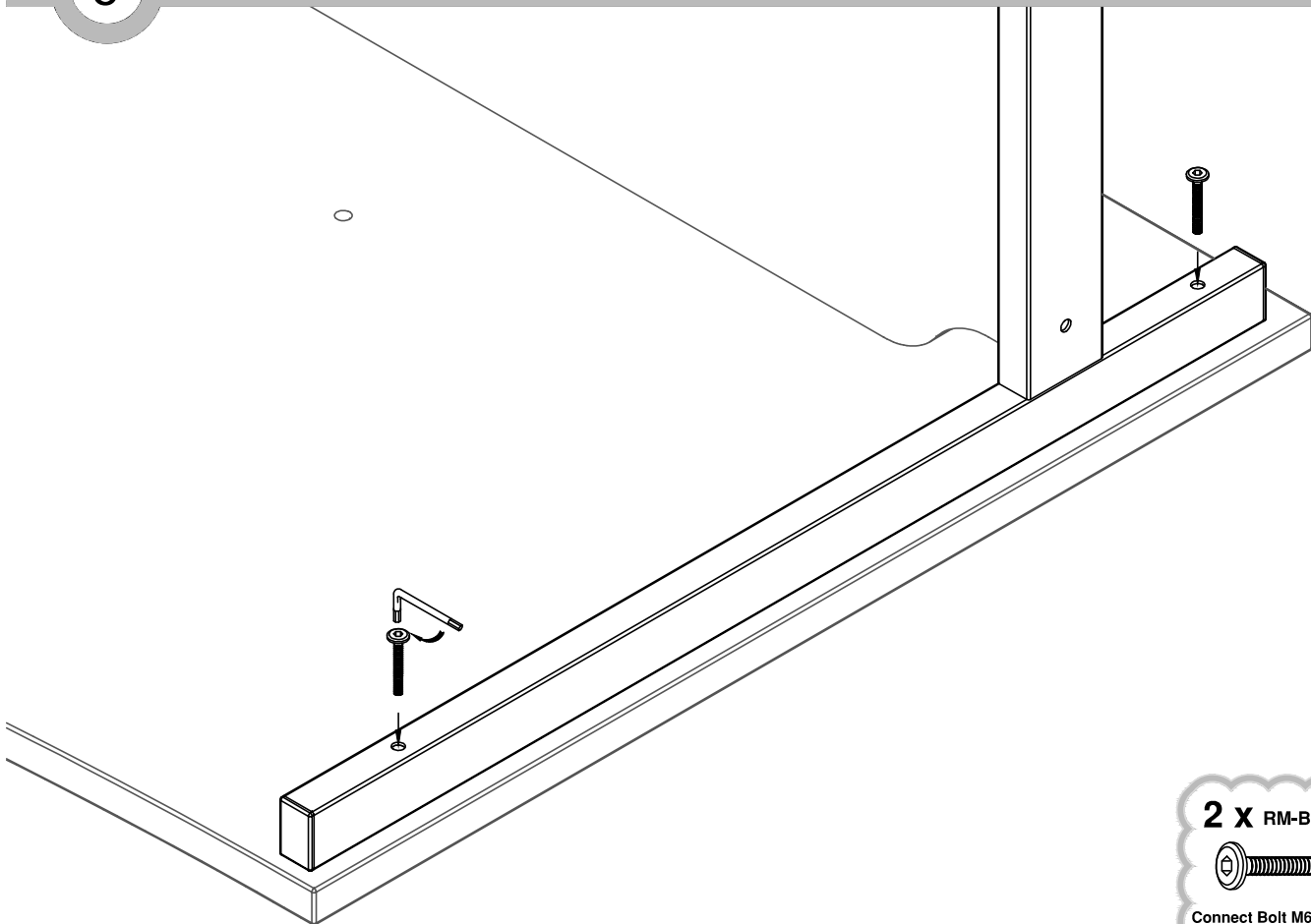
5



2 Man Lift Required



6

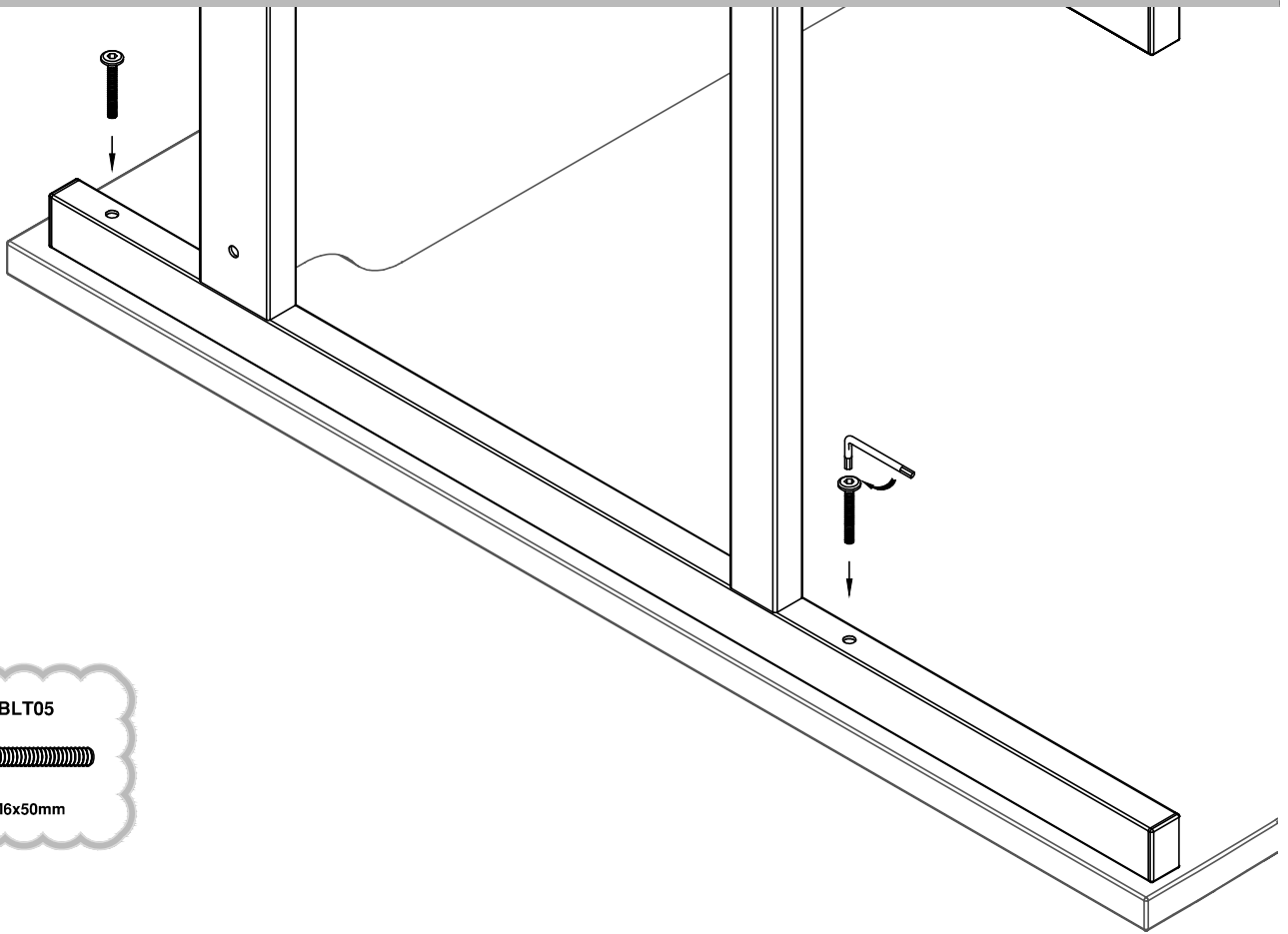


2 X RM-BLT05



Connect Bolt M6x50mm

7

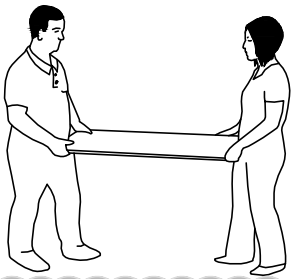


2 X RM-BLT05



Connect Bolt M6x50mm

8



2 Man Lift Required

