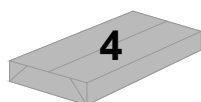
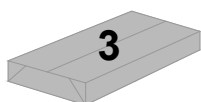
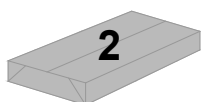
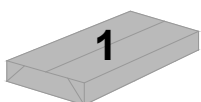
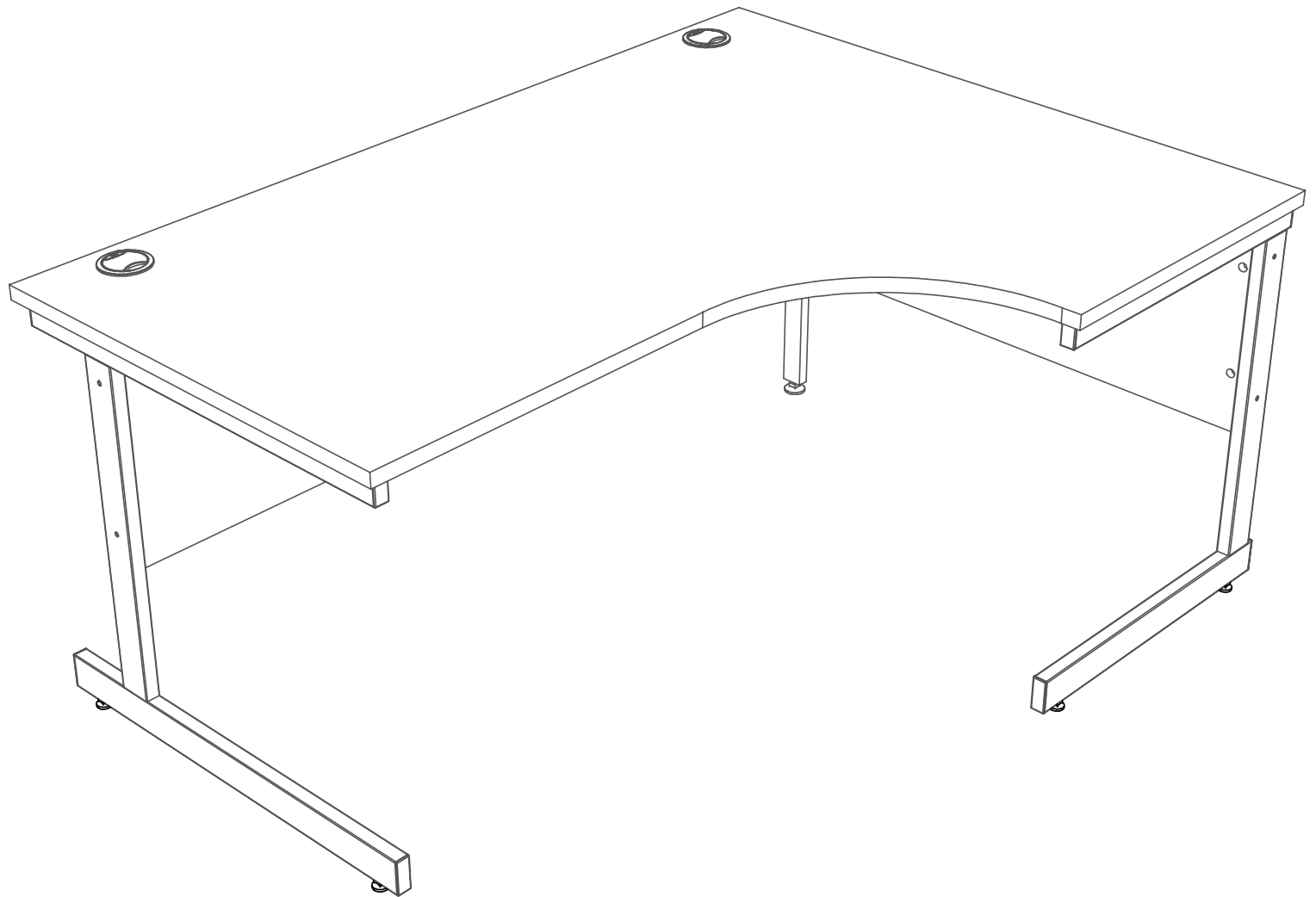
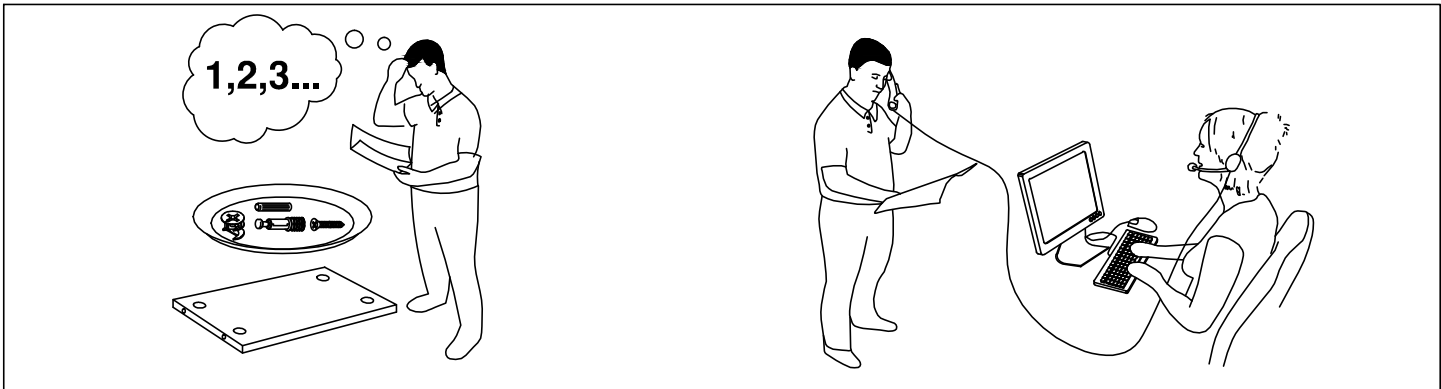
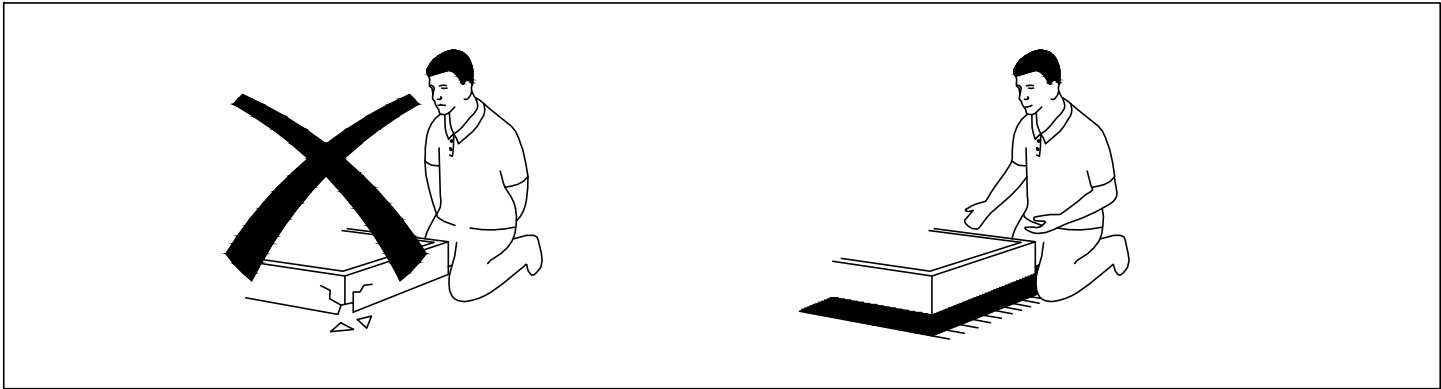
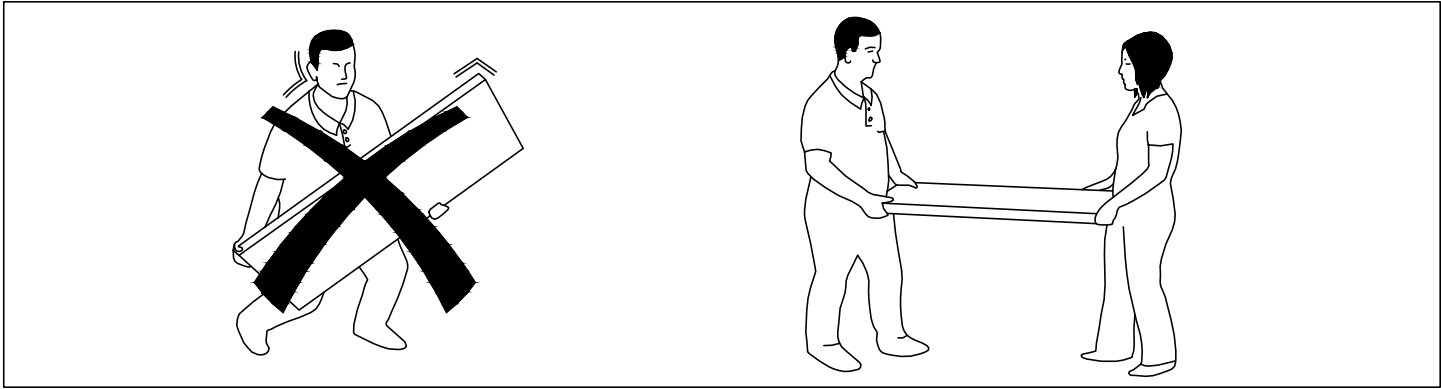
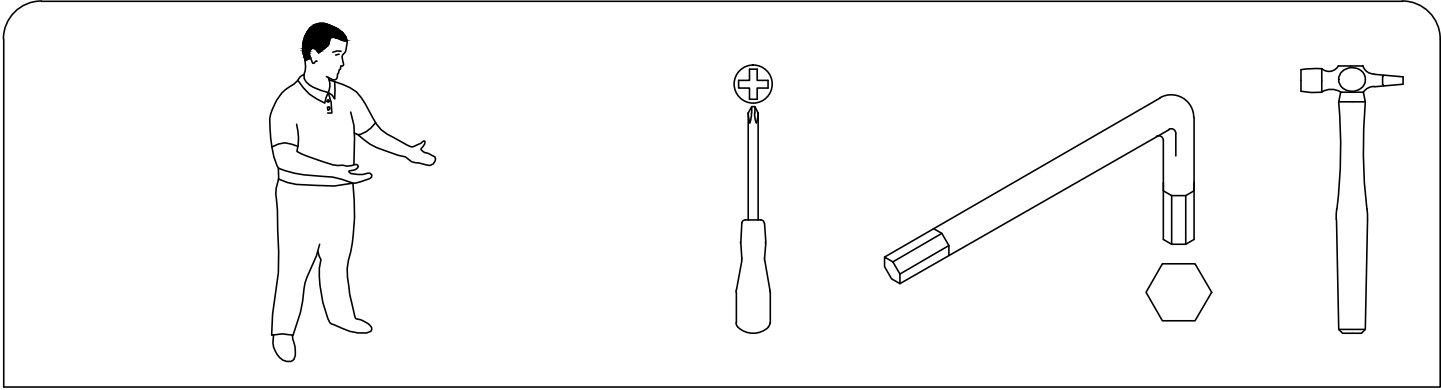
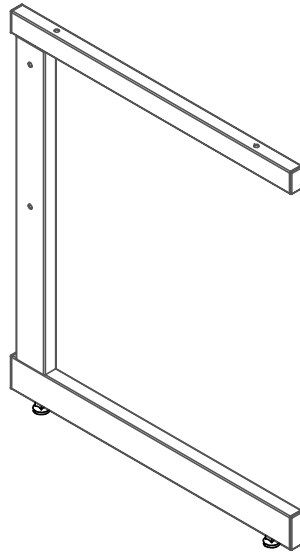
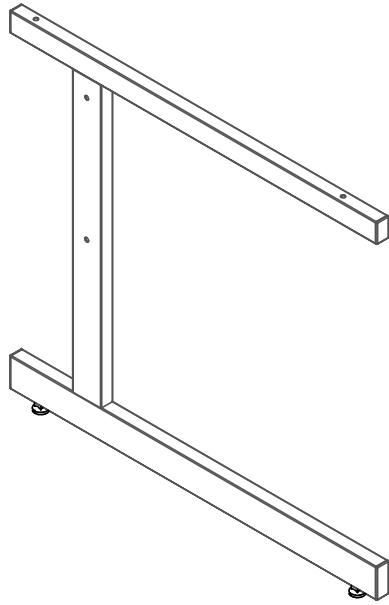
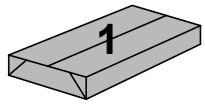


Contract Ergonomic Desk CLFE

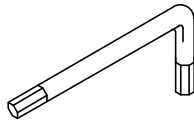




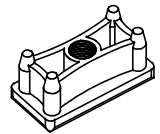
**Before disposing of any packaging
Please check that you have all the fittings!**



1 4mm Allen Key
RM-ALK01



1 M8 Tapped Ferrul 40x20
RM-FRL10



2 Nylon M6x10 Socket
RM-PAR05



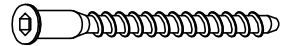
2 3/4" x 7 Screw
RM-SCR37



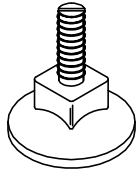
2 M6x8 Brass Insert
RM-PAR03



6 Confirmat Screw 70mm
RM-CFM02 (Black - CLFEG)
or
RM-CFM04 (Zinc - CLFES)



5 Adjustable Foot Dia 25mm
RM-FRL19



4 Connect Bolt M6x50mm
RM-BLT05



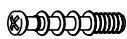
2 Cam 15N
RM-CAM03



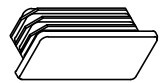
4 Ferrul 40x25
RM-FRL25 (Silver - CLFES)
or
RM-FRL09 (Graphite - CLFEG)



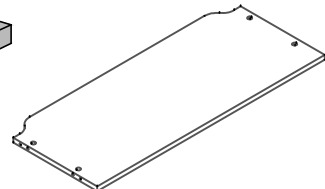
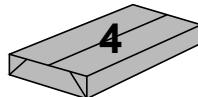
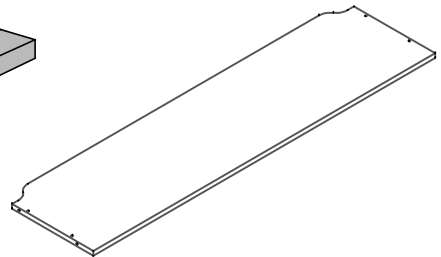
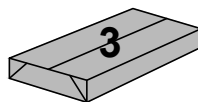
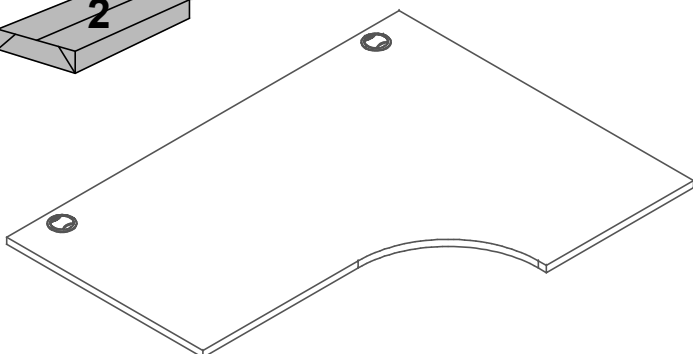
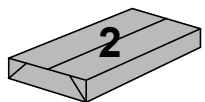
2 Mini Fix Pin 24mm
RM-PIN04



4 Ferrul 60x25
RM-FRL33 (Silver - CLFES)
or
RM-FRL39 (Graphite - CLFEG)



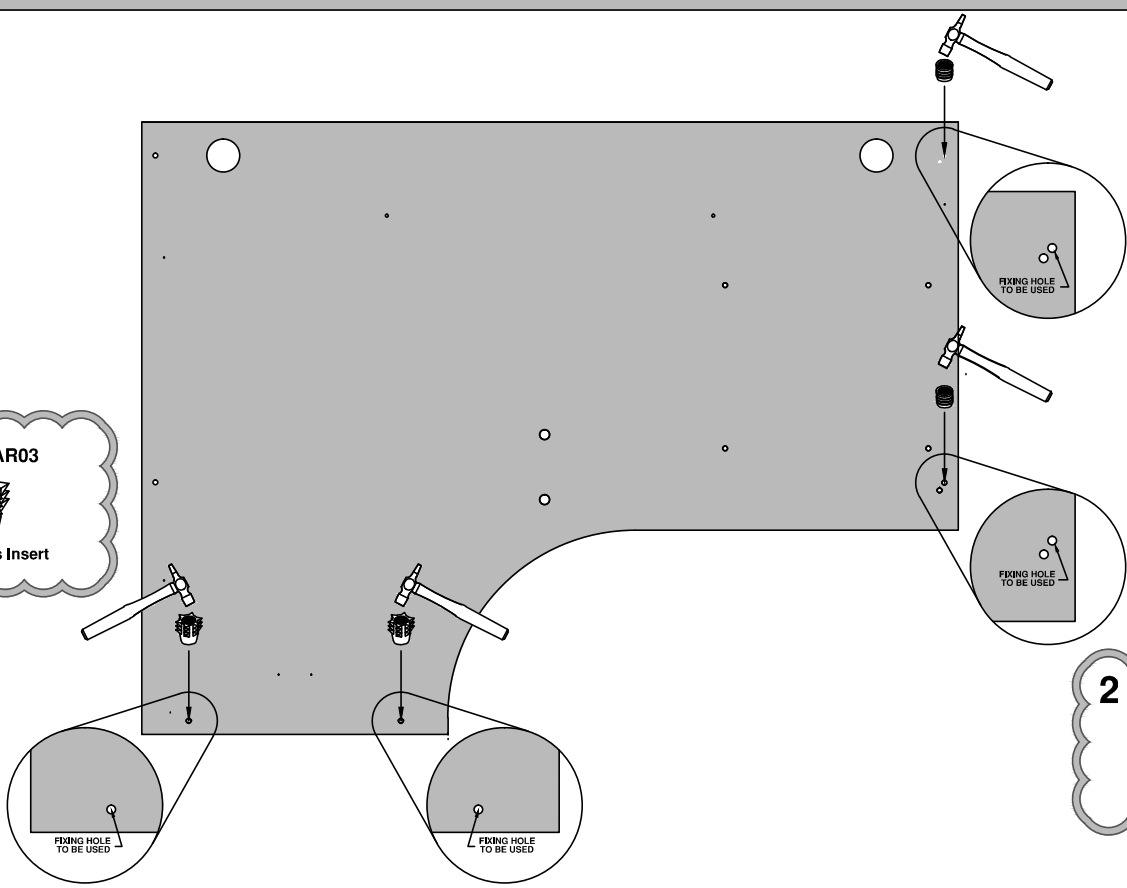
2 15mm Cover Cap
RM-CAP16 (Light Grey - CLFES)
or
RM-CAP15 (Graphite - CLFEG)



CABLE PORTS SUPPLIED WITH DESK TOP

1

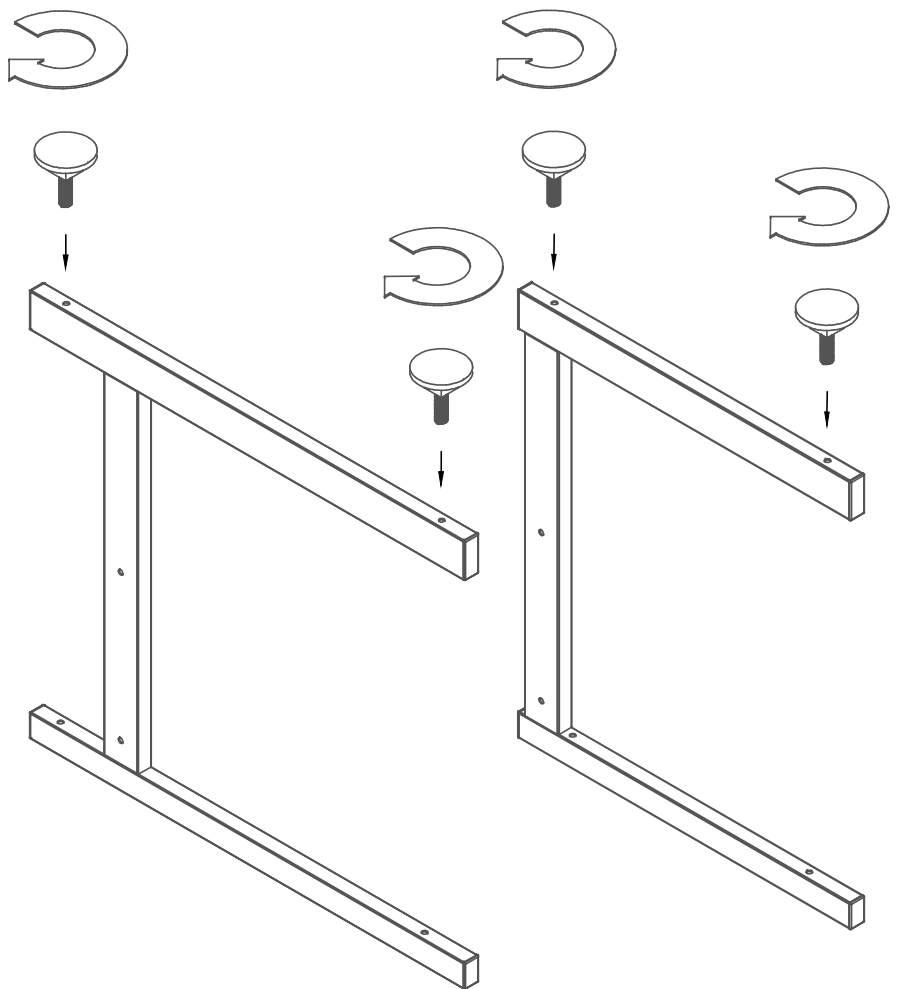
2 X RM-PAR03
M6x8 Brass Insert



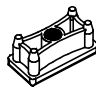
2 X RM-PAR05
Nylon M6x10 Socket

2

4 X RM-FRL19
Adjustable Foot Dia 25mm




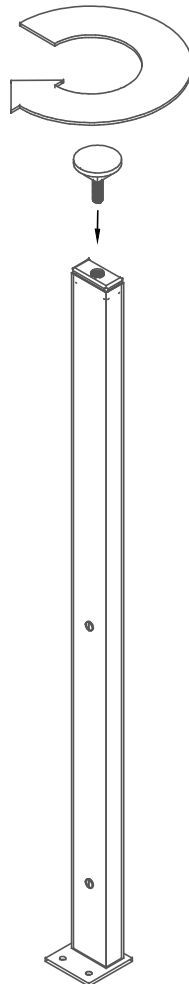
3

1 X RM-FRL10

M8 Tapped Ferrul 40x20



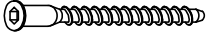
4

1 X RM-FRL20

Adjustable Foot Dia 38mm

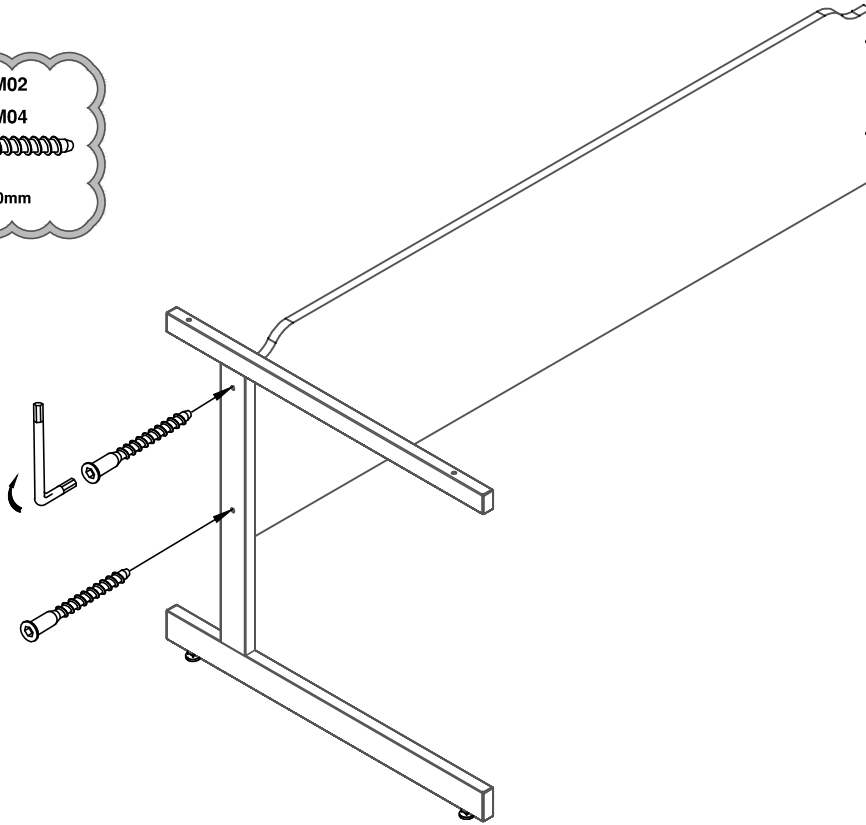


5

2 x RM-CFM02
or
RM-CFM04

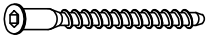


Confirmat Screw 70mm

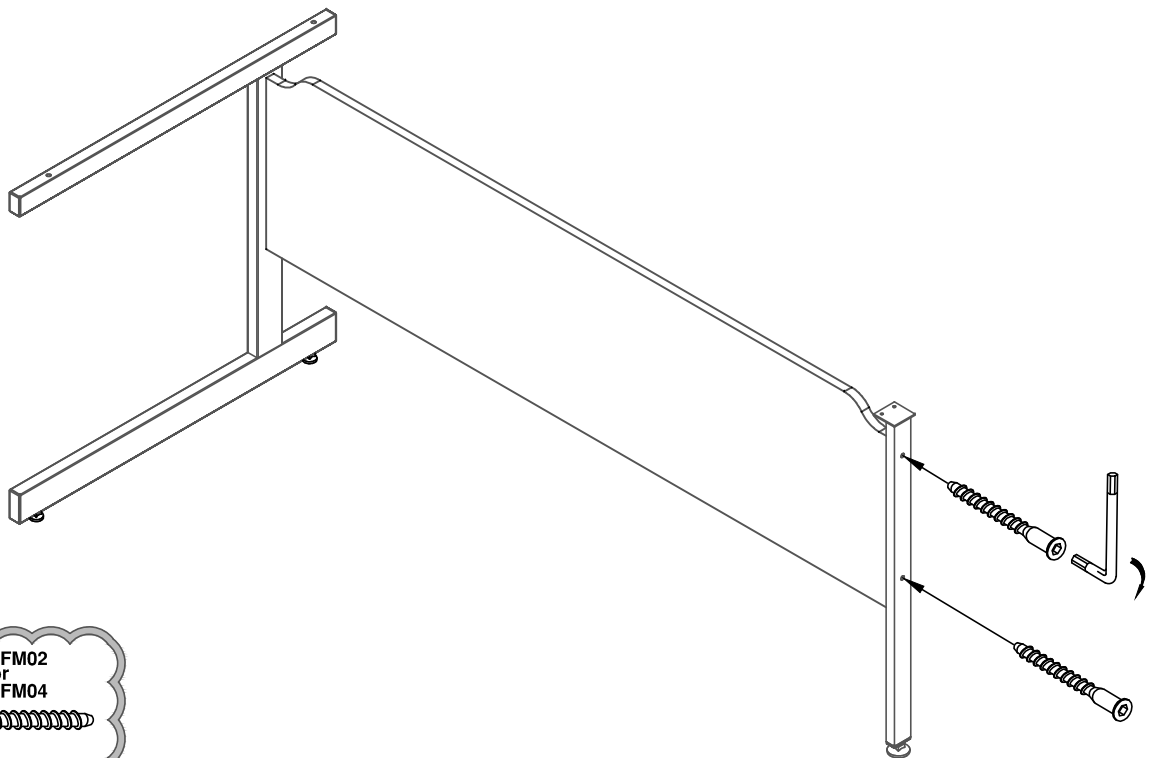


6

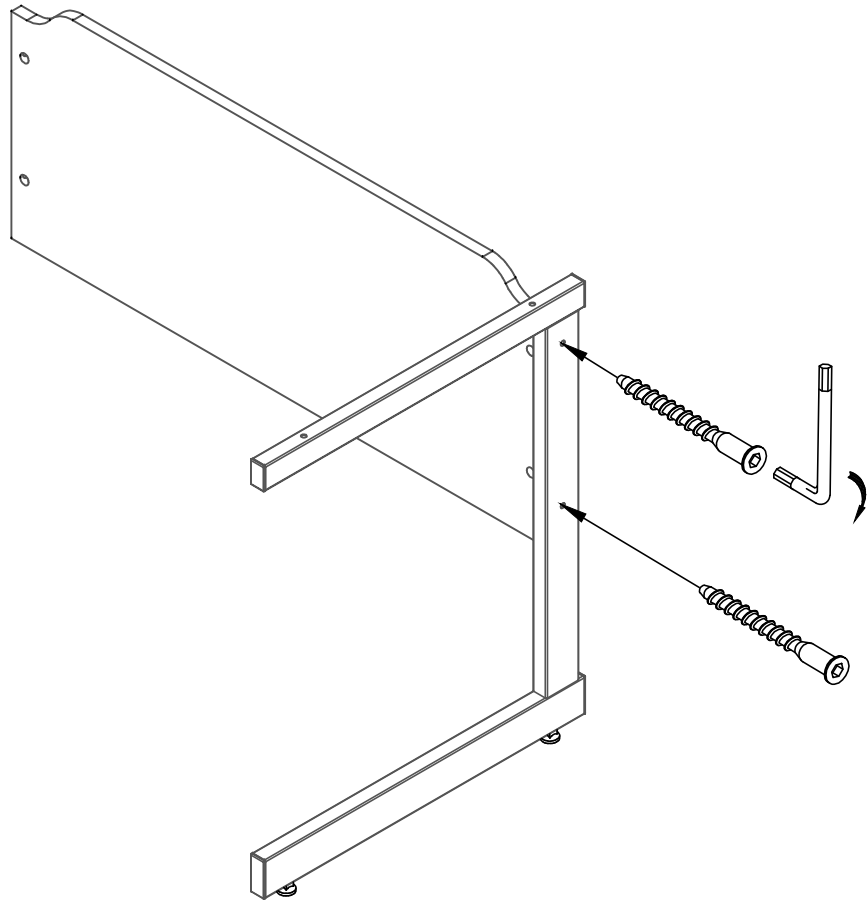
2 x RM-CFM02
or
RM-CFM04



Confirmat Screw 70mm



7



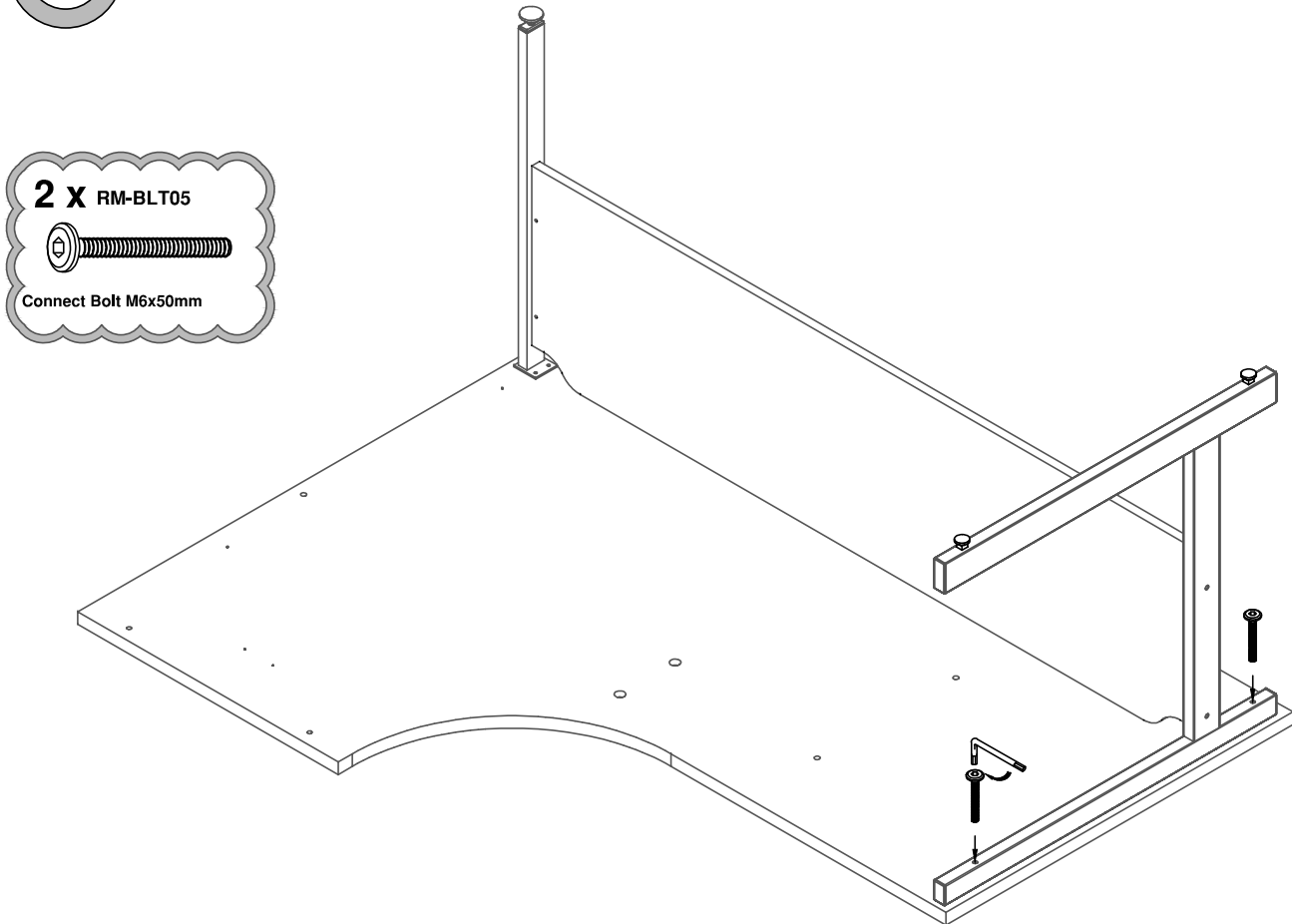
2 x

RM-CFM02
or
RM-CFM04



Confirmat Screw 70mm

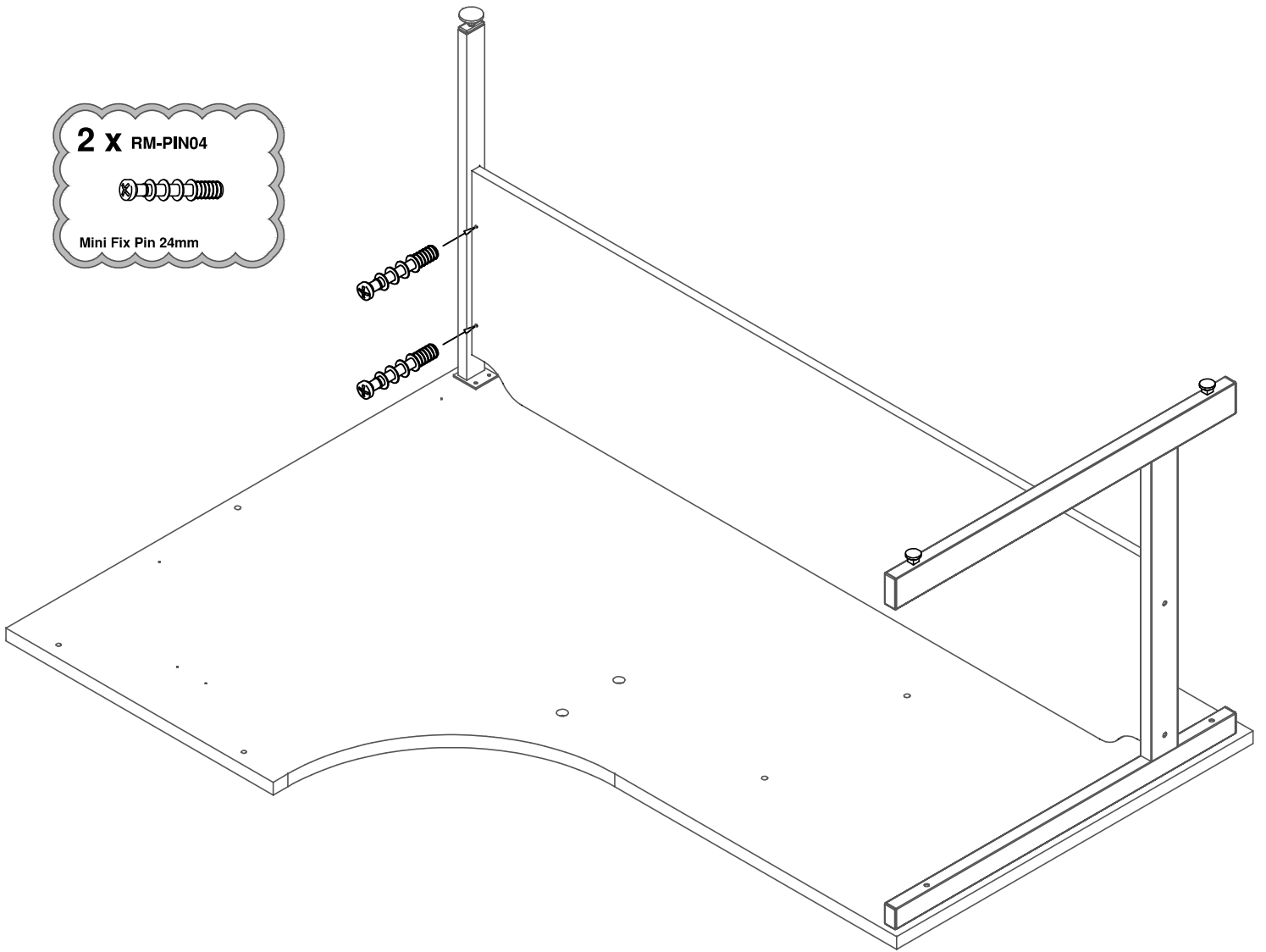
8




2 x RM-BLT05



Connect Bolt M6x50mm

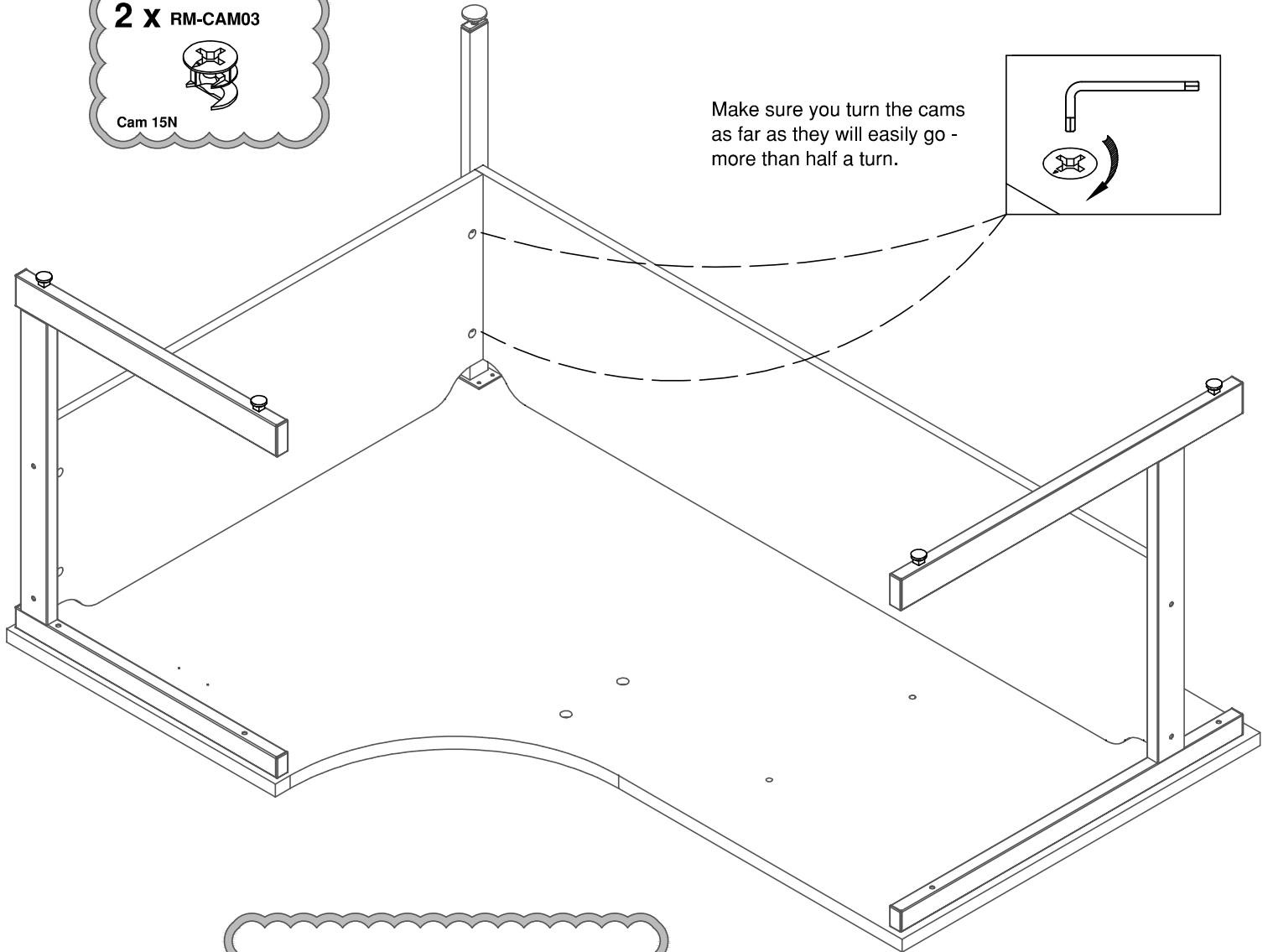
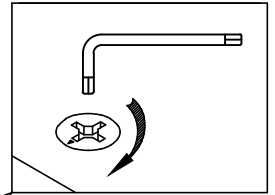





2 X RM-CAM03



Cam 15N

Make sure you turn the cams as far as they will easily go - more than half a turn.



CAM			
		EDGE	EDGE

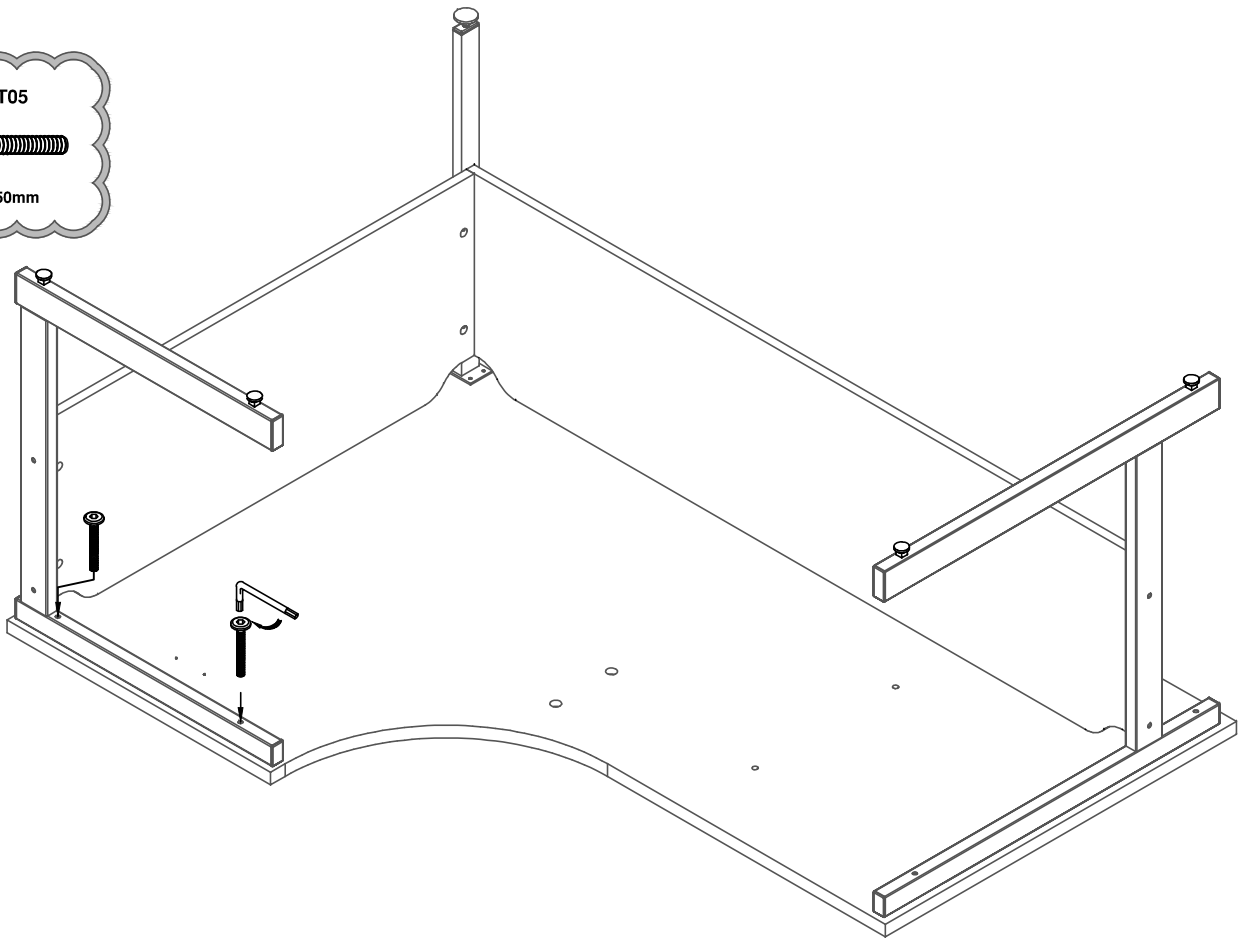
Insert the cam into the 'surface' hole with the arrow aimed at the adjacent edge which has the smaller hole.

11

2 X RM-BLT05



Connect Bolt M6x50mm

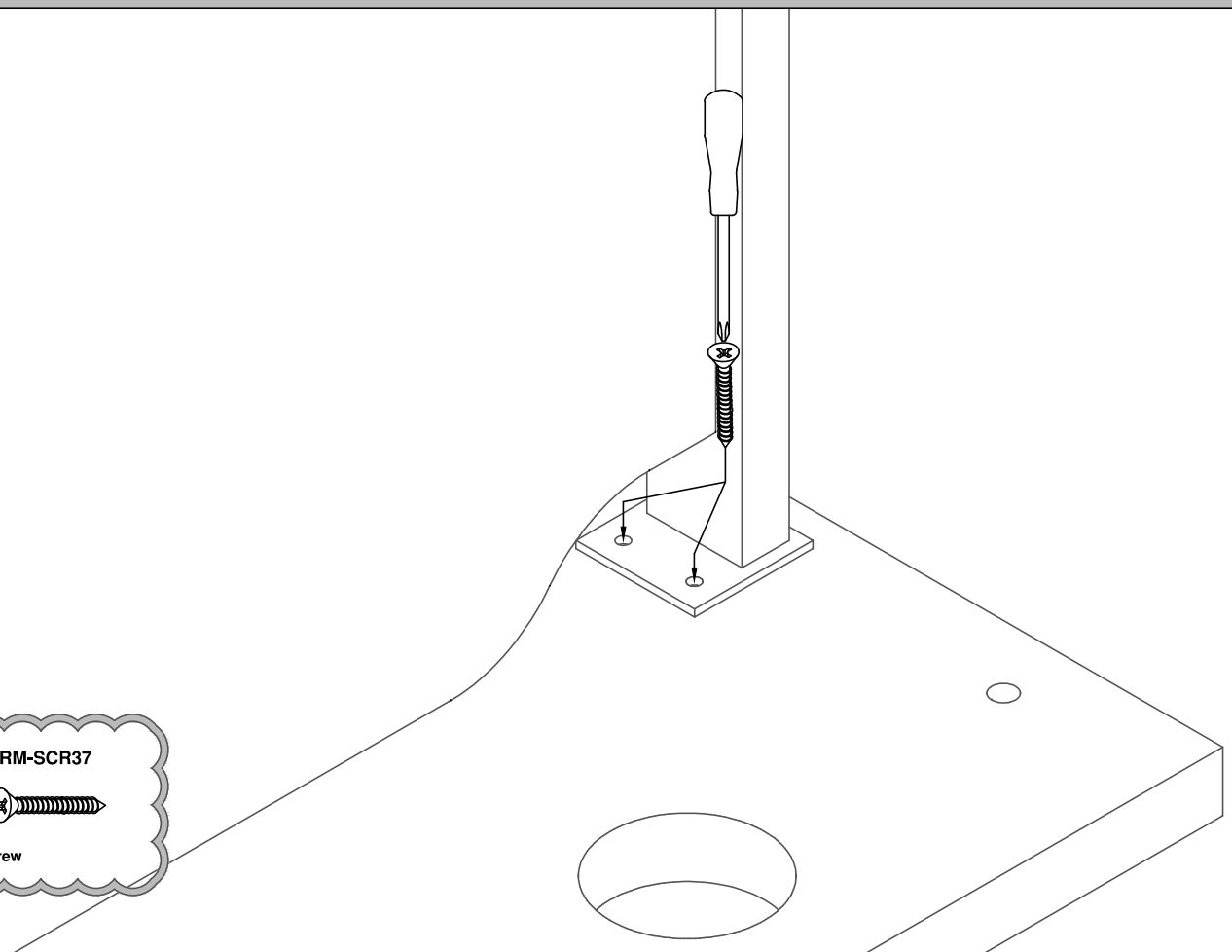


12

2 X RM-SCR37



3/4" x 7 Screw

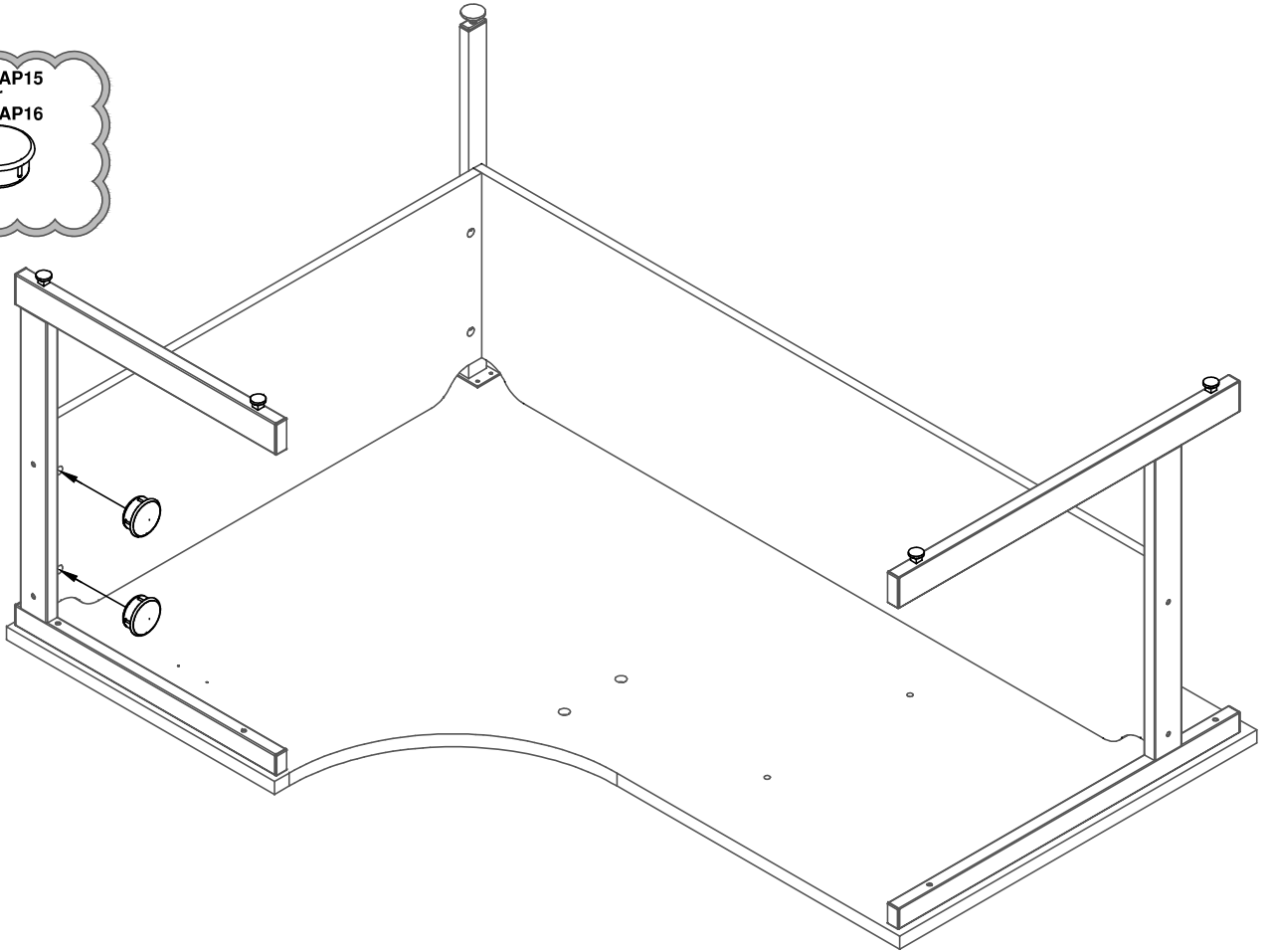


13

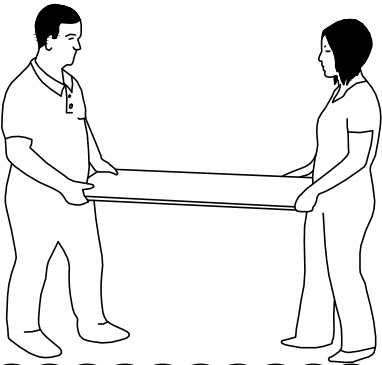
2 x RM-CAP15
or
RM-CAP16



15mm Cover Cap



14



2 Man Lift Required

