

# ASSEMBLY INSTRUCTIONS

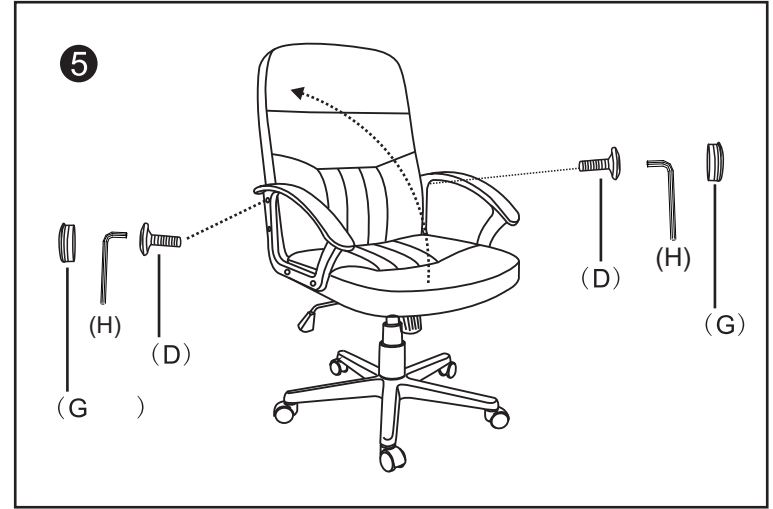
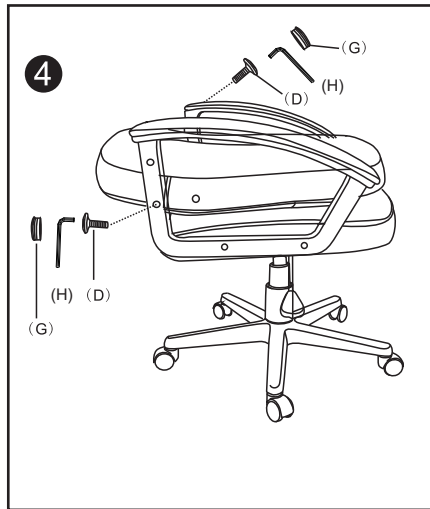
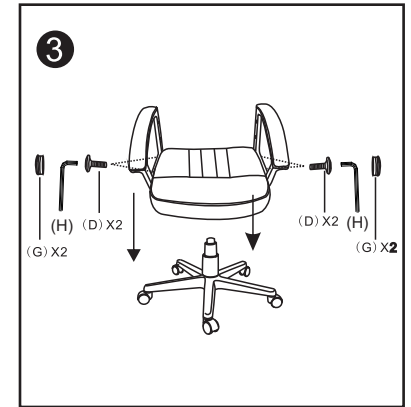
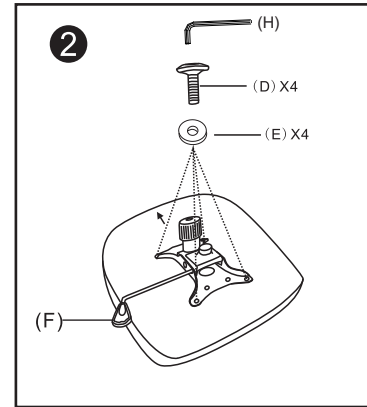
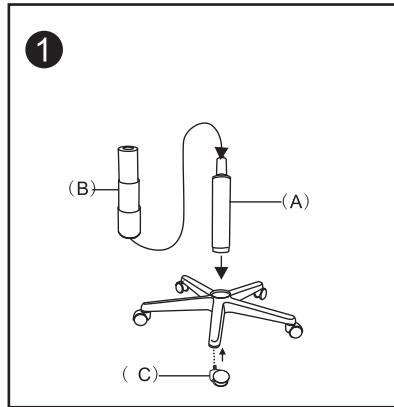
Please note that all fittings are packed with chair gas lift.



- (A) 1PC
- (B) 1PC
- (C) 5PCS
- (D) 12PCS
- (E) 4PC
- (F) 1PC
- (G) 8PC
- (H) 1PC

**dams** CAV300T1

Do not tighten bolts fully until you have completed assembly.  
 "Should you require any assistance in assembling your goods please contact customer services on 0151 548 7111 between 9am/4:30pm.



## WARNING

- DO NOT USE THIS CHAIR AS A STEPLADDER
- USE THIS PRODUCT ONLY FOR SEATING ONE PERSON AT A TIME
- DO NOT USE THIS CHAIR UNLESS ALL BOLTS,SCREWS AND KNOBS ARE FIRMLY SECURED
- AT LEAST EVERY 4 MONTHS CHECK ALL BOLTS,SCREWS AND KNOBS TO BE SURE THEY REMAIN TIGHT
- IF PARTS ARE MISSING,BROKEN,DAMAGED OR WORN,STOP USING THE PRODUCT UNTIL REPAIRS ARE MADE USING AUTHORIZED PARTS
- FAILURE TO FOLLOW THESE INSTRUCTIONS/WARNINGS COULD RESULT IN SERIOUS INJURY