

ASSEMBLY INSTRUCTIONS

A-4 PCS



Legs

B-4 PCS
60mm



Screw

C-4 PCS



Spring washer

D-4 PCS

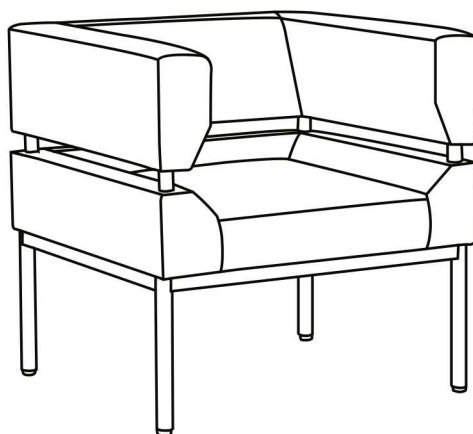


washer

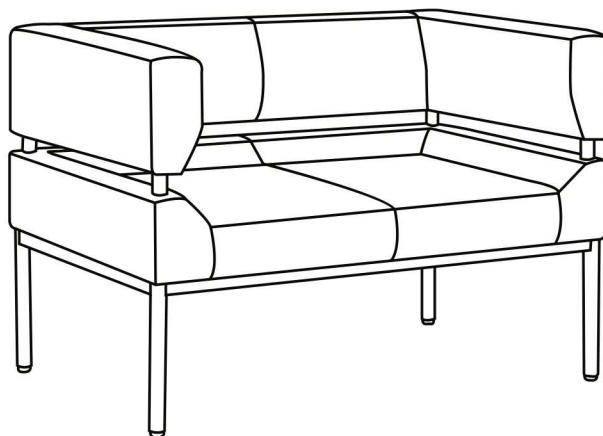
E-1 PC



Allen key



BEN50001

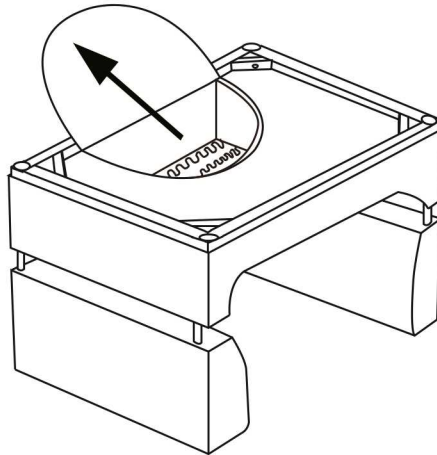


BEN50002

dams 

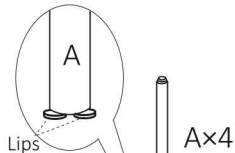
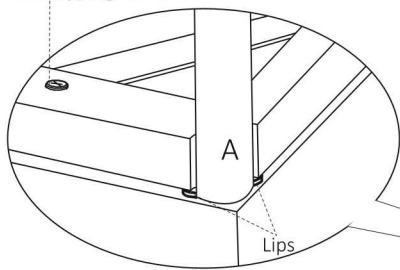
Do not tighten bolts fully until you have completed assembly.
Please note the fixing screws are located in their fixing points if not found in the parts bag.
Should you require any assistance in assembling your goods please contact customer services on 0151 548 7111 between 9am/4:30pm.

1 Please unzip and remove all the parts from within the base.

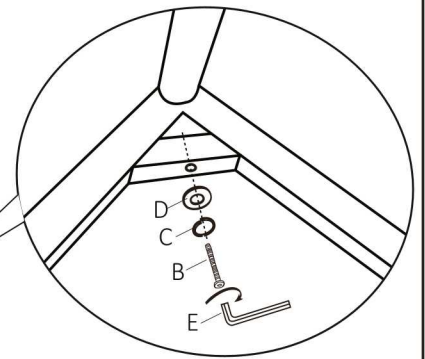
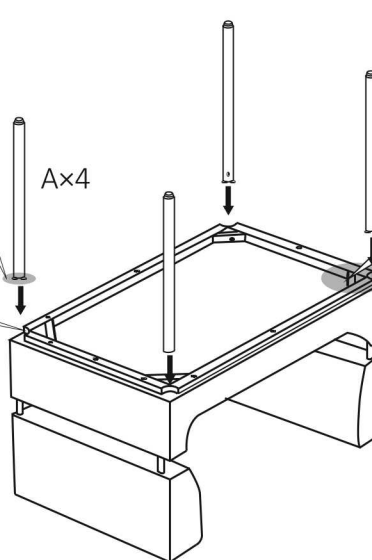


2

Self tapping screw



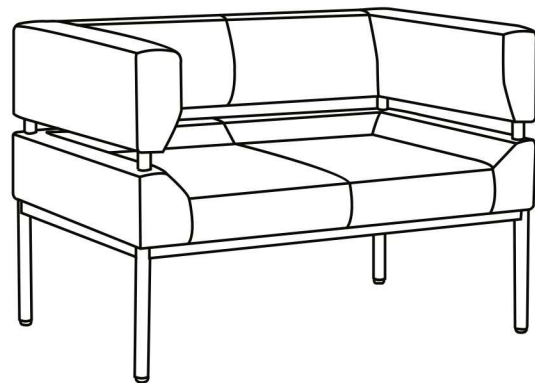
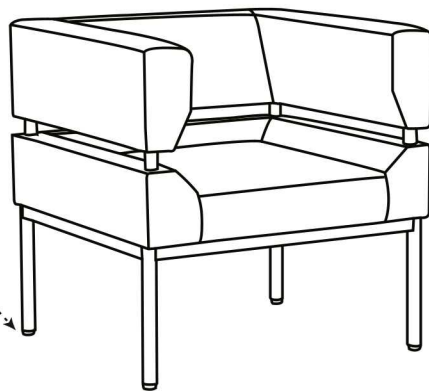
Ax4



Please make sure the lips at the top of the leg are located under the edge of the frame. If you have difficulty locating the lips into the correct position, loosen the self tapping screws either side of the leg fitment, which will release the frame from the underside of the seat to create the small gap needed to slide the lips under the frame. Connect the leg and then re-tighten the screws.

3

Adjustable feet



WARNING

- DO NOT STAND ON THIS CHAIR.
- DO NOT USE THIS CHAIR AS A STEP LADDER.
- USE THIS PRODUCT FOR SEATING ONE PERSON AT A TIME ONLY.
- DO NOT USE THIS CHAIR UNLESS ALL BOLTS, SCREWS AND KNOBS ARE FIRMLY SECURED.
- AT LEAST EVERY 6 MONTHS, CHECK ALL BOLTS, SCREWS AND KNOBS TO BE SURE THEY ARE TIGHT.
- IF PARTS ARE MISSING, BROKEN, DAMAGED OR WORN, STOP USING THIS PRODUCT UNTIL REPAIRS ARE MADE USING FACTORY AUTHORISED PARTS.
- FAILURE TO FOLLOW THESE WARNINGS COULD RESULT IN SERIOUS INJURY.