

PRODUCT NAME: Maya Trio Whiteboard with Structure

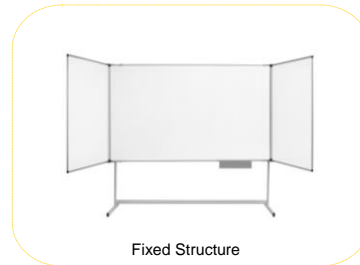
PRODUCT SHORT DESCRIPTION:

Space saving multi surface dry erase boards

FEATURES AND BENEFITS:

- Three times the surface area
- Magnetic steel dry erase surface
- Hides confidential or prepared material
- Optional lacquered steel with cork notice board on front faces
- Robust and durable structure
- Available in three choices of surface
 - Lacquered Steel
 - Lacquered steel with cork
 - Enamel
- Available in fixed and mobile structure
- Lacquered steel pen tray supplied

PRODUCT IMAGE:



MARKETING COPY:

Industrial boards are very important for measuring work efficiency and metrics, improving tracking and visual factory needs.

Bi-silque has developed a wide range of wall presentation solutions from Whiteboards, Trio whiteboards, Rail systems, Display cases to Display stands.

These solutions are also available with fixed and mobile structures which increase flexibility inside the industrial area.

APPLICATION AND SALES PROPOSITION:

- Versatile presentation support
- Easy to expand to a larger presentation area

TARGET MARKET:

CHANNEL: Industrial Sector, Office products wholesalers, office products stores, other retailers and building contractors

END USERS: Industrial Companies, public buildings, public store buildings and private and public buildings in general

ADDITIONAL NOTES:

Other information supports: our official websites, Youtube®, Facebook®, catalogue and online catalogue, demo videos and more.

PROMOTIONAL TIPS:

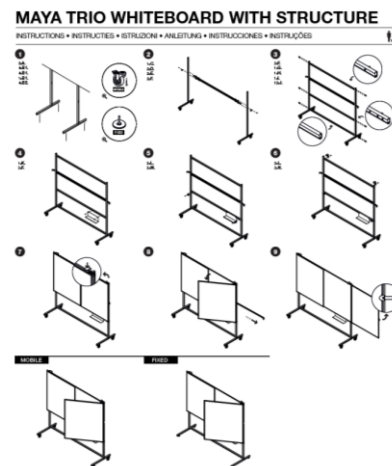
No specific timing, thus we recommend the occasional promotion like product and offering of cleaning kits or markers

RANGING TABLE:

Frame/Colour:	Surface/Colour:	Product	Packed mm	N.W.	G.W. kg	Reference	RRP:
FIXED STRUCTURE		Closed Size					
Aluminium	Enamel	1500x1000	2050x1050x130	37	41,1	TS03011170	---
Aluminium	Enamel	1800x1200	2050x1250x130	49,2	54,5	TS09011170	---
Aluminium	Enamel	2000x1000	2050x1050x130	48	52,1	TS05011170	---
Aluminium	Lacquered steel	1500x1000	2050x1050x130	33	37,1	TS03041170	---
Aluminium	Lacquered steel	1800x1200	2050x1250x130	43,7	49	TS09041170	---
Aluminium	Lacquered steel	2000x1000	2050x1050x130	43	47	TS05041170	---
Aluminium	Lacquered Steel/ Cork	1500x1000	2050x1050x130	30,6	34,7	TS03051170	---
Aluminium	Lacquered Steel/ Cork	1800x1200	2050x1250x130	40,2	45,5	TS09051170	---
Aluminium	Lacquered Steel/ Cork	2000x1000	2050x1050x130	39,8	43,9	TS05051170	---
MOBILE STRUCTURE		Closed Size					
Aluminium	Enamel	1500x1000	2050x1050x130	37,1	41,2	TS03012170	---
Aluminium	Enamel	1800x1200	2050x1250x130	49,3	54,6	TS09012170	---
Aluminium	Enamel	2000x1000	2050x1050x130	48,1	52,2	TS05012170	---
Aluminium	Lacquered steel	1500x1000	2050x1050x130	33,1	37,2	TS03042170	---
Aluminium	Lacquered steel	1800x1200	2050x1250x130	43,8	49,1	TS09042170	---
Aluminium	Lacquered steel	2000x1000	2050x1050x130	43,1	47,1	TS05042170	---
Aluminium	Lacquered Steel/ Cork	1500x1000	2050x1050x130	30,7	34,8	TS03052170	---
Aluminium	Lacquered Steel/ Cork	1800x1200	2050x1250x130	40,3	45,6	TS09052170	---
Aluminium	Lacquered Steel/ Cork	2000x1000	2050x1050x130	40	44	TS05052170	---

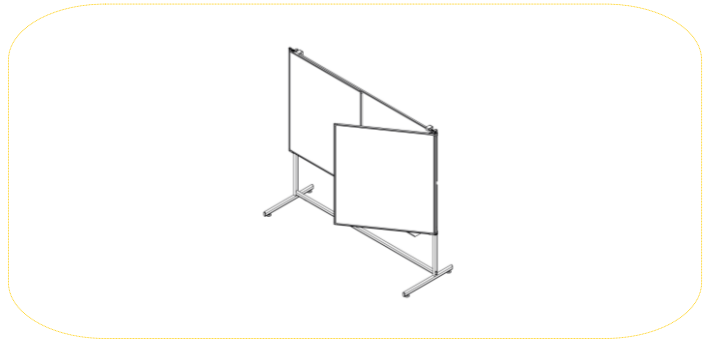
TECHNICAL DETAILS**COMPOSITION:**

- Aluminum frame
- Wooden based core with enamel or lacquered steel surface on chipboard
- Lacquered steel surface: 10 year warranty
- Enamel surface: 25 year warranty

ASSEMBLY OVERVIEW:

CERTIFICATION AND LEGISLATION:

n/a

ILLUSTRATION:**SUGGESTED ADVERT:**

Maya Trio Whiteboard with Structure

Space saving multi surface dry erase boards

- Three times the surface area
- Magnetic steel dry erase surface
- Hides confidential or prepared material
- Optional lacquered steel with cork notice board on front faces
- Robust and durable structure
- Available in three choices of surface
 - Lacquered Steel
 - Lacquered steel with cork
 - Enamel
- Available in fixed and mobile structure
- Lacquered steel pen tray supplied

**WITHIN FAMILY:**

- Horizontal Sliding System with Structure

QR CODE:

Author: Catarina Veiga

Approval:

Revision: 02

Date: 12-09-2017