

## SAMBA **chrome**



### DESCRIPTION

---

#### **Seat and backrest**

- soft, upholstred backrest
- backrest upholstered on both sides

#### **Frame**

- chromium plated or powder coated metal frame

#### **Armrests**

- steel armrests with wooden pads

#### **Other**

- Link-linking chairs in a rows by means of a plastic covers on a chair's legs
- stacking - max 4 pieces

### FINISHES

---

#### **METAL ELEMENTS (chrome/alu/silver)**



**CHROME**



**ALU**

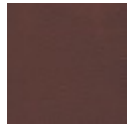
**SPLIT LEATHER**



**SP11**



**SP12**



**SP02**



**SP07**



**SP03**



**SP06**



**SP01**

**Composition:** split leather (1.1 - 1.3 mm)

**CONTRACT**



**YN079**



**YN204**



**YN200**



**YN210**



**YN206**



**YN009**



**YN202**

**Composition:** 100% polyester

**Weight:** 320 g/m<sup>2</sup>

**Abrasion Resistance:** 100 000 Martindale cycles

**Flammability:** EN 1021-1, EN 1021-2, BS 7176 low hazard, BS 7176 medium hazard, BS

5852 Crib 5, NF P 503 M1,

DIN 4102 B1, UNI 9174 Classe 1

**Other:** Recycled EU Flower Certified

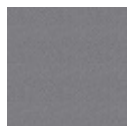
**MICROFIBRA**



**CM35**



**CM43**



**CM59**

**Composition:** 83% polyester, 17% cotton

**Weight:** 355 g/m<sup>2</sup>

**Abrasion Resistance:** 100 000 Martindale cycles

**Flammability:** EN 1021-1, EN 1021-2

**Other:** Zero Spot - protective layer against dirt, stains & water

**MICRO**



**Composition:** 100% polyester

**Weight:** 160 g/m<sup>2</sup>

**Abrasion Resistance:** 50 000 Martindale cycles

**Flammability:** EN 1021-1, EN 1021-2

**Other:**

EN 71-1 safety of toys (mechanical and physical properties)

EN 71-2 safety of toys (flammability)

EN 71-3 safety of toys (migration of certain elements)

### LEATHER IMITATION V



**Composition:** 100% polyester PVC coated

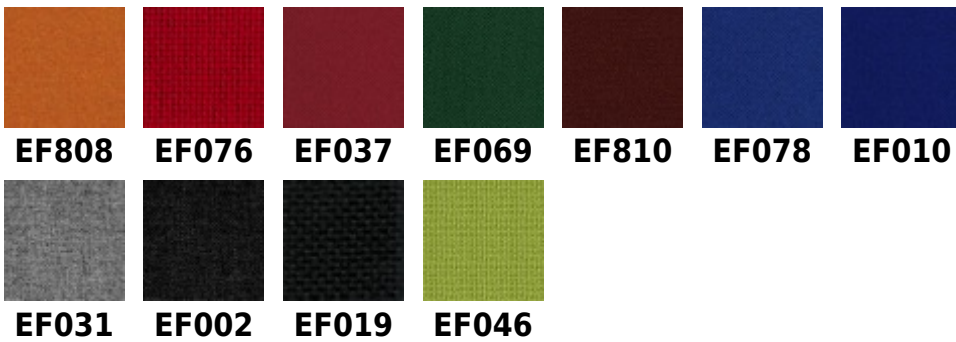
**Weight:** 460 g/m<sup>2</sup>

**Abrasion Resistance:**  $\geq$ 30 000 Martindale cycles

**Flammability:** the selected colours (marked as N) are fire resistant according to EN 1021-1, EN 1021-2, BS 5852-1

**Other:** easy to keep clean

### OBAN



**Composition:** 100% polypropylene

**Weight:** 230 g/m<sup>2</sup>

**Abrasion Resistance:** grade A tested in accordance with EN 14465:2003

**Flammability:** EN 1021-1

**Other:** hygienic certificate by National Hygiene Institute in Poland

### LUCIA



**Composition:** 100% polyester

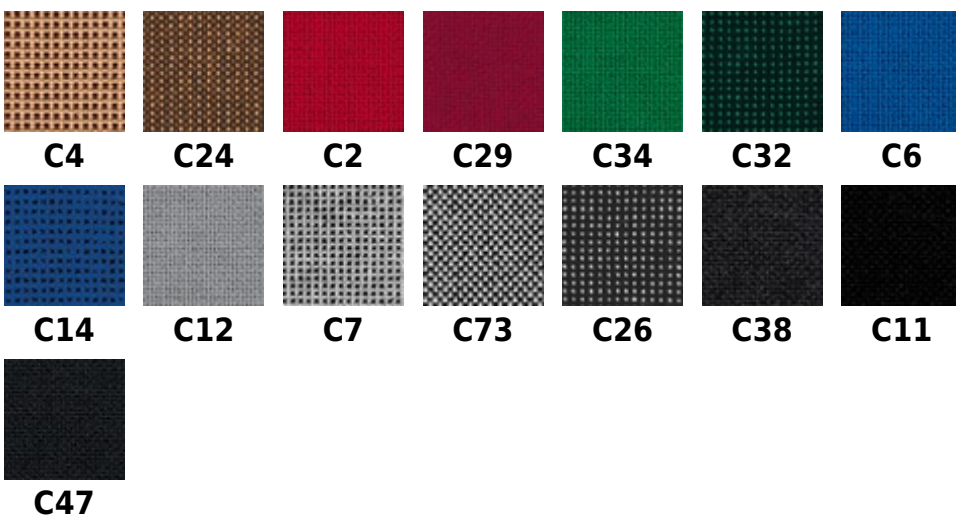
**Weight:** 260g/m<sup>2</sup>

**Abrasion Resistance:** 50 000 Martindale cycles

**Flammability:** EN 1021-1, EN 1021-2, BS 7176 low hazard, BS 476 Class 1

**Other:** Recycled EU Flower Certified

### BASIC FABRIC C



**Composition:** 100% synthetic fibre

**Weight:** 225 g/m<sup>2</sup>

**Abrasion Resistance:** >=35 000 Martindale cycles

## BONDAI



**Composition:** 100% polyester

**Weight:** 250 g/m<sup>2</sup>

**Abrasion Resistance:** 150 000 Martindale cycles

**Flammability:** EN 1021-1, EN 1021-2, BS 7176 medium hazard, BS 5852 Crib 5

## VALENCIA



**Composition:** upper layer: 100% vinyl, bottom layer: 100% polyester Hi-Loft

**Weight:** 650 g/m<sup>2</sup>

**Abrasion Resistance:** 300 000 Martindale cycles

**Flammability:** EN 1021-1, EN 1021-2, DIN 4102 B2, NF P 92-503 M2, Önorm B 3825, Önorm A 3800-1 Q1

**Other:** EN 71-3 Safety of toys (migration of certain elements)

PERMABLOK3® - superior antibacterial, antistain and antifungal protection

## XTREME



**Composition:** 100% polyester FR

**Weight:** 310 g/m<sup>2</sup>

**Abrasion Resistance:** 100 000 Martindale cycles

**Flammability:** EN 1021-1, EN 1021-2, BS 7176 low hazard, BS 7176 medium hazard, BS 5852 Crib 5, DIN 4102 B1, UNI 9174 Classe 1

### FINE LEATHER SD



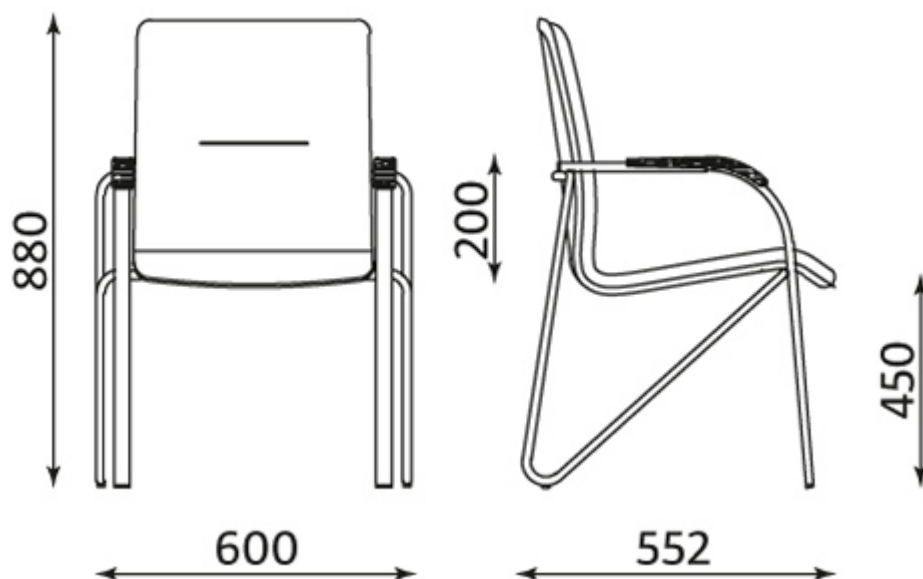
**Composition:** soft grain leather (0.9 - 1.1 mm), thoroughly dyed (completely dyed)

### FINE LEATHER LE



**Composition:** soft grain leather (0,9 - 1,1 mm), thoroughly dyed (completely dyed)

### DIMENSIONS



---

**CONTACT**

Nowy Styl Sp. z o.o.  
Pużaka 49  
38-400 Krosno  
Tel. +48 13 43 76 100  
Fax +48 13 43 62 732  
info@nowystylgroup.com

**Export Department**

Mięsowicza 6  
38-400 Krosno  
Poland  
Tel. +48 13 43 76 111  
export@nowystylgroup.com

**Marketing Department**

Warszawska 15  
32-086 Węgrzce  
Poland  
Tel. +48 12 63 98 602